



IDM140-411S

IDM

MOBILE HANDHELD SCANNERS

SICK
Sensor Intelligence.



Ordering information

Type	Part no.
IDM140-411S	6080729

Other models and accessories → www.sick.com/IDM



Detailed technical data

Features

Version	Standard Range
Application	Standard application
Scanner design	Cable connection variant
Light source	LED, Visible, Red, 630 nm
Reading distance	20 mm ... 850 mm
Scanning frequency	≤ 500 Hz
Code resolution	≥ 0.076 mm

Mechanics/electronics

Supply voltage	5 V DC, ± 10 %
Current consumption	Operation: 180 mA Standby: 80 mA
Housing color	Black/gray
Enclosure rating	IP52
Weight	157 g, without cable
Dimensions (L x W x H)	98 mm x 71 mm x 157 mm

Performance

Readable code structures	1D codes, Stacked
Bar code types	Code 39, Code 39 Full ASCII, Code 32, Code 128, GS1-128, Codabar, Code 11, Code 93, GS1 DataBar, Standard and Industrial 2 of 5, Interleaved & Matrix 2 of 5, IATA, UPC / EAN / JAN, UPC / EAN / JAN (with addition), Telepen, MSI/Plessey, UK/Plessey, Australian Post, China Post, German Post, US Planet, US Postnet, British Post, Intelligent Mail, Japan Post, Korea Post, Dutch KIX Post, Posi LAPA 4 State Code
Stacked code types	PDF417, MicroPDF417, Composite Code

Interfaces

Ethernet	✓, TCP/IP
Type of fieldbus integration	Optional, over external connection module CDF600-2
PROFINET	✓

	Type of fieldbus integration	Optional over external fieldbus module CDF600-2
	Function	PROFINET Single Port, PROFINET Dual Port
EtherCAT		✓
	Type of fieldbus integration	Optional over external fieldbus module CDF600
Serial		✓, RS-232 TTL
PROFIBUS DP		✓
	Type of fieldbus integration	Optional over external fieldbus module CDF600-2
USB		✓
	Function	Keyboard wedge, COM-Port emulation
Optical indicators		2 LEDs (operational status, good read)
Acoustic indicators		Beeper, can be switched off
Vibration		No
Configuration software		IDM Setup Tool

Ambient data

Shock resistance	25 drops from 1.8 m height on concrete
Ambient operating temperature	-10 °C ... +50 °C
Storage temperature	-40 °C ... +70 °C
Permissible relative humidity	± 95 %, Non-condensing
Ambient light immunity	100,000 lx

General notes

Note	A connecting cable and possibly a power supply unit are still required for commissioning. Not free of paint wetting impairment substances.
-------------	--

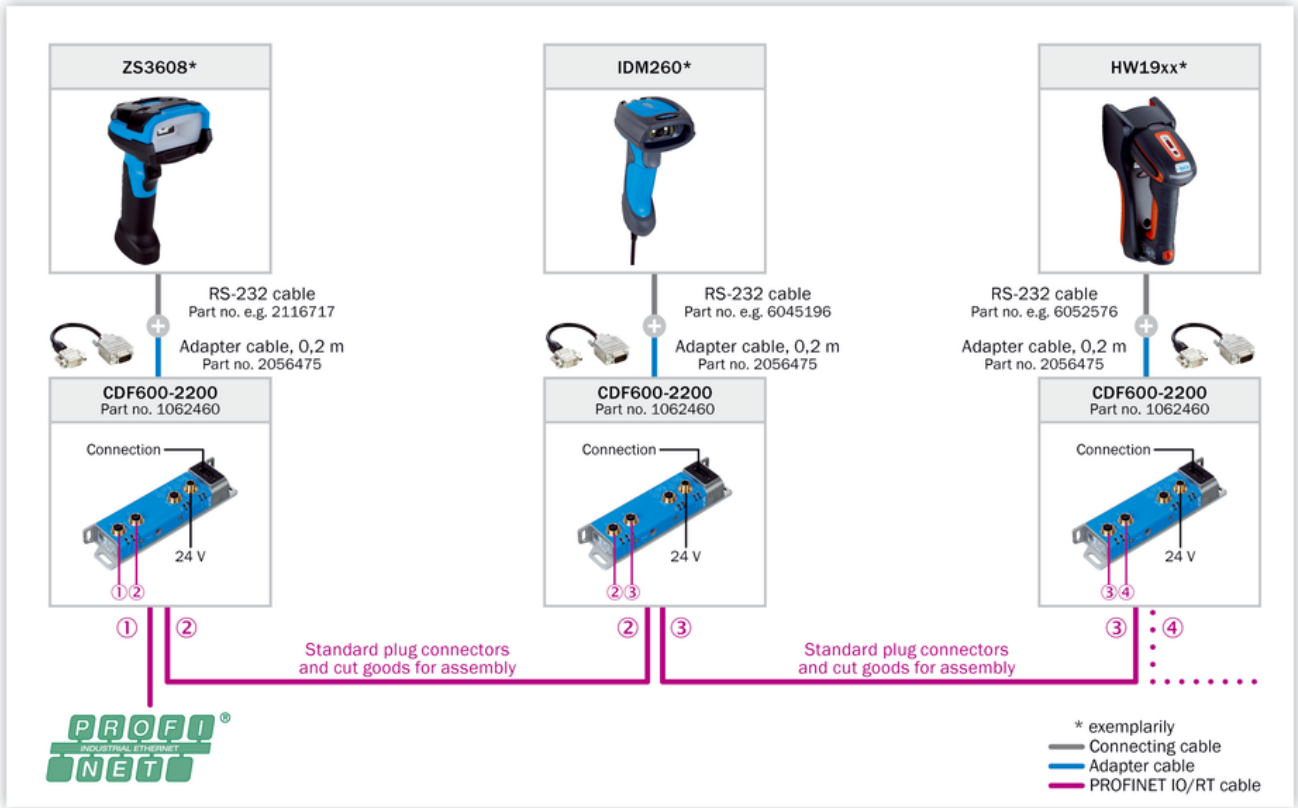
Classifications

ECLASS 5.0	27280101
ECLASS 5.1.4	27280101
ECLASS 6.0	27280101
ECLASS 6.2	27280101
ECLASS 7.0	27280101
ECLASS 8.0	27280101
ECLASS 8.1	27280101
ECLASS 9.0	27280101
ECLASS 10.0	27280101
ECLASS 11.0	27280101
ECLASS 12.0	27280101
ETIM 5.0	EC002550
ETIM 6.0	EC002550
ETIM 7.0	EC002550
ETIM 8.0	EC002550
UNSPSC 16.0901	43211701

Connection diagram

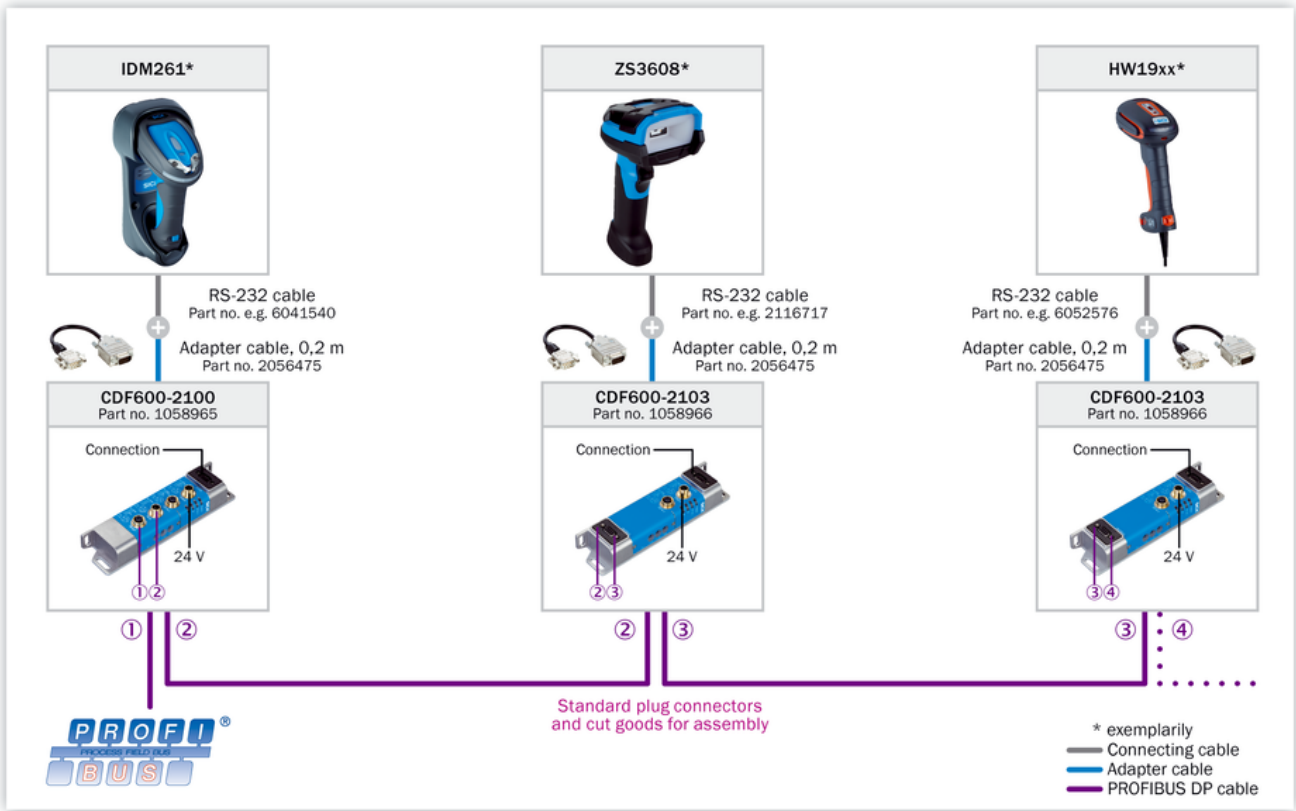
PROFINET IO/RT

PROFINET IO/RT



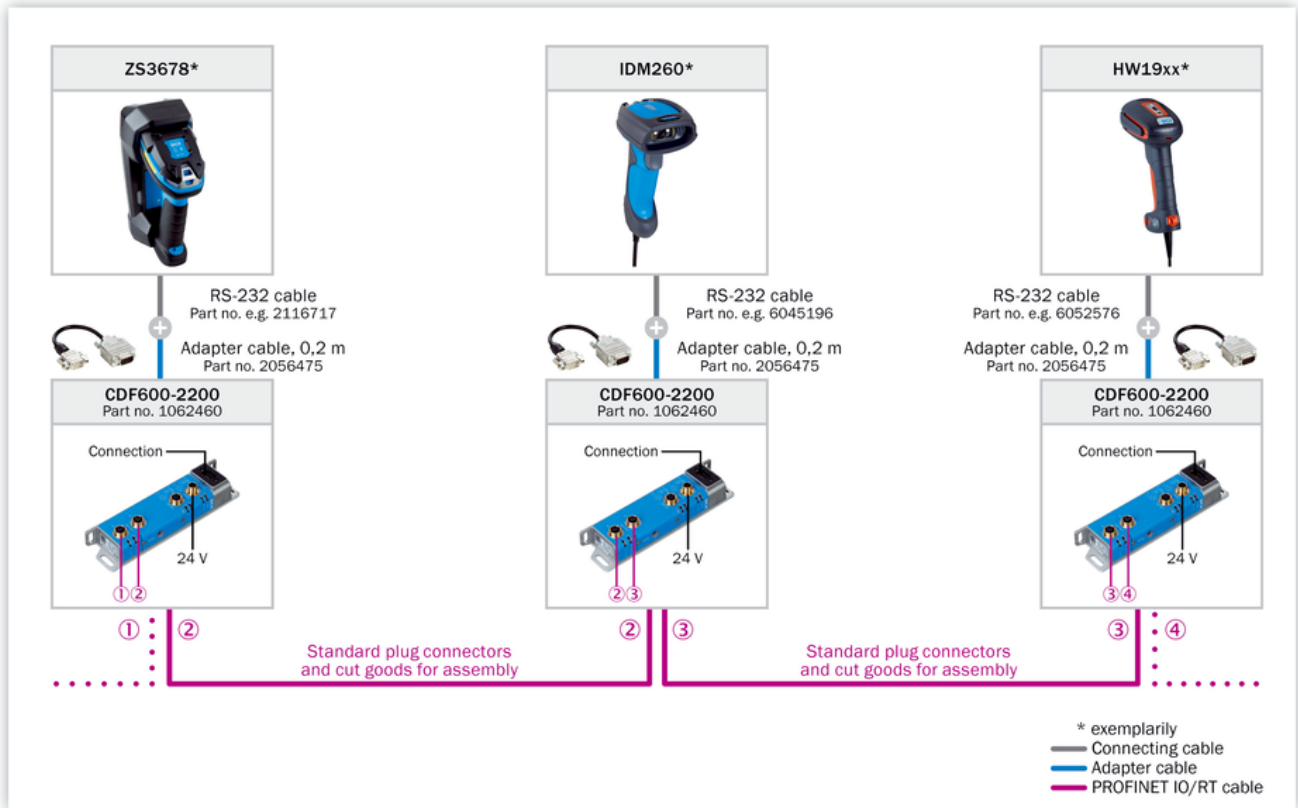
PROFIBUS DP

PROFIBUS DP



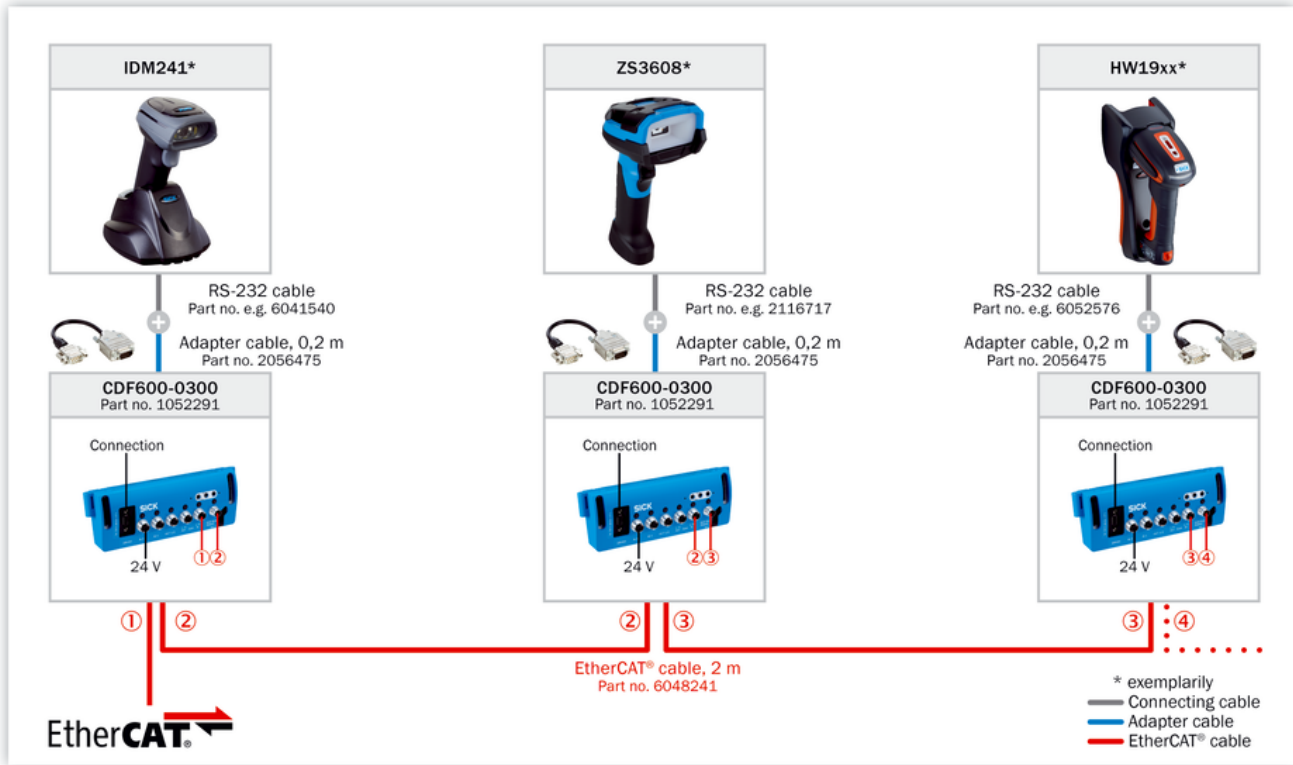
Ethernet TCP/IP

Ethernet TCP/IP



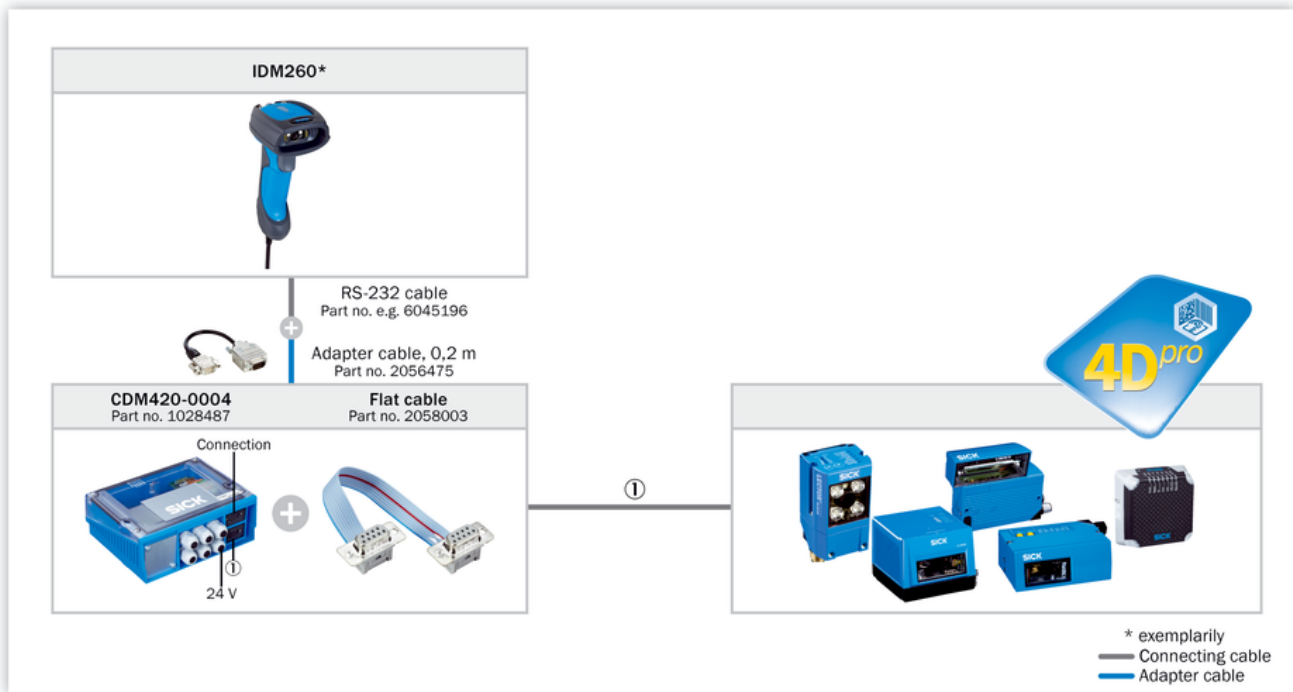
EtherCAT®

EtherCAT®



AUX looping

Looping-in via AUX



Selection Guide





*1) For EtherNet/IP third party gateway is required from e.g. Control or HMS (requires local sourcing).

Recommended accessories

Other models and accessories → www.sick.com/IDM

	Brief description	Type	Part no.
Fieldbus modules			
	Connection kit for connecting a hand-held scanner to a PROFINET (Siemens) interface	Hand-held scanner PROFINET kit	1101488
	Adapter for connecting a handheld scanner to CDB620 / CDM420 / CDF600 / CD-F600-2, D-Sub 9-pin male connector, D-Sub 15-pin male connector, including 24V / 5V DC converter, AUX port adapter, for handheld scanners to CDB620/CDM420/ CDF600/CD-F600-2, adapter AUX port	YMHDAC-C30XXXMSA9	2056475
Other mounting accessories			
	Tripod mount	Stand mount	6036724
	Desk holder	Table mount	6036723

	Brief description	Type	Part no.
	<ul style="list-style-type: none"> • Connection type head A: Female connector, D-Sub, 9-pin, straight • Connection type head B: Male connector, RJ45 • Signal type: RS-232 • Cable: 2 m, straightened cable • Description: RS-232, unshielded • Note: Voltage via pin 9 or external power supply required 	Connection cable	6081865
	Power supply, input AC 100 ... 240 V, output DC 5 V/2 A (necessary when using RS-232 TTL cable, does not fulfill medical standard EN 60601/ IEC 60601))	Power supply unit	6036722

Recommended services

Additional services → www.sick.com/IDM

	Type	Part no.
Extended warranty		
<ul style="list-style-type: none"> • Product area: Machine vision, LiDAR sensors, safety camera sensors, Safety laser scanners, Safety radar sensors, Radar sensors, Fixed mount barcode scanners, Image-based code readers, RFID, Mobile handheld scanners • Range of services: The services correspond to the scope of the statutory manufacturer warranty (SICK general terms of delivery). • Duration: Five-year warranty from delivery date. 	Extended warranty for a total of five years from delivery date	1680671

SICK AT A GLANCE

SICK is one of the leading manufacturers of intelligent sensors and sensor solutions for industrial applications. A unique range of products and services creates the perfect basis for controlling processes securely and efficiently, protecting individuals from accidents and preventing damage to the environment.

We have extensive experience in a wide range of industries and understand their processes and requirements. With intelligent sensors, we can deliver exactly what our customers need. In application centers in Europe, Asia and North America, system solutions are tested and optimized in accordance with customer specifications. All this makes us a reliable supplier and development partner.

Comprehensive services complete our offering: SICK LifeTime Services provide support throughout the machine life cycle and ensure safety and productivity.

For us, that is “Sensor Intelligence.”

WORLDWIDE PRESENCE:

Contacts and other locations –www.sick.com