



# IM18-05BCP-ZC1

IM Standard

INDUCTIVE PROXIMITY SENSORS

**SICK**  
Sensor Intelligence.



Illustration may differ



### Ordering information

| Type           | Part no. |
|----------------|----------|
| IM18-05BCP-ZC1 | 7902936  |

Other models and accessories → [www.sick.com/IM\\_Standard](http://www.sick.com/IM_Standard)

### Detailed technical data

#### Features

|  |                           |
|--|---------------------------|
| <b>Housing</b>                             | Metric                    |
| <b>Housing</b>                             | Standard design           |
| <b>Thread size</b>                         | M18 x 1                   |
| <b>Diameter</b>                            | Ø 18 mm                   |
| <b>Sensing range <math>S_n</math></b>      | 5 mm                      |
| <b>Safe sensing range <math>S_a</math></b> | 4.05 mm                   |
| <b>Installation type</b>                   | Flush                     |
| <b>Switching frequency</b>                 | 300 Hz                    |
| <b>Connection type</b>                     | Male connector M12, 4-pin |
| <b>Switching output</b>                    | PNP / NPN                 |
| <b>Output function</b>                     | NC / NO                   |
| <b>Output characteristic</b>               | Wire configurable         |
| <b>Electrical wiring</b>                   | DC 4-wire                 |
| <b>Enclosure rating</b>                    | IP67 <sup>1)</sup>        |

<sup>1)</sup> According to EN 60529.

#### Mechanics/electronics

|                                       |                        |
|---------------------------------------|------------------------|
| <b>Supply voltage</b>                 | 10 V DC ... 30 V DC    |
| <b>Ripple</b>                         | ≤ 10 %                 |
| <b>Voltage drop</b>                   | ≤ 1.2 V <sup>1)</sup>  |
| <b>Time delay before availability</b> | ≤ 200 ms               |
| <b>Hysteresis</b>                     | 2 % ... 10 %           |
| <b>Reproducibility</b>                | ≤ 5 % <sup>2) 3)</sup> |

<sup>1)</sup> At  $I_a$  max.

<sup>2)</sup> Supply voltage  $U_B$  and constant ambient temperature  $T_a$ .

<sup>3)</sup> Of  $S_r$ .

|   |                                  |
|---|----------------------------------|
| <b>Temperature drift (of S<sub>r</sub>)</b> | ± 10 %                           |
| <b>EMC</b>                                  | According to EN 60947-5-2        |
| <b>Continuous current I<sub>a</sub></b>     | ≤ 100 mA                         |
| <b>Short-circuit protection</b>             | ✓                                |
| <b>Power-up pulse protection</b>            | ✓                                |
| <b>Shock and vibration resistance</b>       | 30 g, 11 ms / 10 ... 55 Hz, 1 mm |
| <b>Ambient operating temperature</b>        | -25 °C ... +70 °C                |
| <b>Housing material</b>                     | Brass, Nickel-plated brass       |
| <b>Sensing face material</b>                | Plastic                          |
| <b>Housing length</b>                       | 74 mm                            |
| <b>Thread length</b>                        | 45 mm                            |
| <b>Tightening torque, max.</b>              | ≤ 40 Nm                          |

<sup>1)</sup> At I<sub>a</sub> max.

<sup>2)</sup> Supply voltage U<sub>B</sub> and constant ambient temperature T<sub>a</sub>.

<sup>3)</sup> Of S<sub>r</sub>.

### Reduction factors

|                                   |  |
|-----------------------------------|--|
| <b>Note</b>                       | The values are reference values which may vary |
| <b>Stainless steel (V2A, 304)</b> | Approx. 0.8                                    |
| <b>Aluminum (Al)</b>              | Approx. 0.45                                   |
| <b>Copper (Cu)</b>                | Approx. 0.4                                    |

### Installation note

|               |                                       |
|---------------|---------------------------------------|
| <b>Remark</b> | Associated graphic see "Installation" |
| <b>A</b>      | 9 mm                                  |
| <b>B</b>      | 18 mm                                 |
| <b>C</b>      | 18 mm                                 |
| <b>D</b>      | 15 mm                                 |
| <b>E</b>      | 3.6 mm                                |
| <b>F</b>      | 40 mm                                 |

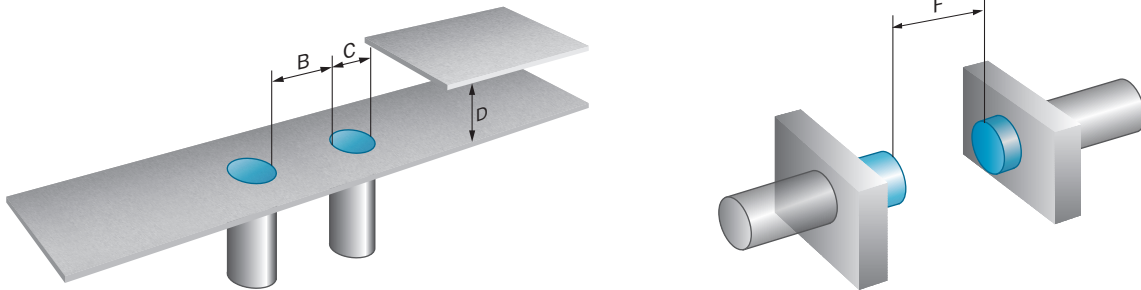
### Classifications

|                     |          |
|---------------------|----------|
| <b>ECLASS 5.0</b>   | 27270101 |
| <b>ECLASS 5.1.4</b> | 27270101 |
| <b>ECLASS 6.0</b>   | 27270101 |
| <b>ECLASS 6.2</b>   | 27270101 |
| <b>ECLASS 7.0</b>   | 27270101 |
| <b>ECLASS 8.0</b>   | 27270101 |
| <b>ECLASS 8.1</b>   | 27270101 |
| <b>ECLASS 9.0</b>   | 27270101 |
| <b>ECLASS 10.0</b>  | 27270101 |
| <b>ECLASS 11.0</b>  | 27270101 |
| <b>ECLASS 12.0</b>  | 27274001 |
| <b>ETIM 5.0</b>     | EC002714 |

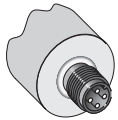
|                       |          |
|-----------------------|----------|
| <b>ETIM 6.0</b>       | EC002714 |
| <b>ETIM 7.0</b>       | EC002714 |
| <b>ETIM 8.0</b>       | EC002714 |
| <b>UNSPSC 16.0901</b> | 39122230 |

### Installation note

Flush installation



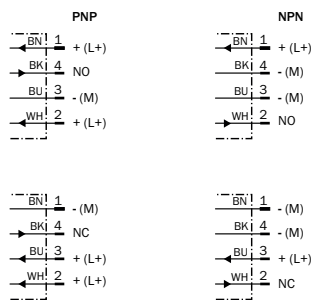
### Connection type



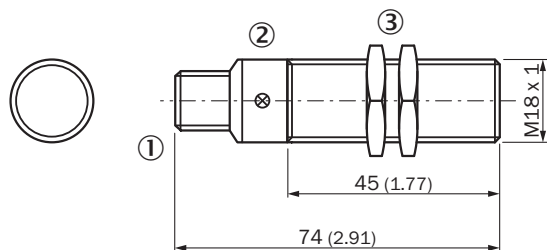
Connection diagram



Cd-029



Dimensional drawing (Dimensions in mm (inch))





- ① Connection
- ② Display LED
- ③ Fastening nuts (2x); width across 24, metal

### Recommended accessories

Other models and accessories → [www.sick.com/IM\\_Standard](http://www.sick.com/IM_Standard)

|   | Brief description  | Type               | Part no. |
|---|--|--------------------|----------|
| <b>Mounting brackets and plates</b>   |  |                    |          |
|    | Mounting plate for M18 sensors, steel, zinc coated, without mounting hardware  | BEF-WG-M18         | 5321870  |
|    | Mounting bracket for M18 sensors, steel, zinc coated, without mounting hardware  | BEF-WN-M18         | 5308446  |
| <b>Terminal and alignment brackets</b>  |  |                    |          |
|    | Clamping block for round sensors M18, without fixed stop, plastic (PA12), glass-fiber reinforced, mounting hardware included   | BEF-KH-M18         | 2051481  |
| <b>Others</b>   |  |                    |          |
|    | <ul style="list-style-type: none"> <li><b>Connection type head A:</b> Female connector, M12, 4-pin, angled, A-coded</li> <li><b>Description:</b> Unshielded, Head A: female connector, M12, 4-pin, angled, unshielded, for power supply, for cable diameter 3 mm ... 6.5 mm Head B: -</li> <li><b>Connection systems:</b> Screw-type terminals</li> <li><b>Permitted cross-section:</b> ≤ 0.75 mm<sup>2</sup></li> </ul>   | DOS-1204-W         | 6007303  |
|    | <ul style="list-style-type: none"> <li><b>Connection type head A:</b> Female connector, M12, 4-pin, straight, A-coded</li> <li><b>Description:</b> Unshielded, Head A: female connector, M12, 4-pin, straight, unshielded, for power supply, for cable diameter 4 mm ... 6 mm Head B: -</li> <li><b>Connection systems:</b> Screw-type terminals</li> <li><b>Permitted cross-section:</b> ≤ 0.75 mm<sup>2</sup></li> </ul> | DOS-1204-G         | 6007302  |
|  | <ul style="list-style-type: none"> <li><b>Connection type head A:</b> Male connector, M12, 4-pin, straight, A-coded</li> <li><b>Description:</b> Unshielded</li> <li><b>Connection systems:</b> Screw-type terminals</li> <li><b>Permitted cross-section:</b> ≤ 0.75 mm<sup>2</sup></li> </ul>   | STE-1204-G         | 6009932  |
|  | <ul style="list-style-type: none"> <li><b>Connection type head A:</b> Male connector, M12, 4-pin, angled, A-coded</li> <li><b>Description:</b> Unshielded</li> <li><b>Connection systems:</b> Screw-type terminals</li> <li><b>Permitted cross-section:</b> ≤ 0.75 mm<sup>2</sup></li> </ul>   | STE-1204-W         | 6022084  |
|  | <ul style="list-style-type: none"> <li><b>Connection type head A:</b> Female connector, M12, 4-pin, straight, A-coded</li> <li><b>Connection type head B:</b> Flying leads</li> <li><b>Signal type:</b> Sensor/actuator cable</li> <li><b>Cable:</b> 2 m, 4-wire, PVC</li> <li><b>Description:</b> Sensor/actuator cable, unshielded</li> <li><b>Application:</b> Zones with chemicals</li> </ul>                          | YF2A14-020VB3XLEAX | 2096234  |
|  | <ul style="list-style-type: none"> <li><b>Connection type head A:</b> Female connector, M12, 4-pin, straight, A-coded</li> <li><b>Connection type head B:</b> Flying leads</li> <li><b>Signal type:</b> Sensor/actuator cable</li> <li><b>Cable:</b> 5 m, 4-wire, PVC</li> <li><b>Description:</b> Sensor/actuator cable, unshielded</li> <li><b>Application:</b> Zones with chemicals</li> </ul>                          | YF2A14-050VB3XLEAX | 2096235  |
|  | <ul style="list-style-type: none"> <li><b>Connection type head A:</b> Female connector, M12, 4-pin, angled, A-coded</li> <li><b>Connection type head B:</b> Flying leads</li> <li><b>Signal type:</b> Sensor/actuator cable</li> <li><b>Cable:</b> 2 m, 4-wire, PVC</li> <li><b>Description:</b> Sensor/actuator cable, unshielded</li> <li><b>Application:</b> Zones with chemicals</li> </ul>                            | YG2A14-020VB3XLEAX | 2095895  |
|  | <ul style="list-style-type: none"> <li><b>Connection type head A:</b> Female connector, M12, 4-pin, angled, A-coded</li> <li><b>Connection type head B:</b> Flying leads</li> <li><b>Signal type:</b> Sensor/actuator cable</li> <li><b>Cable:</b> 5 m, 4-wire, PVC</li> <li><b>Description:</b> Sensor/actuator cable, unshielded</li> <li><b>Application:</b> Zones with chemicals</li> </ul>                            | YG2A14-050VB3XLEAX | 2095897  |

|   | Brief description   | Type                      | Part no.       |
|---|---|---------------------------|----------------|
|  | <ul style="list-style-type: none"> <li>• <b>Connection type head A:</b> Female connector, M12, 4-pin, angled, A-coded</li> <li>• <b>Connection type head B:</b> Flying leads</li> <li>• <b>Signal type:</b> Sensor/actuator cable</li> <li>• <b>Cable:</b> 2 m, 4-wire, PVC</li> <li>• <b>Description:</b> Sensor/actuator cable, unshielded, LED function display</li> <li>• <b>Note:</b> Only suitable for PNP sensors</li> <li>• <b>Application:</b> Zones with chemicals</li> </ul> | <p>Y12A14-020VB3XLEAX</p> | <p>2096222</p> |
|  | <ul style="list-style-type: none"> <li>• <b>Connection type head A:</b> Female connector, M12, 4-pin, angled, A-coded</li> <li>• <b>Connection type head B:</b> Flying leads</li> <li>• <b>Signal type:</b> Sensor/actuator cable</li> <li>• <b>Cable:</b> 5 m, 4-wire, PVC</li> <li>• <b>Description:</b> Sensor/actuator cable, unshielded, LED function display</li> <li>• <b>Note:</b> Only suitable for PNP sensors</li> <li>• <b>Application:</b> Zones with chemicals</li> </ul> | <p>Y12A14-050VB3XLEAX</p> | <p>2096223</p> |

## SICK AT A GLANCE

SICK is one of the leading manufacturers of intelligent sensors and sensor solutions for industrial applications. A unique range of products and services creates the perfect basis for controlling processes securely and efficiently, protecting individuals from accidents and preventing damage to the environment.

We have extensive experience in a wide range of industries and understand their processes and requirements. With intelligent sensors, we can deliver exactly what our customers need. In application centers in Europe, Asia and North America, system solutions are tested and optimized in accordance with customer specifications. All this makes us a reliable supplier and development partner.

Comprehensive services complete our offering: SICK LifeTime Services provide support throughout the machine life cycle and ensure safety and productivity.

For us, that is “Sensor Intelligence.”

## WORLDWIDE PRESENCE:

Contacts and other locations –[www.sick.com](http://www.sick.com)