



IQ04-1B5PSKW2S

IQM

INDUCTIVE PROXIMITY SENSORS

SICK
Sensor Intelligence.



Ordering information

| Type | Part no. |
|----------------|----------|
| IQ04-1B5PSKW2S | 6042017 |

Other models and accessories → www.sick.com/IQM

Illustration may differ



Detailed technical data

Features

| | |
|--|---------------------|
| Housing | Rectangular |
| Dimensions (W x H x D) | 8 mm x 16 mm x 4 mm |
| Sensing range S_n | 1.5 mm |
| Safe sensing range S_a | 1.215 mm |
| Installation type | Flush |
| Switching frequency | 600 Hz |
| Connection type | Cable, 3-wire, 2 m |
| Switching output | PNP |
| Output function | NO |
| Electrical wiring | DC 3-wire |
| Enclosure rating | IP67 ¹⁾ |

¹⁾ According to EN 60529.

Mechanics/electronics

| | |
|--|---------------------------|
| Supply voltage | 10 V DC ... 30 V DC |
| Ripple | ≤ 10 % ¹⁾ |
| Voltage drop | < 1.5 V ²⁾ |
| Time delay before availability | ≤ 10 ms |
| Hysteresis | 1 % ... 15 % |
| Reproducibility | ± 1 % ^{3) 4)} |
| Temperature drift (of S_r) | ± 10 % |
| EMC | According to EN 60947-5-2 |
| Continuous current I_a | ≤ 100 mA |

¹⁾ Of V_S .

²⁾ At I_a max.

³⁾ Supply voltage U_B and constant ambient temperature T_a .

⁴⁾ Of S_r .

| | |
|---------------------------------------|----------------------------------|
| Cable material | PVC |
| Conductor size | 0.09 mm ² |
| Cable diameter | Ø 2.5 mm |
| Short-circuit protection | ✓ |
| Shock and vibration resistance | 30 g, 11 ms / 10 ... 55 Hz, 1 mm |
| Ambient operating temperature | -25 °C ... +70 °C |
| Housing material | Plastic, PA6 |
| Sensing face material | Plastic, PA6 |
| Tightening torque, max. | ≤ 0.06 Nm |

1) Of V_S.

2) At I_a max.

3) Supply voltage U_B and constant ambient temperature Ta.

4) Of S_r.

Safety-related parameters

| | |
|-------------------------------------|-------------|
| MTTF_D | 1,328 years |
| DC_{avg} | 0% |
| T_M (mission time) | 20 years |

Reduction factors

| | |
|-----------------------------------|--|
| Note | The values are reference values which may vary |
| Stainless steel (V2A, 304) | Approx. 0.7 |
| Aluminum (Al) | Approx. 0.4 |
| Copper (Cu) | Approx. 0.3 |
| Brass (Br) | Approx. 0.4 |

Installation note

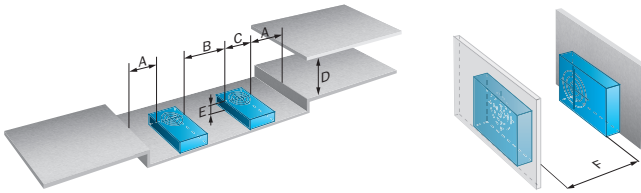
| | |
|---------------|---------------------------------------|
| Remark | Associated graphic see "Installation" |
| A | 0 mm |
| B | 16 mm |
| C | 8 mm |
| D | 4.5 mm |
| E | 0 mm |
| F | 24 mm |

Classifications

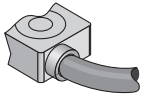
| | |
|---------------------|----------|
| ECLASS 5.0 | 27270101 |
| ECLASS 5.1.4 | 27270101 |
| ECLASS 6.0 | 27270101 |
| ECLASS 6.2 | 27270101 |
| ECLASS 7.0 | 27270101 |
| ECLASS 8.0 | 27270101 |
| ECLASS 8.1 | 27270101 |
| ECLASS 9.0 | 27270101 |
| ECLASS 10.0 | 27270101 |

| | |
|-----------------------|----------|
| ECLASS 11.0 | 27270101 |
| ECLASS 12.0 | 27274001 |
| ETIM 5.0 | EC002714 |
| ETIM 6.0 | EC002714 |
| ETIM 7.0 | EC002714 |
| ETIM 8.0 | EC002714 |
| UNSPSC 16.0901 | 39122230 |

Installation note

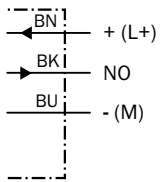


Connection type



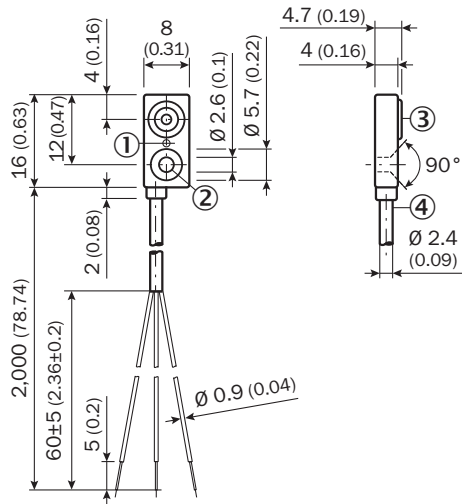
Connection diagram

Cd-001



Dimensional drawing (Dimensions in mm (inch))

IQ04



- ① Function indicator (red)
- ② Fixing hole
- ③ Sensing face
- ④ Connection

SICK AT A GLANCE

SICK is one of the leading manufacturers of intelligent sensors and sensor solutions for industrial applications. A unique range of products and services creates the perfect basis for controlling processes securely and efficiently, protecting individuals from accidents and preventing damage to the environment.

We have extensive experience in a wide range of industries and understand their processes and requirements. With intelligent sensors, we can deliver exactly what our customers need. In application centers in Europe, Asia and North America, system solutions are tested and optimized in accordance with customer specifications. All this makes us a reliable supplier and development partner.

Comprehensive services complete our offering: SICK LifeTime Services provide support throughout the machine life cycle and ensure safety and productivity.

For us, that is “Sensor Intelligence.”

WORLDWIDE PRESENCE:

Contacts and other locations –www.sick.com