

L230-P580C2S00000

Lincoder L230

MAGNETIC LINEAR ENCODERS

SICK
Sensor Intelligence.



Illustration may differ

Ordering information

Type	Part no.
L230-P580C2S00000	1033532

In accordance with Article 2 (4), this product does not fall within the scope of RoHS directive 2011/65/EU and is also not designed for use in products which fall within the scope of this directive. You can find additional information in the product information.

Other models and accessories → www.sick.com/Lincoder_L230



Detailed technical data

Performance

Resolution	156.25 µm
Measurement accuracy	Typ. ± 0.3 mm/m at 20 °C

Interfaces

Communication interface	HIPERFACE®
Position forming time	+ 750 µs

Electrical data

Initialization time	2,500 s
Supply voltage	7 V ... 12 V
Power consumption	4.5 W
Connection type	Male connector, M23, 12-pin

Mechanical data

Weight	0.685 kg
Read head material	AlMgSiPbF28

Ambient data

Enclosure rating	IP65 ¹⁾
Operating temperature range	0 °C ... +70 °C
Storage temperature range	-40 °C ... +100 °C
Resistance to shocks	30 g (DIN EN 61000-2-27)
Resistance to vibration	10 g, 20 Hz ... 250 Hz (DIN EN 61000-2-6)

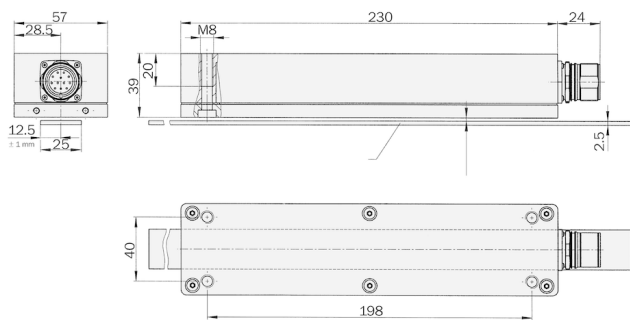
¹⁾ With mating connector fitted.

Classifications

ECLASS 5.0	27270705
ECLASS 5.1.4	27270705
ECLASS 6.0	27270705
ECLASS 6.2	27270705

ECLASS 7.0	27270705
ECLASS 8.0	27270705
ECLASS 8.1	27270705
ECLASS 9.0	27270705
ECLASS 10.0	27270705
ECLASS 11.0	27270705
ECLASS 12.0	27274304
ETIM 5.0	EC002544
ETIM 6.0	EC002544
ETIM 7.0	EC002544
ETIM 8.0	EC002544
UNSPSC 16.0901	41111613

Dimensional drawing (Dimensions in mm (inch))



SICK AT A GLANCE

SICK is one of the leading manufacturers of intelligent sensors and sensor solutions for industrial applications. A unique range of products and services creates the perfect basis for controlling processes securely and efficiently, protecting individuals from accidents and preventing damage to the environment.

We have extensive experience in a wide range of industries and understand their processes and requirements. With intelligent sensors, we can deliver exactly what our customers need. In application centers in Europe, Asia and North America, system solutions are tested and optimized in accordance with customer specifications. All this makes us a reliable supplier and development partner.

Comprehensive services complete our offering: SICK LifeTime Services provide support throughout the machine life cycle and ensure safety and productivity.

For us, that is “Sensor Intelligence.”

WORLDWIDE PRESENCE:

Contacts and other locations –www.sick.com