



LBV331-XXAGCRAMX0250

LBV301

LEVEL SENSORS

SICK
Sensor Intelligence.



Illustration may differ



Ordering information

| Type | Part no. |
|----------------------|----------|
| LBV331-XXAGCRAMX0250 | 6069530 |

Other models and accessories → www.sick.com/LBV301

Detailed technical data

Features

| | |
|------------------------------|--------------------------|
| Medium | Bulk solids |
| Measurement | Switch |
| Probe length | 250 mm |
| Process pressure | -1 bar ... 16 bar |
| Process temperature | -50 °C ... +150 °C |
| Fill material density | ≥ 0.02 g/cm ³ |

Performance

| | |
|-----------------------------------|---|
| Accuracy of sensor element | ± 10 mm |
| Reproducibility | ≤ 5 mm |
| Response time | 500 ms when covered / 1,000 ms when uncovered |
| MTBF | 4,17*10 ⁶ h |

Electronics

| | |
|-------------------------------|---|
| Power consumption | 5 mA ... 30 mA |
| Initialization time | < 2 s |
| VDE protection class 1 | ✓ |
| Connection type | M20 x 1.5 |
| Output signal | Double relay (DPDT) |
| Supply voltage | Double relay (DPDT): 20 V DC ... 72 V DC / 20 V AC ... 253 V AC |
| Hysteresis | 10 mm |
| Output current | > 10 µA; < 3A AC, 1A DC |
| Enclosure rating | IP66 / IP67 |

Mechanics

| | |
|---------------------------|----------------------------|
| Process connection | G 1 A |
| Housing material | Aluminum |
| Sensor material | Stainless steel 316L, 318S |

Ambient data

| | |
|--------------------------------------|-------------------|
| Ambient operating temperature | -40 °C ... +70 °C |
|--------------------------------------|-------------------|

Not all variants of the type code can be combined!

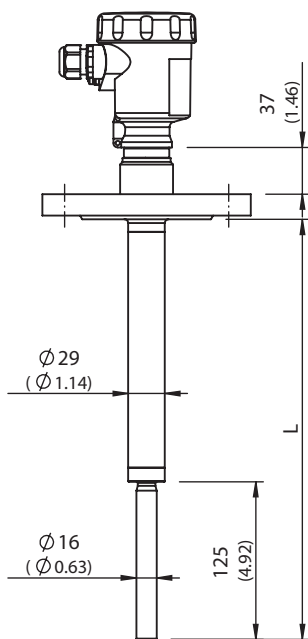
Process connection / Material

| | |
|----------|---|
| GC | Thread G 1 (DIN 3852-A) PN 16 / 316L |
| GR | Thread G 1 (DIN 3852-A) PN 16 / 316L, Ra < 0.8µm |
| GD | Thread G 1 ½ (DIN 3852-A) PN 16 / 316L |
| GT | Thread G 1 ½ (DIN 3852-A) PN 16 / 316L, Ra < 0.8µm |
| ND | Thread 1 ½" NPT (ASME B1.20.1) PN 16 / 316L |
| NT | Thread 1 ½" NPT (ASME B1.20.1) PN 16 / 316L, Ra < 0.8µm |
| CT | Tri-Clamp 1 ½" / 316L Ra < 0.8µm |
| CV | Tri-Clamp 2" / 316L Ra < 0.8µm |
| CQ | Tri-Clamp 2 ½" / 316L Ra < 0.8µm |
| CM | Tri-Clamp 3 ½" / 316L Ra < 0.8µm |
| RP | Pipe connection, DN 40, PN 40, DIN 11851 / 316L Ra < 0.8µm |
| RF | Pipe connection, DN 40, PN 40, DIN 11864-1 form A / 316L Ra < 0.8µm |
| RH | Pipe connection, DN 65, PN 25, DIN 11851 / 316L Ra < 0.8µm |
| TV | Tuohenhagen Varivent, DN 32...1 ½", PN 25 / 316L Ra < 0.8µm |
| C2 | Bundle clamp, DN 40, PN 40, DIN, 11864-3 form A / 316L Ra < 0.8µm |
| BF | Flange, DN 32, PN 40, form C, DIN 2501 / 316L |
| DF | Flange, DN 40, PN 40, form C, DIN 2501 / 316L |
| EF | Flange, DN 50, PN 40, form C, DIN 2501 / 316L |
| 4F | Flange, DN 65, PN 16, form C, DIN 2501 / 316L |
| No error | Flange, DN 80, PN 40, form C, DIN 2501 / 316L |
| ZF | Flange, DN 100, PN 6, form C, DIN 2501 / 316L |

| | |
|----|--|
| MF | Flange DN 100, PN 16, form C, DIN2501 / 316L |
| OF | Flange DN 100, PN 40, form C, DIN2501 / 316L |
| 3F | Flange DN 125, PN 6, form C, DIN2501 / 316L |
| QF | Flange DN 150, PN 16, form C, DIN2501 / 316L |
| 2F | Flange DN 200, PN 10, form C, DIN2501 / 316L |
| EB | Flange DN 50, PN 40 EN1092-1 form B1 / 316L |
| DA | Flange 1 ½" 150 lb RF, ANSI B16.5 / 316L |
| EA | Flange 1 ½" 300 lb RF, ANSI B16.5 / 316L |
| HA | Flange 2" 150 lb RF, ANSI B16.5 / 316L |
| IA | Flange 2" 300 lb RF, ANSI B16.5 / 316L |
| OA | Flange 3" 150 lb RF, ANSI B16.5 / 316L |
| OE | Flange 3" 150 lb FF, ANSI B16.5 / 316L |
| PA | Flange 3" 300 lb RF, ANSI B16.5 / 316L |
| PE | Flange 3" 300 lb FF, ANSI B16.5 / 316L |
| JA | Flange 3 ½" 150 lb RF, ANSI B16.5 / 316L |
| SA | Flange 4" 150 lb RF, ANSI B16.5 / 316L |
| UA | Flange 4" 300 lb RF, ANSI B16.5 / 316L |
| AU | Flange DN 50, 10K RF, JIS / 316L |
| HU | Flange DN 65, 10K RF, JIS / 316L |
| BU | Flange DN 80, 10K RF, JIS / 316L |
| CU | Flange DN 100, 10K RF, JIS / 316L |

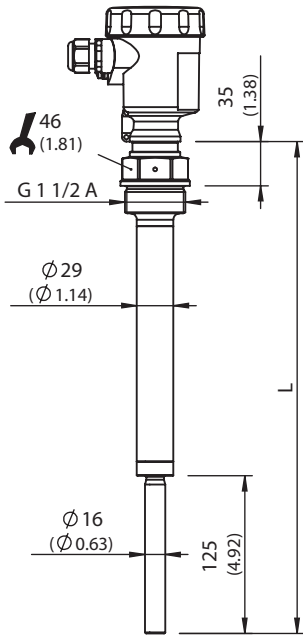
Dimensional drawing (Dimensions in mm (inch))

LBV331 flange



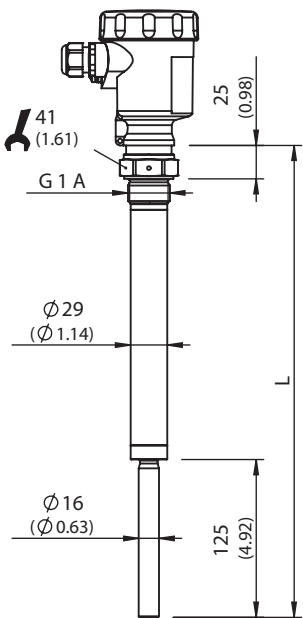
All dimensions in mm (inch)

LBV331 threaded version G 1 1/2 A



All dimensions in mm (inch)

LBV331 threaded version G 1 A



All dimensions in mm (inch)

Connection diagram

Double relay connection diagram



- ① Relay output
- ② Relay output
- ③ Power supply

Instruction for installation

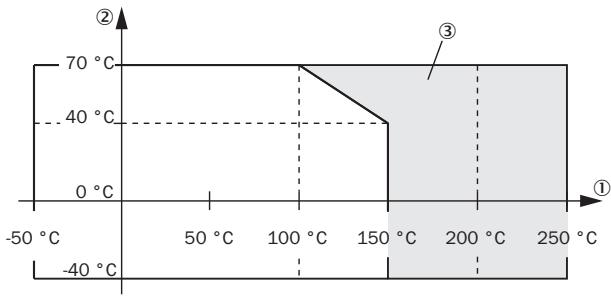
Horizontal mounting



- ① Protective sheet
- ② Concave protective sheet for abrasive solids

Characteristic curve

Ambient temperature - process temperature



- ① Process temperature in °C (°F)
- ② Ambient temperature in °C (°F)
- ③ Temperature range with temperature adapter

SICK AT A GLANCE

SICK is one of the leading manufacturers of intelligent sensors and sensor solutions for industrial applications. A unique range of products and services creates the perfect basis for controlling processes securely and efficiently, protecting individuals from accidents and preventing damage to the environment.

We have extensive experience in a wide range of industries and understand their processes and requirements. With intelligent sensors, we can deliver exactly what our customers need. In application centers in Europe, Asia and North America, system solutions are tested and optimized in accordance with customer specifications. All this makes us a reliable supplier and development partner.

Comprehensive services complete our offering: SICK LifeTime Services provide support throughout the machine life cycle and ensure safety and productivity.

For us, that is “Sensor Intelligence.”

WORLDWIDE PRESENCE:

Contacts and other locations –www.sick.com