



# LFC-XXSBTE

LFC

LEVEL SENSORS

**SICK**  
Sensor Intelligence.



### Ordering information

Type	Part no.
LFC-XXSBTE	6086408

Other models and accessories → [www.sick.com/LFC](http://www.sick.com/LFC)

Illustration may differ



### Detailed technical data

#### Features

<b>Medium</b>	Fluids
<b>Measurement</b>	Switch
<b>Process pressure</b>	-1 bar ... 64 bar
<b>Process temperature</b>	-20 °C ... +100 °C, +135 °C for max. 1 h
<b>RoHS certificate</b>	✓
<b>IO-Link</b>	✓

#### Performance

<b>Accuracy of sensor element</b>	Approx. 1 mm
<b>Reproducibility</b>	Approx. 1 mm
<b>Resolution</b>	Approx. 1 mm
<b>Response time</b>	Approx. 500 ms
<b>Dielectricity constant</b>	≥ 2
<b>MTBF</b>	7,3*10 <sup>6</sup> h

#### Electronics

<b>Communication interface</b>	IO-Link
<b>Supply voltage</b>	12 V DC ... 35 V DC <sup>1)</sup>
<b>Residual ripple</b>	≤ 5 V <sub>pp</sub>
<b>Power consumption</b>	≤ 10 mA
<b>Protection class</b>	III
<b>Connection type</b>	M12 round connector x 1, 4-pin
<b>Output signal</b>	2 x PNP/NPN IO-Link
<b>Power consumption</b>	≤ 0.1 W
<b>Contamination rating</b>	4
<b>Inductive load</b>	≤ 0.5 H

<sup>1)</sup> All connections are polarity protected. All outputs are overload and short-circuit protected.

<b>Capacitive load</b>	100 nF
<b>Enclosure rating</b>	IP66 / IP67 and IP69 (NEMA type 6P)
<b>EMC</b>	EN 61326-1
<b>Overvoltage category</b>	I
<b>Load current</b>	≤ 250 mA (Output permanently short-circuit proof)
<b>Voltage drop</b>	< 3 V
<b>Switching voltage</b>	< 34 V DC
<b>Reverse current</b>	< 10 µA

<sup>1)</sup> All connections are polarity protected. All outputs are overload and short-circuit protected.

## Mechanics

<b>Wetted parts</b>	Sensor tip PEEK, polished
<b>Process connection</b>	G ½" PN 25, DIN 3852-A / 316L
<b>Housing material</b>	Stainless steel 1.4404
<b>Sealing material</b>	NBR (male connector)

## Ambient data

<b>Ambient operating temperature</b>	-40 °C ... +70 °C
<b>Ambient temperature, storage</b>	-40 °C ... +80 °C

## Classifications

<b>ECLASS 5.0</b>	27273290
<b>ECLASS 5.1.4</b>	27273290
<b>ECLASS 6.0</b>	27273290
<b>ECLASS 6.2</b>	27273290
<b>ECLASS 7.0</b>	27273290
<b>ECLASS 8.0</b>	27273290
<b>ECLASS 8.1</b>	27273290
<b>ECLASS 9.0</b>	27273290
<b>ECLASS 10.0</b>	27273290
<b>ECLASS 11.0</b>	27273290
<b>ECLASS 12.0</b>	27200503
<b>ETIM 5.0</b>	EC002654
<b>ETIM 6.0</b>	EC002654
<b>ETIM 7.0</b>	EC002654
<b>ETIM 8.0</b>	EC002654
<b>UNSPSC 16.0901</b>	41111950

## Type code

### Type code

**Type/process temperature/process pressure/enclosure rating**

Standard, -20 ... +100 °C, -1 ... 10 bar, IP65/IP67

**H** Extended, -20 ... +150 °C, -1 ... 16 bar, IP68/IP69

**Process connection/material**

- B** G 1/2" PN25, DIN3852-A / 316L
- G** G 1/2" PN25, ISO0228-1, for hygienic thread adapter / 316L (RA < 0.76 µm)
- N** 1/2" NPT PN25, ASME B1.20.1/316L

**Electrical output**

**T** 2 digital outputs (PNP/NPN/push-pull switchable) with IO-Link, 12 ... 35 V DC

**Electrical connection**

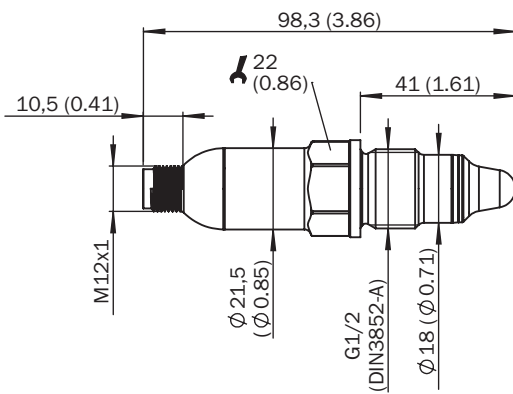
- M** M12 x 1, 4-pin / plastic
- E** M12 x 1, 4-pin / Stainless steel

LFC	-	XX			T	M
-----	---	----	--	--	---	---

Not all variants of the type code can be combined!

[Dimensional drawing](#) (Dimensions in mm (inch))

Process connection PN 25, DIN 3852-A / 316L, unit: mm (inch), decimal separator: period



## SICK AT A GLANCE

SICK is one of the leading manufacturers of intelligent sensors and sensor solutions for industrial applications. A unique range of products and services creates the perfect basis for controlling processes securely and efficiently, protecting individuals from accidents and preventing damage to the environment.

We have extensive experience in a wide range of industries and understand their processes and requirements. With intelligent sensors, we can deliver exactly what our customers need. In application centers in Europe, Asia and North America, system solutions are tested and optimized in accordance with customer specifications. All this makes us a reliable supplier and development partner.

Comprehensive services complete our offering: SICK LifeTime Services provide support throughout the machine life cycle and ensure safety and productivity.

For us, that is “Sensor Intelligence.”

## WORLDWIDE PRESENCE:

Contacts and other locations –[www.sick.com](http://www.sick.com)