

LL3-DF02-S03

Fiber-optic cables

FIBERS

SICK
Sensor Intelligence.



Ordering information

| Type | Part no. |
|--------------|----------|
| LL3-DF02-S03 | 5329354 |

Included in delivery: FC (1)

Other models and accessories → www.sick.com/Fiber-optic_cables

Detailed technical data

Features

| | |
|--|---|
| Device type | Fiber-optic cables |
| Functional principle | Proximity system |
| Fiber-optic head design | Special design |
| Application | Liquid Level (Immersion) |
| Compatible fiber-optic amplifiers | WLL80, WLL180, GLL170(T), WLL24 Ex |
| Sensing range max. | Depending on the fiber optic amplifier used |
| Optical fiber head | |
| Angle of dispersion | 60° |
| Integrated lens | No |
| Compatibility tip adapters | No |
| Optical fiber | |
| Compatibility with infrared light | No |
| Optical fiber cable can be shortened | ✓ |
| Adapter end sleeves required | No |
| Included with delivery | FC fiber cutter (5304141), protective cladding for fiber head |

Mechanics

| | |
|--|---|
| Optical fiber head | |
| Light emission | Axial |
| Smooth sleeve diameter | 5 mm |
| Optical fiber | |
| Fiber length | 234 mm |
| Bending radius | 25 mm |
| Dynamic flexibility (robotics) | No |
| Outside diameter, optical fiber cable connection | 2.2 mm |
| Fiber arrangement | Singlefiber |
| Core structure | 2 x Ø 1,0 mm Singlefiber |
| Material | |
| Optical fiber head | Perfluoralkoxy-Polymere (PFA) ¹⁾ |
| Sheath | PE |
| Fibers | Polymethylmethacrylat (PMMA) |

¹⁾ PE.

| | |
|---------------|------|
| Weight | 16 g |
|---------------|------|

¹⁾ PE.

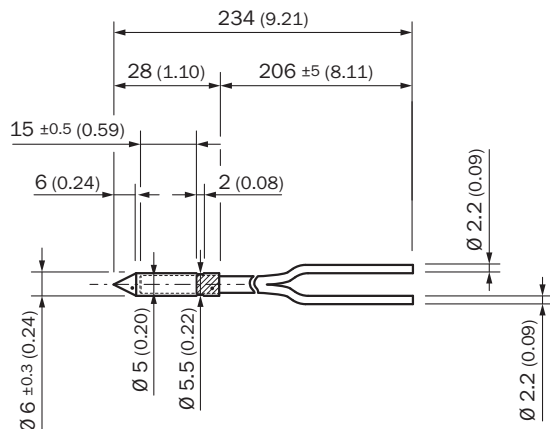
Ambient data

| | |
|--------------------------------------|--------------------|
| Ambient operating temperature | -40 °C ... +105 °C |
|--------------------------------------|--------------------|

Classifications

| | |
|-----------------------|----------|
| ECLASS 5.0 | 27270905 |
| ECLASS 5.1.4 | 27270905 |
| ECLASS 6.0 | 27270905 |
| ECLASS 6.2 | 27270905 |
| ECLASS 7.0 | 27270905 |
| ECLASS 8.0 | 27270905 |
| ECLASS 8.1 | 27270905 |
| ECLASS 9.0 | 27270905 |
| ECLASS 10.0 | 27270905 |
| ECLASS 11.0 | 27270905 |
| ECLASS 12.0 | 27270905 |
| ETIM 5.0 | EC002651 |
| ETIM 6.0 | EC002651 |
| ETIM 7.0 | EC002651 |
| ETIM 8.0 | EC002651 |
| UNSPSC 16.0901 | 39121528 |

Dimensional drawing (Dimensions in mm (inch))



SICK AT A GLANCE

SICK is one of the leading manufacturers of intelligent sensors and sensor solutions for industrial applications. A unique range of products and services creates the perfect basis for controlling processes securely and efficiently, protecting individuals from accidents and preventing damage to the environment.

We have extensive experience in a wide range of industries and understand their processes and requirements. With intelligent sensors, we can deliver exactly what our customers need. In application centers in Europe, Asia and North America, system solutions are tested and optimized in accordance with customer specifications. All this makes us a reliable supplier and development partner.

Comprehensive services complete our offering: SICK LifeTime Services provide support throughout the machine life cycle and ensure safety and productivity.

For us, that is “Sensor Intelligence.”

WORLDWIDE PRESENCE:

Contacts and other locations –www.sick.com