

LL3-DH02

Fiber-optic cables

FIBERS

SICK
Sensor Intelligence.



Ordering information

Type	Part no.
LL3-DH02	5308092

Other models and accessories → www.sick.com/Fiber-optic_cables

Detailed technical data

Features

Device type	Fiber-optic cables
Functional principle	Proximity system
Fiber-optic head design	Threaded sleeve
Application	Heat-resistant ($\geq 100^\circ\text{C}$)
Compatible fiber-optic amplifiers	WLL80, WLL180, GLL170(T)
Sensing range max.	890 mm (Sensing range of WLL80 at 8 ms)
Minimal object diameter	0.015 mm ¹⁾
Optical fiber head	
Angle of dispersion	60°
Integrated lens	No
Compatibility tip adapters	No
Optical fiber	
Adapter end sleeves required	No
Included with delivery	Mounting, 2 x M6 hexagon nut, 2 x washer, FC fiber cutter (5304141)

¹⁾ Minimum detectable object was determined at optimum measuring distance and optimum setting.

Mechanics

Optical fiber head	
Light emission	Axial
Thread diameter (housing)	M6
Optical fiber taper diameter	≥ 2.5 mm
Optical fiber taper length after 2 mm	≥ 5 mm
Optical fiber	
Fiber length	2,000 mm
Bending radius	25 mm
Dynamic flexibility (robotics)	No
Outside diameter, optical fiber cable connection	2.2 mm
Fiber arrangement	Singlefiber
Core structure	2 x \emptyset 1,0 mm ¹⁾ Singlefiber
Material	
Optical fiber head	Stainless steel

¹⁾ C = Coaxial, S = Sender, E = Receiver.

	Sheath	Polyvinylchlorid (PVC)
	Fibers	Polymethylmethacrylat (PMMA)
Weight		33 g

¹⁾ C = Coaxial, S = Sender, E = Receiver.

Ambient data

Ambient operating temperature	-40 °C ... +100 °C
--------------------------------------	--------------------

Classifications

ECLASS 5.0	27270905
ECLASS 5.1.4	27270905
ECLASS 6.0	27270905
ECLASS 6.2	27270905
ECLASS 7.0	27270905
ECLASS 8.0	27270905
ECLASS 8.1	27270905
ECLASS 9.0	27270905
ECLASS 10.0	27270905
ECLASS 11.0	27270905
ECLASS 12.0	27270905
ETIM 5.0	EC002651
ETIM 6.0	EC002651
ETIM 7.0	EC002651
ETIM 8.0	EC002651
UNSPSC 16.0901	39121528

Sensing ranges with WLL80

Operating mode 16 µs	110 mm
Operating mode 70 µs	280 mm
Operating mode 250 µs	410 mm
Operating mode 500 µs	450 mm
Operating mode 1 ms	495 mm
Operating mode 2 ms	635 mm
Operating mode 8 ms	890 mm

Sensing ranges with WLL180T

Operating mode 16 µs	70 mm
Operating mode 70 µs	230 mm
Operating mode 250 µs	350 mm
Operating mode 2 ms	600 mm
Operating mode 8 ms	1,000 mm
Note	Sensing ranges related to fiber-optic sensors with type of light: visible red light

Sensing ranges with GLL170

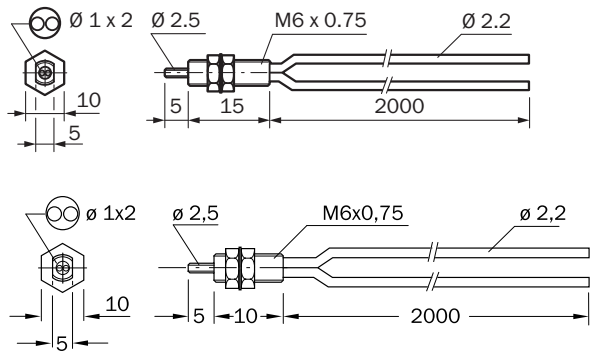
Operating mode 250 µs	90 mm
------------------------------	-------

Sensing ranges with GLL170T

Operating mode 50 μs	110 mm
Operating mode 250 μs	220 mm


Dimensional drawing (Dimensions in mm (inch))

LL3-DH02



Recommended accessories

Other models and accessories → www.sick.com/Fiber-optic_cables

	Brief description	Type	Part no.
Device protection (mechanical)			
	Metal protection hose for LL3-Fibers with M6 threaded head; length 1000 mm, stainless steel, 1 pieces	BEF-LL3M61000	5331291
	Metal protection hose for LL3-Fibers with M6 threaded head; length 500 mm, stainless steel, 1 pieces	BEF-LL3M6500	5331290

SICK AT A GLANCE

SICK is one of the leading manufacturers of intelligent sensors and sensor solutions for industrial applications. A unique range of products and services creates the perfect basis for controlling processes securely and efficiently, protecting individuals from accidents and preventing damage to the environment.

We have extensive experience in a wide range of industries and understand their processes and requirements. With intelligent sensors, we can deliver exactly what our customers need. In application centers in Europe, Asia and North America, system solutions are tested and optimized in accordance with customer specifications. All this makes us a reliable supplier and development partner.

Comprehensive services complete our offering: SICK LifeTime Services provide support throughout the machine life cycle and ensure safety and productivity.

For us, that is “Sensor Intelligence.”

WORLDWIDE PRESENCE:

Contacts and other locations –www.sick.com