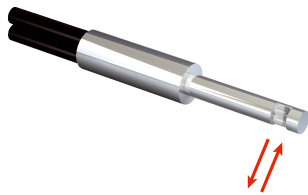


LL3-DV01

Fiber-optic cables

FIBERS

SICK
Sensor Intelligence.



Ordering information

Type	Part no.
LL3-DV01	5308088

Included in delivery: FC (1)

Other models and accessories → www.sick.com/Fiber-optic_cables

Detailed technical data

Features

Device type	Fiber-optic cables
Functional principle	Proximity system
Fiber-optic head design	Smooth sleeve, Long end sleeve, 90° deflection
Application	Standard
Compatible fiber-optic amplifiers	WLL80, WLL180, GLL170(T), WLL24 Ex
Sensing range max.	850 mm (Sensing range of WLL80 at 8 ms)
Minimal object diameter	0.025 mm ¹⁾
Optical fiber head	
Angle of dispersion	60°
Integrated lens	No
Compatibility tip adapters	No
Optical fiber	
Compatibility with infrared light	No
Optical fiber cable can be shortened	✓
Adapter end sleeves required	No
Included with delivery	FC fiber cutter (5304141)

¹⁾ Minimum detectable object was determined at optimum measuring distance and optimum setting.

Mechanics

Optical fiber head	
Light emission	Radial
Smooth sleeve diameter	5 mm
Optical fiber taper diameter	≥ 2.7 mm
Optical fiber taper length after 2 mm	≥ 20 mm
Optical fiber	
Fiber length	2,000 mm
Bending radius	25 mm
Dynamic flexibility (robotics)	No
Outside diameter, optical fiber cable connection	2.2 mm
Fiber arrangement	Singlefiber

¹⁾ C = Coaxial, S = Sender, E = Receiver.

	Core structure	2 x Ø 1,0 mm ¹⁾ Singlefiber
Material	Optical fiber head	Stainless steel
	Sheath	Polyethylen (PE)
	Fibers	Polymethylmethacrylat (PMMA)
	Weight	28 g

¹⁾ C = Coaxial, S = Sender, E = Receiver.

Ambient data

Ambient operating temperature	-40 °C ... +70 °C
--------------------------------------	-------------------

Classifications

ECLASS 5.0	27270905
ECLASS 5.1.4	27270905
ECLASS 6.0	27270905
ECLASS 6.2	27270905
ECLASS 7.0	27270905
ECLASS 8.0	27270905
ECLASS 8.1	27270905
ECLASS 9.0	27270905
ECLASS 10.0	27270905
ECLASS 11.0	27270905
ECLASS 12.0	27270905
ETIM 5.0	EC002651
ETIM 6.0	EC002651
ETIM 7.0	EC002651
ETIM 8.0	EC002651
UNSPSC 16.0901	39121528

Sensing ranges with WLL80

Operating mode 16 µs	90 mm
Operating mode 70 µs	235 mm
Operating mode 250 µs	345 mm
Operating mode 500 µs	415 mm
Operating mode 1 ms	450 mm
Operating mode 2 ms	605 mm
Operating mode 8 ms	850 mm

Sensing ranges with WLL180T

Operating mode 16 µs	40 mm
Operating mode 70 µs	135 mm
Operating mode 250 µs	180 mm
Operating mode 2 ms	270 mm
Operating mode 8 ms	330 mm

LL3-DV01 | Fiber-optic cables

FIBERS

Note	Sensing ranges related to fiber-optic sensors with type of light: visible red light
-------------	---

Sensing ranges with GLL170

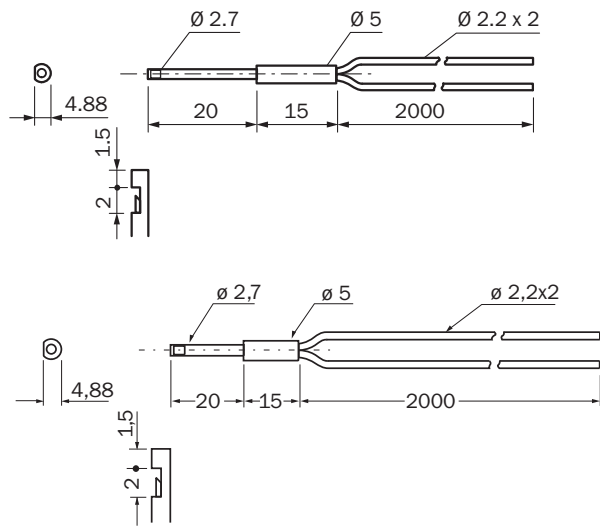
Operating mode 250 μs	150 mm
---	--------

Sensing ranges with GLL170T

Operating mode 50 μs	200 mm
Operating mode 250 μs	300 mm

Dimensional drawing (Dimensions in mm (inch))

LL3-DV01



SICK AT A GLANCE

SICK is one of the leading manufacturers of intelligent sensors and sensor solutions for industrial applications. A unique range of products and services creates the perfect basis for controlling processes securely and efficiently, protecting individuals from accidents and preventing damage to the environment.

We have extensive experience in a wide range of industries and understand their processes and requirements. With intelligent sensors, we can deliver exactly what our customers need. In application centers in Europe, Asia and North America, system solutions are tested and optimized in accordance with customer specifications. All this makes us a reliable supplier and development partner.

Comprehensive services complete our offering: SICK LifeTime Services provide support throughout the machine life cycle and ensure safety and productivity.

For us, that is “Sensor Intelligence.”

WORLDWIDE PRESENCE:

Contacts and other locations –www.sick.com