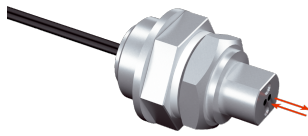


LL3-KX01

Fiber-optic cables

FIBERS

SICK
Sensor Intelligence.



Ordering information

Type	Part no.
LL3-KX01	5343156

Other models and accessories → www.sick.com/Fiber-optic_cables

Detailed technical data

Features

Device type	Fiber-optic cables
Functional principle	Proximity system
Fiber-optic head design	Smooth sleeve
Application	Standard
Compatible fiber-optic amplifiers	WLL80, WLL180, GLL170(T)
Sensing range max.	Depending on the fiber optic amplifier used
Optical fiber head	
Integrated lens	No
Compatibility tip adapters	No
Optical fiber	
Compatibility with infrared light	No
Adapter end sleeves required	Yes
Items supplied	Adapter sleeves

Mechanics

Optical fiber head	
Light emission	Axial
Thread diameter (housing)	M10
Optical fiber	
Fiber length	3,000 mm
Bending radius	25 mm
Dynamic flexibility (robotics)	No
Outside diameter, optical fiber cable connection	1.3 mm
Fiber arrangement	Singlefiber
Core structure	Ø 1,0 mm Singlefiber
Material	
Optical fiber head	Stainless steel
Sheath	Polyethylen (PE)
Weight	58 g

Ambient data

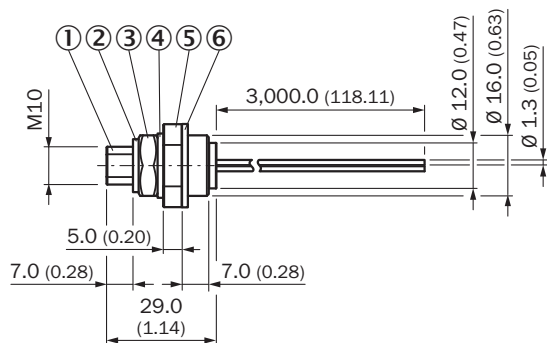
Ambient operating temperature	-40 °C ... +70 °C
--------------------------------------	-------------------

Classifications

ECLASS 5.0	27270905
-------------------	----------

ECLASS 5.1.4	27270905
ECLASS 6.0	27270905
ECLASS 6.2	27270905
ECLASS 7.0	27270905
ECLASS 8.0	27270905
ECLASS 8.1	27270905
ECLASS 9.0	27270905
ECLASS 10.0	27270905
ECLASS 11.0	27270905
ECLASS 12.0	27270905
ETIM 5.0	EC002651
ETIM 6.0	EC002651
ETIM 7.0	EC002651
ETIM 8.0	EC002651
UNSPSC 16.0901	39121528

Dimensional drawing (Dimensions in mm (inch))



- ① Mounting nuts SW, 8
- ② Teflon washer \varnothing 14 x 1.5
- ③ M10 nut, flat
- ④ Bonded seal M10 x 17 x 1,5
- ⑤ Mounting nuts SW, 19
- ⑥ Teflon washer \varnothing 22 x 1.5

SICK AT A GLANCE

SICK is one of the leading manufacturers of intelligent sensors and sensor solutions for industrial applications. A unique range of products and services creates the perfect basis for controlling processes securely and efficiently, protecting individuals from accidents and preventing damage to the environment.

We have extensive experience in a wide range of industries and understand their processes and requirements. With intelligent sensors, we can deliver exactly what our customers need. In application centers in Europe, Asia and North America, system solutions are tested and optimized in accordance with customer specifications. All this makes us a reliable supplier and development partner.

Comprehensive services complete our offering: SICK LifeTime Services provide support throughout the machine life cycle and ensure safety and productivity.

For us, that is “Sensor Intelligence.”

WORLDWIDE PRESENCE:

Contacts and other locations –www.sick.com