



LL3-TH15

Fiber-optic cables

FIBERS

SICK
Sensor Intelligence.



Ordering information

Type	Part no.
LL3-TH15	5325975

Other models and accessories → www.sick.com/Fiber-optic_cables

Detailed technical data

Features

Device type	Fiber-optic cables
Functional principle	Through-beam system
Fiber-optic head design	Smooth sleeve, 90° deflection
Application	Heat-resistant (≥100 °C)
Compatible fiber-optic amplifiers	WLL80, WLL180, GLL170(T)
Sensing range max.	2,490 mm (Sensing range of WLL80 at 8 ms)
Minimal object diameter	0.16 mm ¹⁾
Optical fiber head	
Angle of dispersion	60.23°
Integrated lens	Yes
Compatibility tip adapters	No
Optical fiber	
Compatibility with infrared light	No ²⁾
Adapter end sleeves required	No
Included with delivery	Mounting, 2 x M4 hexagon nut, 2 x M4 hexagon nut (plastic), 2 x washer, FC fiber cutter (5304141), LL3-TB09

¹⁾ Minimum detectable object was determined at optimum measuring distance and optimum setting.

²⁾ Reduced sensing ranges possible when using a fiber-optic amplifier with infrared light.

Mechanics

Optical fiber head	
Light emission	Radial
Smooth sleeve diameter	4 mm
Optical fiber	
Fiber length	2,000 mm
Bending radius	25 mm
Dynamic flexibility (robotics)	No
Outside diameter, optical fiber cable connection	2.2 mm
Fiber arrangement	Singlefiber
Core structure	Ø 0,8 mm Singlefiber
Material	
Optical fiber head	Copper-zinc alloy (CuZn)
Sheath	Stainless steel

	Fibers	Glass
Weight		10 g

Ambient data

Ambient operating temperature	-60 °C ... +200 °C
--------------------------------------	--------------------

Classifications

ECLASS 5.0	27270905
ECLASS 5.1.4	27270905
ECLASS 6.0	27270905
ECLASS 6.2	27270905
ECLASS 7.0	27270905
ECLASS 8.0	27270905
ECLASS 8.1	27270905
ECLASS 9.0	27270905
ECLASS 10.0	27270905
ECLASS 11.0	27270905
ECLASS 12.0	27270905
ETIM 5.0	EC002651
ETIM 6.0	EC002651
ETIM 7.0	EC002651
ETIM 8.0	EC002651
UNSPSC 16.0901	39121528

Sensing ranges with WLL80

Operating mode 16 µs	190 mm
Operating mode 70 µs	565 mm
Operating mode 250 µs	895 mm
Operating mode 500 µs	1,105 mm
Operating mode 1 ms	1,305 mm
Operating mode 2 ms	1,715 mm
Operating mode 8 ms	2,490 mm

Sensing ranges with WLL180T

Operating mode 16 µs	90 mm
Operating mode 70 µs	290 mm
Operating mode 250 µs	480 mm
Operating mode 2 ms	970 mm
Operating mode 8 ms	1,000 mm
Note	Sensing ranges related to fiber-optic sensors with type of light: visible red light

Sensing ranges with GLL170

Operating mode 250 µs	270 mm
------------------------------	--------

Sensing ranges with GLL170T

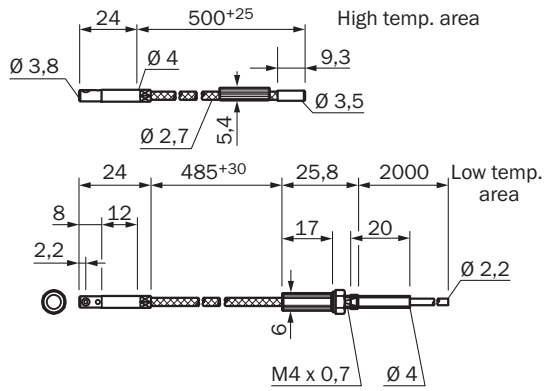
Operating mode 50 µs	290 mm
-----------------------------	--------

Operating mode 250 μ s

410 mm

Dimensional drawing (Dimensions in mm (inch))

LL3-TH15



SICK AT A GLANCE

SICK is one of the leading manufacturers of intelligent sensors and sensor solutions for industrial applications. A unique range of products and services creates the perfect basis for controlling processes securely and efficiently, protecting individuals from accidents and preventing damage to the environment.

We have extensive experience in a wide range of industries and understand their processes and requirements. With intelligent sensors, we can deliver exactly what our customers need. In application centers in Europe, Asia and North America, system solutions are tested and optimized in accordance with customer specifications. All this makes us a reliable supplier and development partner.

Comprehensive services complete our offering: SICK LifeTime Services provide support throughout the machine life cycle and ensure safety and productivity.

For us, that is “Sensor Intelligence.”

WORLDWIDE PRESENCE:

Contacts and other locations –www.sick.com