



LMS500-21000 Lite

LMS5xx

2D LIDAR SENSORS

SICK
Sensor Intelligence.



Ordering information

Type	Part no.
LMS500-21000 Lite	1054153

Other models and accessories → www.sick.com/LMS5xx



Detailed technical data

Features

Application	Indoor
Variant	Lite
Resolution power	High Resolution
Light source	Infrared (905 nm, ± 10 nm)
Laser class	1 (EN/IEC 60825-1:2014 (Ed.3), EN/IEC 60825-1:2007 (Ed.2) CAN/CSA-E60825-1:2015-11 (Ed.3))
Aperture angle	Horizontal 190°
Scanning frequency	25 Hz 35 Hz 50 Hz 75 Hz
Angular resolution	Horizontal 0.25° 0.5° 1°
Scan field flatness	Scan field flatness combined: ± 0.72° Typical conical error: 1 sigma value - 0.11° ± 0.1° Typical tilt: 1 sigma value + 0.15° ± 0.08°
Heating	Self-heating
Working range	0.2 m ... 80 m
Scanning range	At 10% remission factor 26 m
Measurement accuracy	± 12 mm
Spot size	Divergence: 4.7 mrad At the viewing window: 13.5 mm In 26 m: 136 mm In 40 m: 202 mm
Amount of evaluated echoes	2

Mechanics/electronics

Connection type	1 x M12 round connector 1 x System plug with screw terminal block, incl. 2 x cable glands
Supply voltage	24 V DC, $\pm 20\%$
Power consumption	22 W
Housing material	AlSi12
Housing color	Light blue (RAL 5012)
Window material	Polycarbonate, scratch-resistant coating
Enclosure rating	IP65 (EN 60529, Section 14.2.7)
Protection class	III (IEC 61140:2016-11)
Weight	3.7 kg
Dimensions (L x W x H)	160 mm x 155 mm x 185 mm
MTBF	> 100 years

Safety-related parameters

MTTF_D	> 100 years
-------------------------	-------------

Performance

Response time	≥ 13 ms
Detectable object shape	Almost any
Systematic error	± 25 mm (1 m ... 10 m) ± 35 mm (10 m ... 20 m) ¹⁾
Statistical error	7 mm (1 m ... 10 m) 9 mm (10 m ... 20 m) ¹⁾
Integrated application	Field evaluation Output of measurement data
Number of field sets	4 fields
Simultaneous evaluation cases	4
Filter	Echo filter Fog filter Particle filter Average filter Glare filter

¹⁾ Typical value; actual value depends on environmental conditions.

Interfaces

Ethernet	Function	✓, TCP/IP, UDP/IP
	Data transmission rate	Host and AUX, NTP 10/100 MBit/s
Serial	Function	✓, RS-232, RS-422
	Data transmission rate	Host and AUX 9.6 kBaud ... 500 kBaud
USB	Remark	✓ Mini-USB
	Function	Service interface
Digital inputs		2 (digital)
Digital outputs		3 (digital)

Optical indicators	5 LEDs (Additional 7-segment display)
Ambient data	
Object remission	2 % ... > 1,000 % (reflectors)
Electromagnetic compatibility (EMC)	
Emitted radiation	Industrial environment (IEC 61000-6-3:2020 / EN IEC 61000-6-3:2007+A1:2011)
Electromagnetic immunity	Industrial environment (IEC 61000-6-2:2016 / EN IEC 61000-6-2:2019)
Vibration resistance	
Sine test	10 Hz ... 150 Hz, Amplitude 0.35 mm to 5 g, 20 cycles ¹⁾
Shock resistance	15 g, 11 ms, 6 single shocks/axis ²⁾ 10 g, 16 ms, 1,000 continuous shocks/axis ²⁾
Impact resistance	IK05, IK06, IK07 (DIN EN 50102:09-1997)
Ambient operating temperature	0 °C ... +50 °C
Storage temperature	-40 °C ... +70 °C
Ambient light immunity	70,000 lx

¹⁾ IEC 60068-2-6:2007-12.

²⁾ IEC 60068-2-27:2008-02.

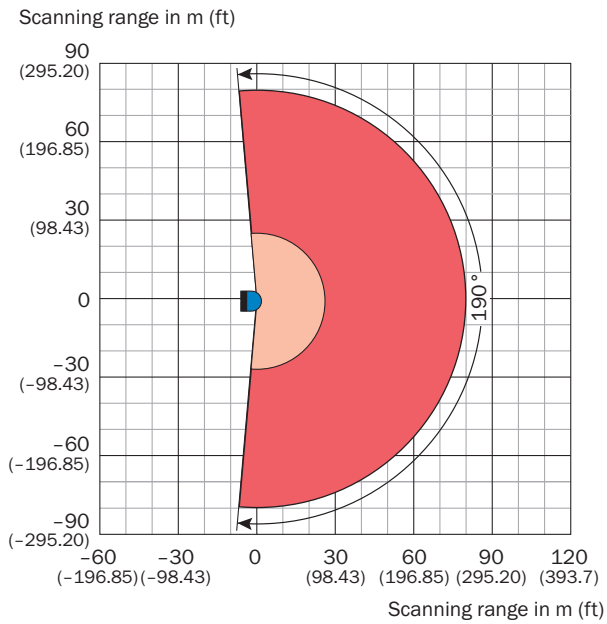
General notes

Note on use	The sensor does not constitute a safety component as defined by relevant legislation on machine safety.
--------------------	---

Classifications

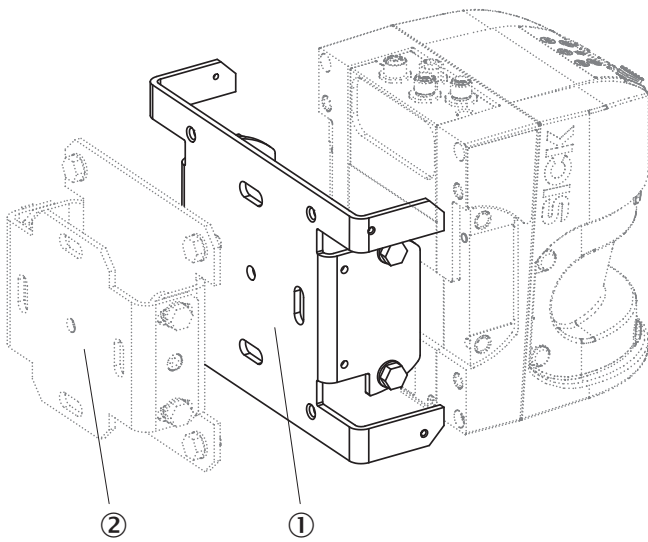
ECLASS 5.0	27270990
ECLASS 5.1.4	27270990
ECLASS 6.0	27270913
ECLASS 6.2	27270913
ECLASS 7.0	27270913
ECLASS 8.0	27270913
ECLASS 8.1	27270913
ECLASS 9.0	27270913
ECLASS 10.0	27270913
ECLASS 11.0	27270913
ECLASS 12.0	27270913
ETIM 5.0	EC002550
ETIM 6.0	EC002550
ETIM 7.0	EC002550
ETIM 8.0	EC002550
UNSPSC 16.0901	41111615

Working range diagram

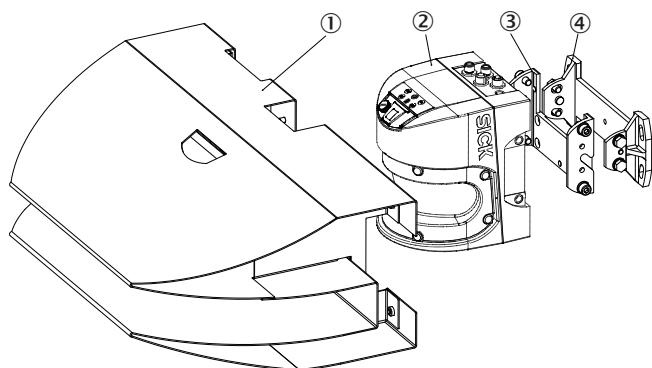


- Scanning range max. 80 m (262.47 ft)
- Scanning range for objects up to 10 % remission 26 m (85.3 ft)

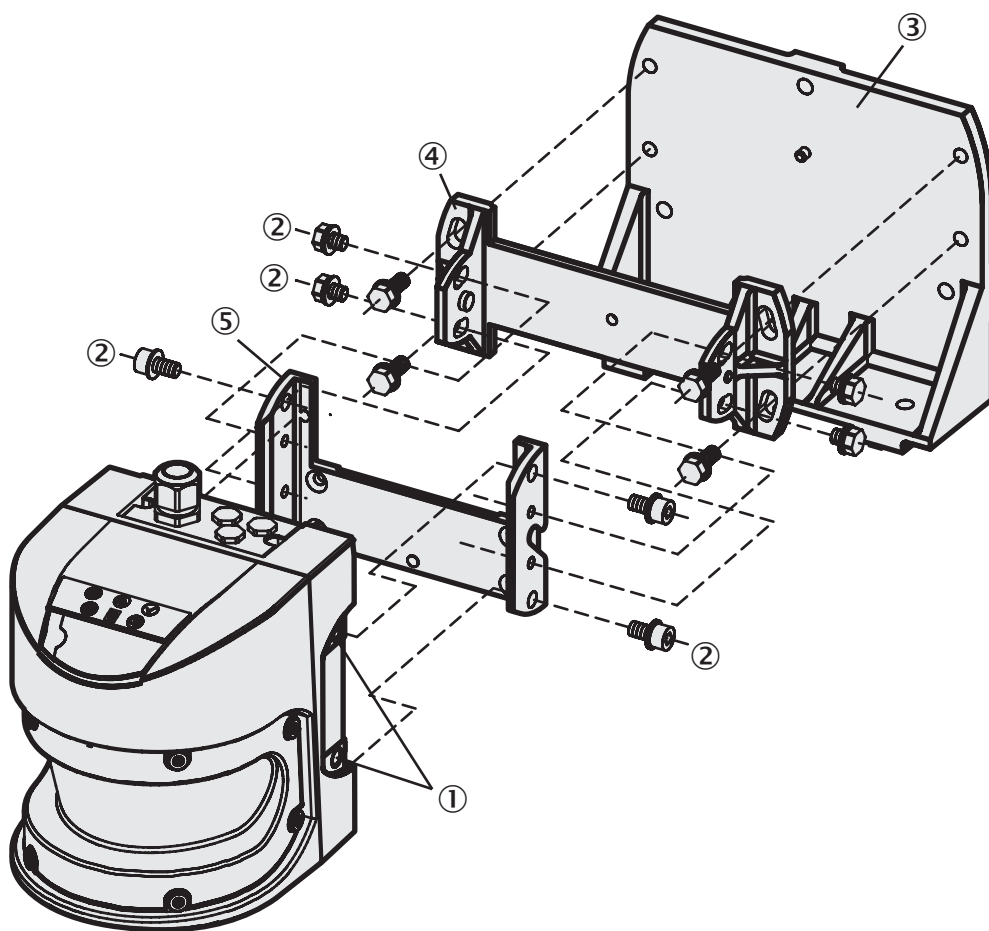
Assembly note



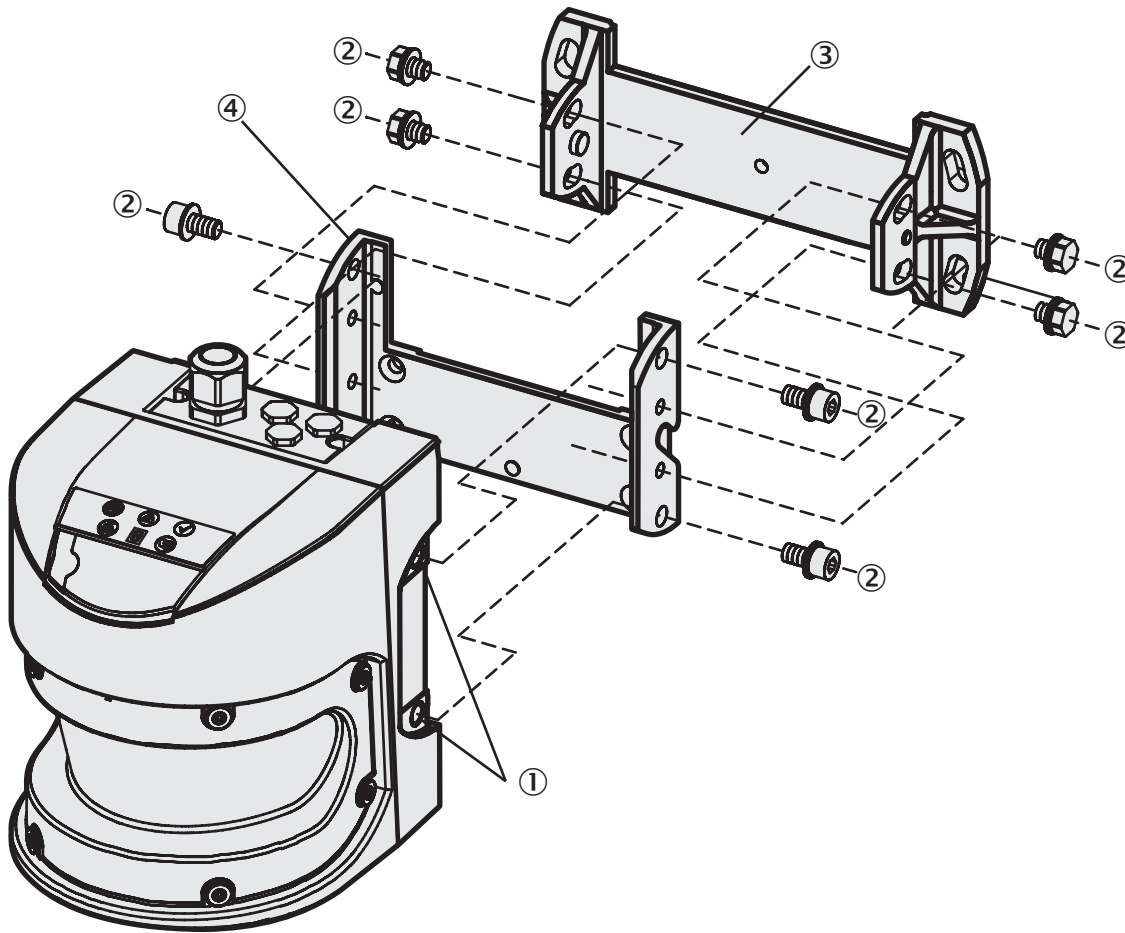
- ① Mounting bracket 2059271
- ② Mounting bracket 2018303



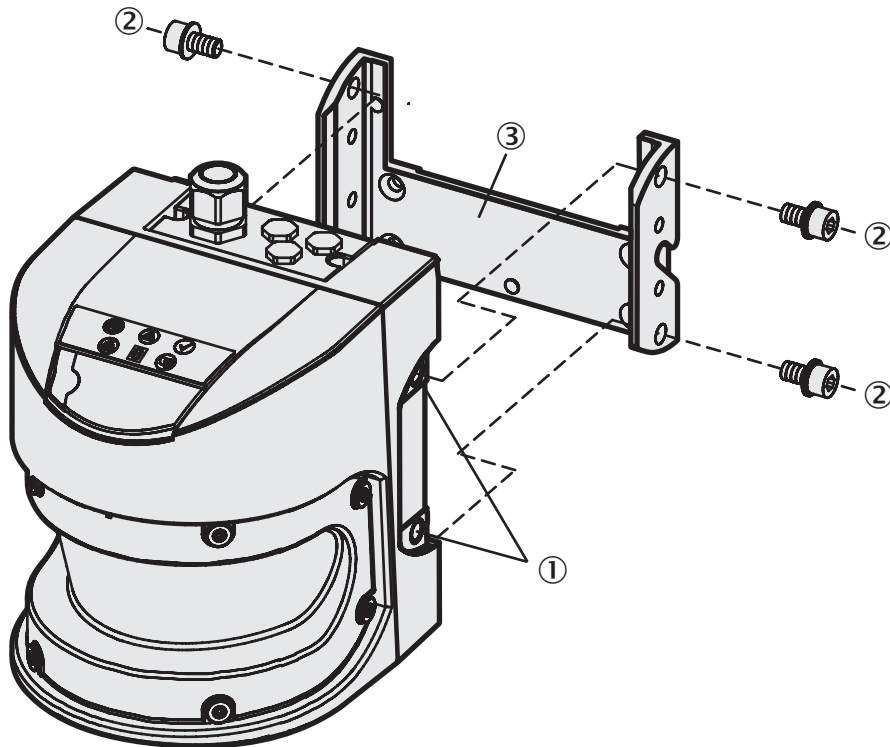
- ① Weather hood
- ② LMS5xx
- ③ Mounting kit 1
- ④ Mounting kit 2



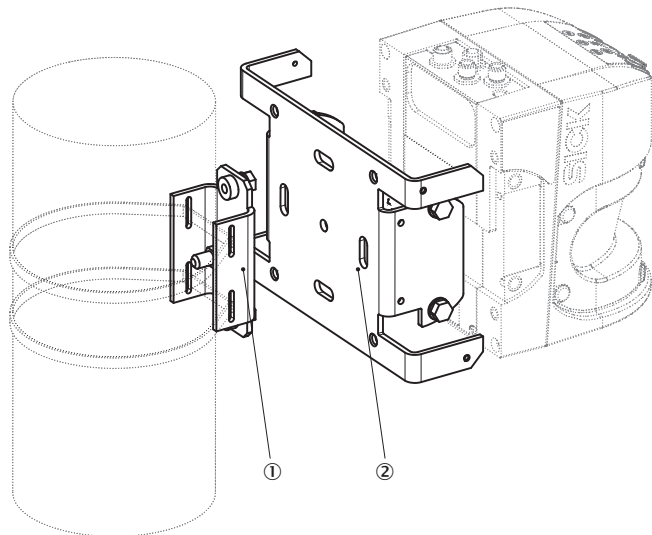
- ① Threaded holes M8x9
- ② Mounting screws
- ③ Mounting kit 3
- ④ Mounting kit 2
- ⑤ Mounting kit 1



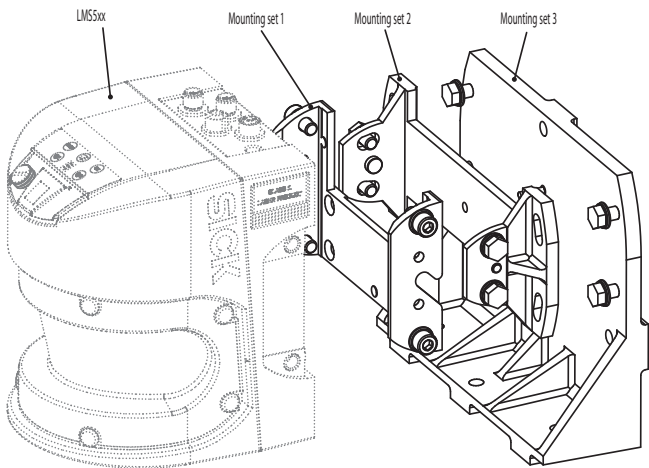
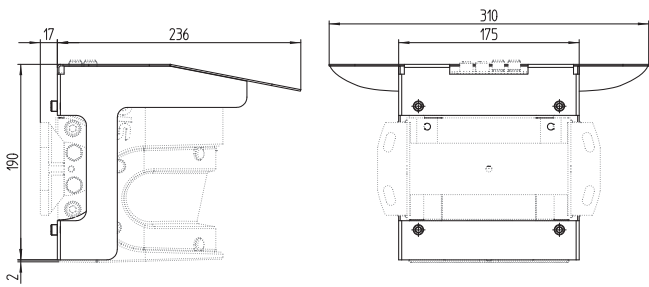
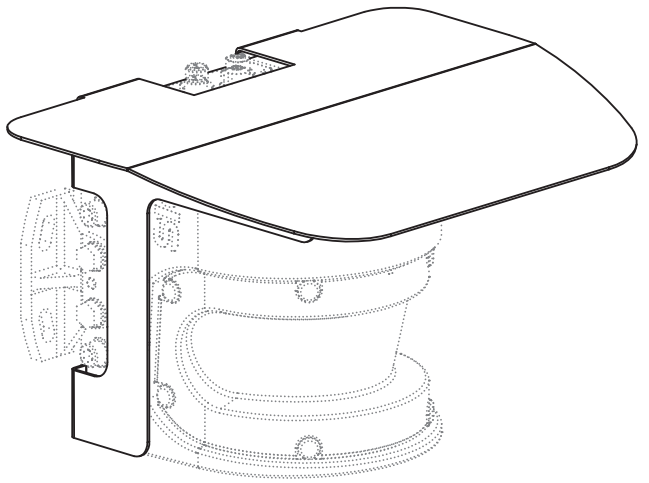
- ① Threaded holes M8x9
- ② Fixing screw
- ③ Mounting kit 2
- ④ Mounting kit 1



- ① Threaded holes M8x9
- ② Mounting screws
- ③ Mounting kit 1

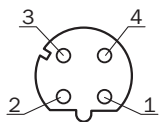


- ① Post bracket
- ② Mounting bracket 2059271



Connection type

Ethernet






M12 female connector, 4-pin, D-coded

- ① TX+
- ② RX+
- ③ TX-
- ④ RX-

Recommended accessories

Other models and accessories → www.sick.com/LMS5xx

	Brief description	Type	Part no.
Mounting brackets and plates			
	1 piece, mounting bracket for direct mounting, from the rear, on wall or machine, not adjustable, Aluminum	Mounting kit 1	2015623
	1 piece, mounting bracket for rear mounting on wall or machine, adjustable longitudinal and lateral axes, only in conjunction with mounting kit 1 (2015623), Aluminum	Mounting kit 2	2015624
Others			
	<ul style="list-style-type: none"> • Connection type head A: Male connector, M12, 4-pin, straight, D-coded • Connection type head B: Male connector, RJ45, 4-pin, straight • Signal type: Ethernet, PROFINET • Cable: 5 m, 4-wire, PUR, halogen-free • Description: Ethernet, PROFINET, shielded • Application: Drag chain operation, Zones with oils and lubricants 	YM2D24-050PN1MRJA4	2106184

Recommended services

Additional services → www.sick.com/LMS5xx

	Type	Part no.
Maintenance		
<ul style="list-style-type: none"> • Product area: 2D LiDAR sensors, 3D LiDAR sensors • Range of services: Inspection, analysis and restoring of defined functions, Inspection and adaptation of basic settings, parameters of field application, filters for raw data output, and product-specific configuration • Duration: Additional work will be invoiced separately 	Maintenance of LiDAR sensors	1682593
Commissioning		
<ul style="list-style-type: none"> • Product area: 2D LiDAR sensors, 3D LiDAR sensors • Range of services: Inspection of connection, fine adjustment, configuration of monitored areas, configuration and optimization of parameters as well as tests, Setup of previously defined functions of basic settings, parameters of field application, filters for raw data output and product-specific configuration • Duration: Additional work will be invoiced separately 	Commissioning LiDAR sensors	1680672
Extended warranty		
<ul style="list-style-type: none"> • Product area: Machine vision, LiDAR sensors, safety camera sensors, Safety laser scanners, Safety radar sensors, Radar sensors, Fixed mount barcode scanners, Image-based code readers, RFID, Mobile handheld scanners • Range of services: The services correspond to the scope of the statutory manufacturer warranty (SICK general terms of delivery). • Duration: Five-year warranty from delivery date. 	Extended warranty for a total of five years from delivery date	1680671

SICK AT A GLANCE

SICK is one of the leading manufacturers of intelligent sensors and sensor solutions for industrial applications. A unique range of products and services creates the perfect basis for controlling processes securely and efficiently, protecting individuals from accidents and preventing damage to the environment.

We have extensive experience in a wide range of industries and understand their processes and requirements. With intelligent sensors, we can deliver exactly what our customers need. In application centers in Europe, Asia and North America, system solutions are tested and optimized in accordance with customer specifications. All this makes us a reliable supplier and development partner.

Comprehensive services complete our offering: SICK LifeTime Services provide support throughout the machine life cycle and ensure safety and productivity.

For us, that is “Sensor Intelligence.”

WORLDWIDE PRESENCE:

Contacts and other locations –www.sick.com