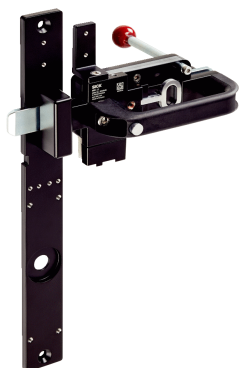


MB1-BL11

MB1

MECHANICAL BOLTS FOR SAFETY SWITCHES

SICK
Sensor Intelligence.



Ordering information

Type	Part no.
MB1-BL11	1091790

Other models and accessories → www.sick.com/MB1

Detailed technical data

Features

Installation tolerance (horizontal)	3 mm ... 30 mm
Model	
Catch release button/ANSI-compliant locking mechanism	✓
Escape release	✓
Frame plate with latching function	-
Suitable for	TR110 Lock safety locking device (with TR110-XAS actuator)
Items supplied	Bolt unit Long frame plate Adapters for actuator mounting (MB1-BRLK, MB1-BRNC) Safety screws for installing provided adapters Mounting instructions Escape release

Mechanical data

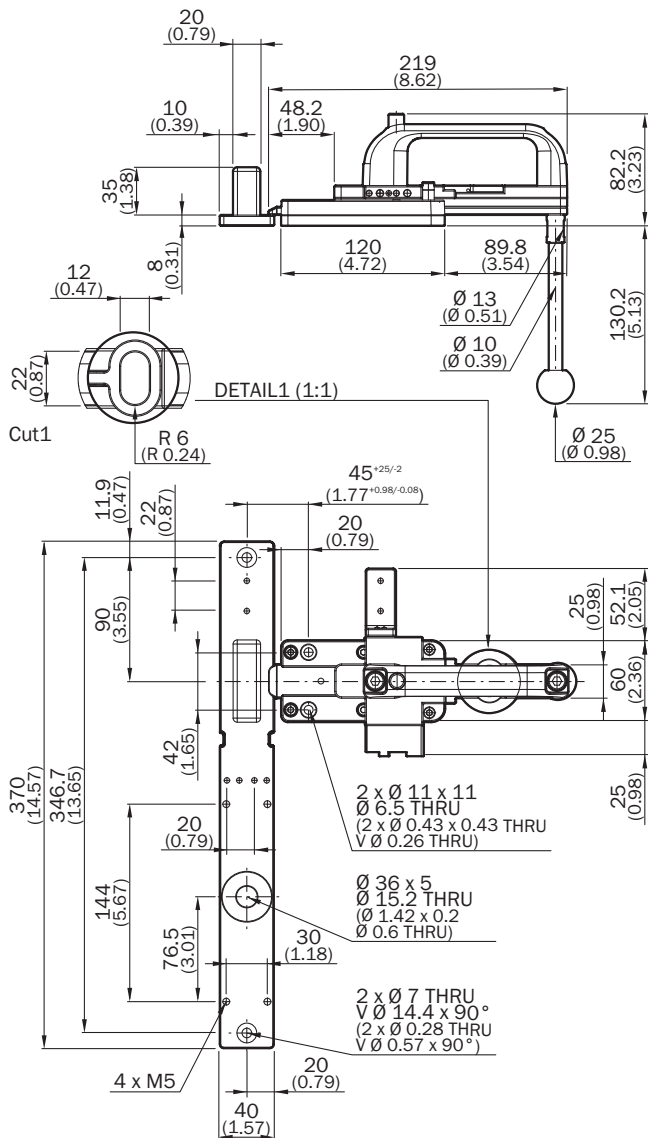
Weight	1.701 kg
Material	
Handle	VISTAL®
Bolt unit	Steel, zinc coated
Sliding carriage, base plate, frame plate	Aluminum (coated) Polyketone

Classifications

eCl@ss 5.0	27279202
eCl@ss 5.1.4	27279202
eCl@ss 6.0	27279202
eCl@ss 6.2	27279202
eCl@ss 7.0	27279202
eCl@ss 8.0	27279202
eCl@ss 8.1	27279202
eCl@ss 9.0	27273701
eCl@ss 10.0	27273701

eCI@ss 11.0	27273701
eCI@ss 12.0	27273701
ETIM 5.0	EC002594
ETIM 6.0	EC002594
ETIM 7.0	EC002594
ETIM 8.0	EC002594
UNSPSC 16.0901	31161606

Dimensional drawing (Dimensions in mm (inch))



SICK AT A GLANCE

SICK is one of the leading manufacturers of intelligent sensors and sensor solutions for industrial applications. A unique range of products and services creates the perfect basis for controlling processes securely and efficiently, protecting individuals from accidents and preventing damage to the environment.

We have extensive experience in a wide range of industries and understand their processes and requirements. With intelligent sensors, we can deliver exactly what our customers need. In application centers in Europe, Asia and North America, system solutions are tested and optimized in accordance with customer specifications. All this makes us a reliable supplier and development partner.

Comprehensive services complete our offering: SICK LifeTime Services provide support throughout the machine life cycle and ensure safety and productivity.

For us, that is “Sensor Intelligence.”

WORLDWIDE PRESENCE:

Contacts and other locations –www.sick.com