

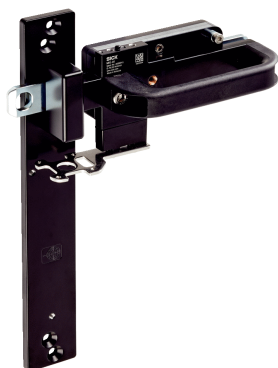


# MB1-BT00

MB1

**MECHANICAL BOLTS FOR SAFETY SWITCHES**

**SICK**  
Sensor Intelligence.



### Ordering information

Type	Part no.
MB1-BT00	1091792

Other models and accessories → [www.sick.com/MB1](http://www.sick.com/MB1)

### Detailed technical data

#### Features

<b>Installation tolerance (horizontal)</b>	3 mm ... 30 mm
<b>Model</b>	
Catch release button/ANSI-compliant locking mechanism	–
Escape release	–
Frame plate with latching function	–
<b>Suitable for</b>	TR10 Lock safety locking device
<b>Items supplied</b>	Bolt unit Frame plate TR10 Lock Adapter for actuator mounting (MB1-BRTR) Safety screws for installing provided adapters Mounting instructions

#### Mechanical data

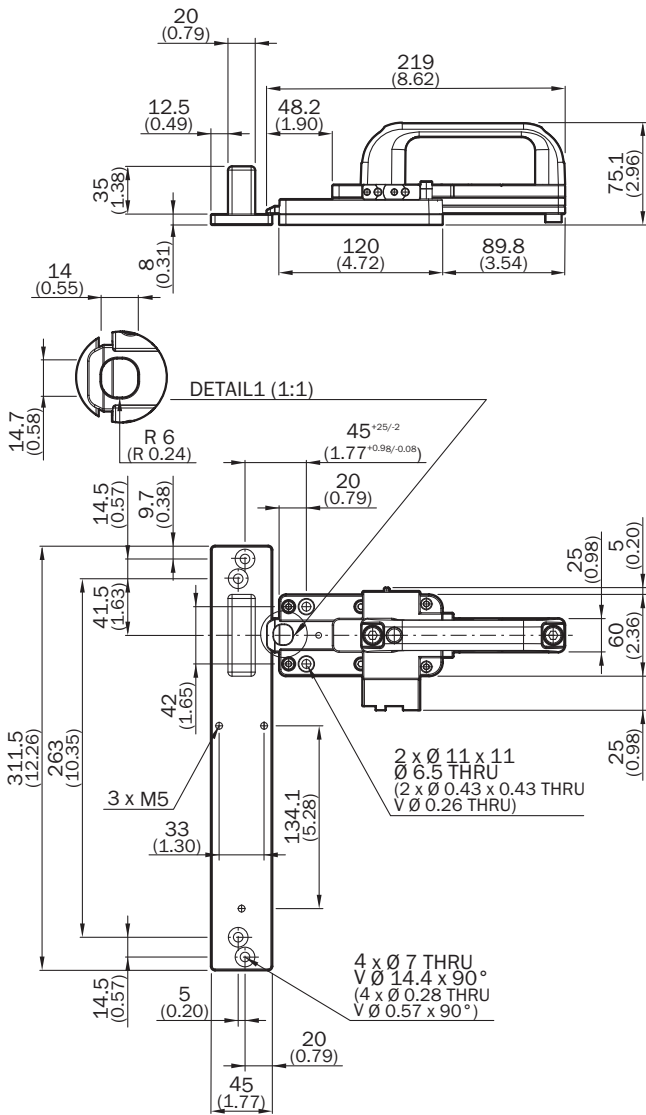
<b>Weight</b>	1.587 kg
<b>Material</b>	
Handle	VISTAL®
Bolt unit	Steel, zinc coated
Sliding carriage, base plate, frame plate	Aluminum (coated) Polyketone

#### Classifications

<b>eCl@ss 5.0</b>	27279202
<b>eCl@ss 5.1.4</b>	27279202
<b>eCl@ss 6.0</b>	27279202
<b>eCl@ss 6.2</b>	27279202
<b>eCl@ss 7.0</b>	27279202
<b>eCl@ss 8.0</b>	27279202
<b>eCl@ss 8.1</b>	27279202
<b>eCl@ss 9.0</b>	27273701
<b>eCl@ss 10.0</b>	27273701
<b>eCl@ss 11.0</b>	27273701

<b>eCl@ss 12.0</b>	27273701
<b>ETIM 5.0</b>	EC002594
<b>ETIM 6.0</b>	EC002594
<b>ETIM 7.0</b>	EC002594
<b>ETIM 8.0</b>	EC002594
<b>UNSPSC 16.0901</b>	31161606

**Dimensional drawing** (Dimensions in mm (inch))



## SICK AT A GLANCE

SICK is one of the leading manufacturers of intelligent sensors and sensor solutions for industrial applications. A unique range of products and services creates the perfect basis for controlling processes securely and efficiently, protecting individuals from accidents and preventing damage to the environment.

We have extensive experience in a wide range of industries and understand their processes and requirements. With intelligent sensors, we can deliver exactly what our customers need. In application centers in Europe, Asia and North America, system solutions are tested and optimized in accordance with customer specifications. All this makes us a reliable supplier and development partner.

Comprehensive services complete our offering: SICK LifeTime Services provide support throughout the machine life cycle and ensure safety and productivity.

For us, that is “Sensor Intelligence.”

## WORLDWIDE PRESENCE:

Contacts and other locations –[www.sick.com](http://www.sick.com)