



OD7000-10401032  
OD7000

DISPLACEMENT MEASUREMENT SENSORS

**SICK**  
Sensor Intelligence.



### Ordering information

Type	Part no.
OD7000-10401032	6079490

Other models and accessories → [www.sick.com/OD7000](http://www.sick.com/OD7000)



### Detailed technical data

#### Features

<b>Measuring range</b>	35.5 mm ... 39.5 mm
<b>Measuring range</b>	4 mm
<b>Target</b>	Natural objects
<b>Resolution</b>	Axial 180 nm Lateral 8 µm
<b>Linearity</b>	≥ 1.4 µm
<b>Number of measuring channels</b>	1
<b>Light source</b>	LED Visible white light
<b>Type of light</b>	Visible white light
<b>Special task</b>	Coating thickness measurement
<b>LED risk group</b>	Risk group 1 IEC 62471

#### Interfaces

<b>Serial</b>	✓, RS-232, RS-422
Data transmission rate	RS-232: max. 1.8 MBaud, RS-422: max. 10 MBaud
<b>Ethernet</b>	✓, TCP/IP
Data transmission rate	100 Mbit/s
<b>Digital output</b>	
Number	0

#### Electronics

<b>Supply voltage <math>U_B</math></b>	DC 24 V, ± 10 % <sup>1)</sup>
<b>Power consumption</b>	4 W
<b>Warm-up time</b>	30 min
<b>Indication</b>	3 status LEDs
<b>Enclosure rating</b>	IP20 (IEC 60529)
<b>Protection class</b>	III (IEC 61140)

<sup>1)</sup> With separate power supply unit: AC 100 V ... 240 V, 50 Hz ... 60 Hz.

<b>Electrical safety</b>	IEC 61010
--------------------------	-----------

<sup>1)</sup> With separate power supply unit: AC 100 V ... 240 V, 50 Hz ... 60 Hz.

### Mechanics

<b>Dimensions (W x H x D)</b>	95 mm x 106 mm x 95 mm
<b>Weight</b>	500 g
<b>Optical fiber length</b>	3 m
<b>Connection type</b>	Female connector, RJ-45 Terminal strip, 9-pin

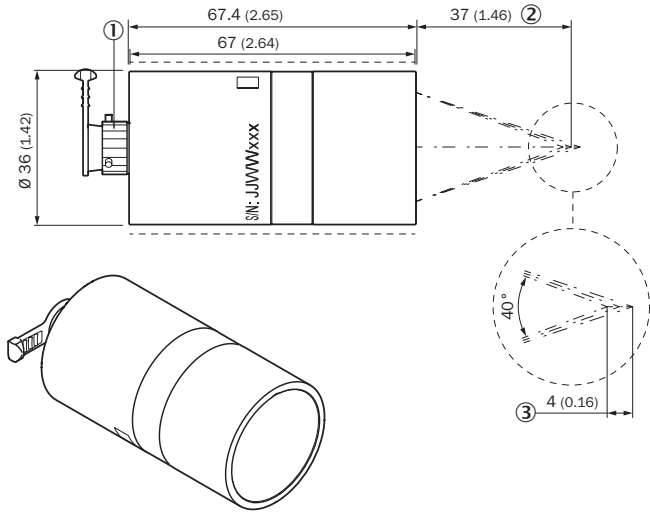
### Ambient data

<b>Ambient temperature, operation</b>	0 °C ... +50 °C
<b>Ambient temperature, storage</b>	-20 °C ... +70 °C
<b>Relative air humidity (non-condensing)</b>	30 % ... 75 %
<b>Electromagnetic compatibility (EMC)</b>	Radiated emission: EN 61326-1

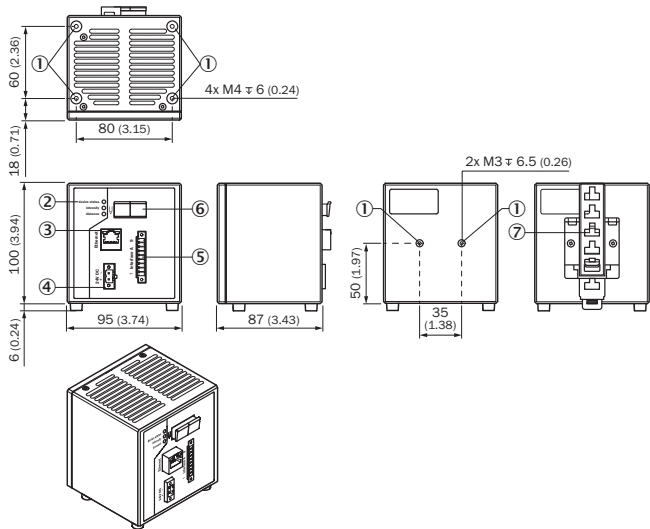
### Classifications

<b>ECLASS 5.0</b>	27270801
<b>ECLASS 5.1.4</b>	27270801
<b>ECLASS 6.0</b>	27270801
<b>ECLASS 6.2</b>	27270801
<b>ECLASS 7.0</b>	27270801
<b>ECLASS 8.0</b>	27270801
<b>ECLASS 8.1</b>	27270801
<b>ECLASS 9.0</b>	27270801
<b>ECLASS 10.0</b>	27270801
<b>ECLASS 11.0</b>	27270801
<b>ECLASS 12.0</b>	27270916
<b>ETIM 5.0</b>	EC001825
<b>ETIM 6.0</b>	EC001825
<b>ETIM 7.0</b>	EC001825
<b>ETIM 8.0</b>	EC001825
<b>UNSPSC 16.0901</b>	41111613

Dimensional drawing (Dimensions in mm (inch))



- ① Optical fiber connection
- ② Average measuring distance (typical)
- ③ Measuring range



- ① M4 threaded mounting hole
- ② Status LEDs
- ③ Ethernet connection
- ④ Connecting the voltage supply
- ⑤ Terminal strip interface A (serial interface RS422 / RS232, trigger)
- ⑥ Optical fiber connection
- ⑦ Mounting rail adapter

## SICK AT A GLANCE

SICK is one of the leading manufacturers of intelligent sensors and sensor solutions for industrial applications. A unique range of products and services creates the perfect basis for controlling processes securely and efficiently, protecting individuals from accidents and preventing damage to the environment.

We have extensive experience in a wide range of industries and understand their processes and requirements. With intelligent sensors, we can deliver exactly what our customers need. In application centers in Europe, Asia and North America, system solutions are tested and optimized in accordance with customer specifications. All this makes us a reliable supplier and development partner.

Comprehensive services complete our offering: SICK LifeTime Services provide support throughout the machine life cycle and ensure safety and productivity.

For us, that is “Sensor Intelligence.”

## WORLDWIDE PRESENCE:

Contacts and other locations –[www.sick.com](http://www.sick.com)