



OLM200-1002

OLM200

LINEAR MEASUREMENT SENSORS

SICK
Sensor Intelligence.



Ordering information

Type	Part no.
OLM200-1002	1051658

Other models and accessories → www.sick.com/OLM200



Detailed technical data

Mechanics/electronics

Supply voltage V_s	DC 18 V ... 30 V ¹⁾
Ripple	$\leq 5 V_{pp}$ ²⁾
Power consumption	< 5.5 W
Initialization time	3 s
Enclosure rating	IP65 (EN 60 529)
Protection class	III

¹⁾ Limit values, reverse-polarity protected.

²⁾ May not exceed or fall below U_y tolerances.

Performance

Measuring range	0 m ... 10,000 m ¹⁾
Resolution	0.1 mm, 1 mm, 10 mm, 100 mm
Repeatability	0.15 mm ²⁾
Response time	10 ms ³⁾
Output time	2.5 ms
Light source	LED, red
Accuracy of speed output	± 5 mm/s
Max. movement speed	7 m/s
Reading distance	100 mm, ± 20 mm
Barcode width	30 mm

¹⁾ Dependent on the set resolution and transfer protocol.

²⁾ Statistical error 3 s, no warm-up time required.

³⁾ Response time of digital output.

Interfaces

PROFIBUS DP	✓, DPV0
Digital input	Multifunctional input MF2
Digital output	
Number	1 ¹⁾
Type	PNP / NPN
Function	Position, speed, control mark Q00 (off), Q01 (on), illumination on/off, service [failure (dirt/LED service life), no barcode tape, over/under temperature, out of measuring range 0 km > position > 10 km, internal error]
Maximum output current I _A	≤ 100 mA ²⁾

¹⁾ Via multifunctional output MF1.

²⁾ Outputs MF1 short-circuit protected.

Ambient data

Electromagnetic compatibility (EMC)	EN 61000-6-2 EN 61000-6-4
Ambient temperature, operation	-30 °C ... +60 °C ¹⁾
Ambient temperature, storage	-40 °C ... +75 °C ²⁾
Typ. Ambient light immunity	≤ 5,000 lx ³⁾
Vibration resistance	DIN/EN 60068-2-6, DIN/EN 60068-2-64
Shock resistance	DIN/EN 60068-2-27

¹⁾ Temperatures < -20 °C with 5 min warm up time.

²⁾ Max. 95 % humidity, non-condensing.

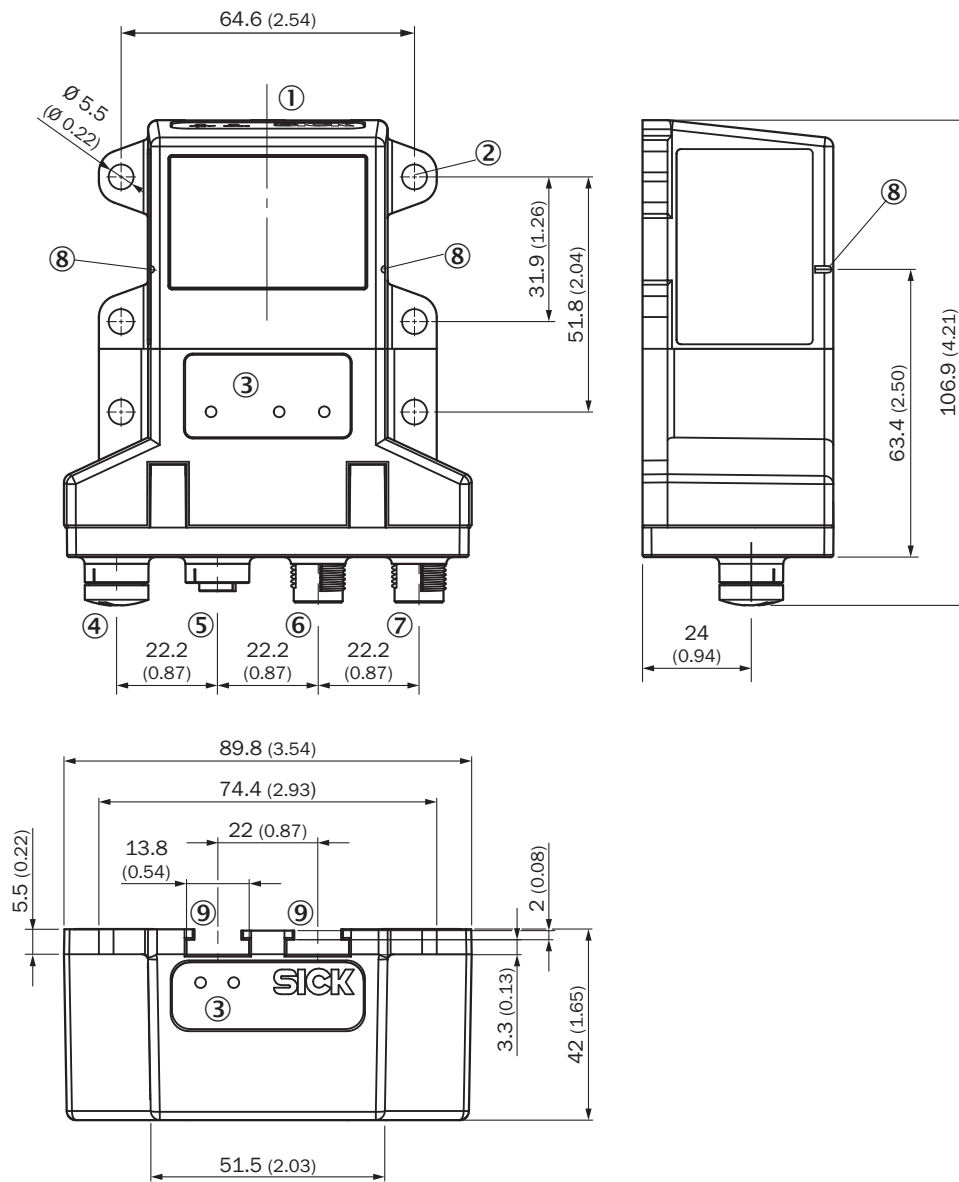
³⁾ Typ. value at +25 °C ambient temperature.

Classifications

eCl@ss 5.0	27270890
eCl@ss 5.1.4	27270890
eCl@ss 6.0	27270890
eCl@ss 6.2	27270890
eCl@ss 7.0	27270890
eCl@ss 8.0	27270890
eCl@ss 8.1	27270890
eCl@ss 9.0	27270890
eCl@ss 10.0	27270890
eCl@ss 11.0	27270890
eCl@ss 12.0	27280106
ETIM 5.0	EC001825
ETIM 6.0	EC001825
ETIM 7.0	EC001825
ETIM 8.0	EC001825
UNSPSC 16.0901	39121528

Dimensional drawing (Dimensions in mm (inch))

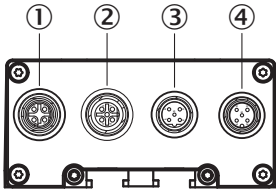
OLM200, PROFIBUS



- ① Reference axis position measurement
- ② Fixing hole
- ③ Status LED [status]
- ④ Ethernet connection M12, 4-pin
- ⑤ Fieldbus connection M12, 5-pin (e. g., PROFIBUS out)
- ⑥ Fieldbus connection M12, 5-pin (e.g. PROFIBUS in)
- ⑦ Connector M12, 5-pin
- ⑧ Adjustment aid (slot)
- ⑨ T-slot

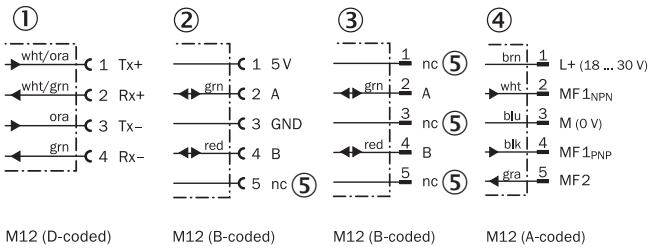
Connection type

Socket 1 x M12, 4-pin 1 x M12, 5-pin connector 1 x M12, 5-pin



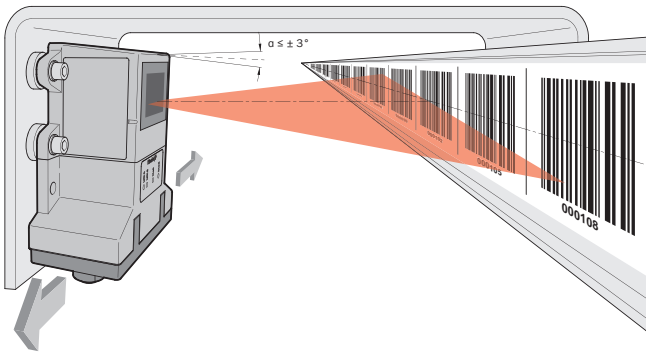
- ① Ethernet connection M12, 4-pin
- ② Fieldbus connection M12, 5-pin (e. g., PROFIBUS out)
- ③ Fieldbus connection M12, 5-pin (e.g. PROFIBUS in)
- ④ Connector M12, 5-pin

Connection diagram



- ① Ethernet connection M12, 4-pin
- ② Fieldbus connection M12, 5-pin (e. g., PROFIBUS out)
- ③ Fieldbus connection M12, 5-pin (e.g. PROFIBUS in)
- ④ Connector M12, 5-pin
- ⑤ Not assigned

Application



Recommended accessories

Other models and accessories → www.sick.com/OLM200

	Brief description	Type	Part no.
Codes			
	30 mm, height: 60 mm, measuring range: customer-specific	Customer-specific bar code tape	5327812
	30 mm, height: 100 mm, measuring range: customer-specific	Customer-specific bar code tape	5327576
	30 mm, height: 25 mm, measuring range: customer-specific	Customer-specific bar code tape	5328960
	30 mm, height: 40 mm, measuring range: customer-specific	Customer-specific bar code tape	5323951
	30 mm, height: 30 mm, measuring range: customer-specific	Customer-specific bar code tape	5322556
Other mounting accessories			
	4 pieces, Sliding nut set, M5, 4x, Included in delivery	Sliding nuts	2017550
Plug connectors and cables			
	Head A: female connector, M12, 5-pin, straight, B-coded Head B: Flying leads Cable: PROFIBUS DP, twisted pair, PUR, halogen-free, shielded, 5 m	DOL-1205-G05MQ	6026006
	Head A: female connector, M12, 5-pin, angled, B-coded Head B: Flying leads Cable: PROFIBUS DP, twisted pair, PUR, halogen-free, shielded, 5 m	DOL-1205-W05MQ	6041423
	Head A: male connector, M12, 5-pin, angled, B-coded Head B: Flying leads Cable: PROFIBUS DP, twisted pair, PUR, halogen-free, shielded, 5 m	STL-1205-W05MQ	6041426
	Head A: male connector, M12, 4-pin, angled, D-coded Head B: male connector, RJ45, 8-pin, straight Cable: Ethernet, PUR, halogen-free, shielded, 2 m	SSL-2J04-H02ME	6047911
	Head A: male connector, M12, 4-pin, straight, D-coded Head B: male connector, RJ45, 4-pin, straight Cable: Ethernet, PROFINET, PUR, halogen-free, shielded, 2 m	YM2D24-020PN1MRJA4	2106182
	Head A: male connector, M12, 4-pin, straight, B-coded Cable: PROFIBUS DP, terminal resistor	STE-END-Q	6021156

Recommended services

Additional services → www.sick.com/OLM200

	Type	Part no.
Warranty extensions		
<ul style="list-style-type: none">• Product area: Identification solutions, machine vision, Distance sensors, Detection and ranging solutions• Range of services: The services correspond to the scope of the statutory manufacturer warranty (SICK general terms of delivery).• Duration: Five-year warranty from delivery date.	Extended warranty for a total of five years from delivery date	1680671

SICK AT A GLANCE

SICK is one of the leading manufacturers of intelligent sensors and sensor solutions for industrial applications. A unique range of products and services creates the perfect basis for controlling processes securely and efficiently, protecting individuals from accidents and preventing damage to the environment.

We have extensive experience in a wide range of industries and understand their processes and requirements. With intelligent sensors, we can deliver exactly what our customers need. In application centers in Europe, Asia and North America, system solutions are tested and optimized in accordance with customer specifications. All this makes us a reliable supplier and development partner.

Comprehensive services complete our offering: SICK LifeTime Services provide support throughout the machine life cycle and ensure safety and productivity.

For us, that is “Sensor Intelligence.”

WORLDWIDE PRESENCE:

Contacts and other locations –www.sick.com