



RFA621-001

RFID antennas

RFID

SICK
Sensor Intelligence.



Ordering information

Type	Part no.
RFA621-001	1073139

Other models and accessories → www.sick.com/RFID_antennas

Detailed technical data

Features

Version	Long Range
Frequency band	UHF (860 MHz ... 960 MHz)
Carrier frequency	902 MHz ... 928 MHz
Output power	4 W (EIRP)
Gain	Typ. 4.4 dBic
3 dB aperture angle	Typ. 95°
Antenna	
Polarization	Circular polarised / RHCP

Mechanics/electronics

Housing material	Aluminum Polycarbonat (front)
Enclosure rating	IP67
Weight	490 g
Dimensions (L x W x H)	35.1 mm x 125.9 mm x 170.5 mm

Ambient data

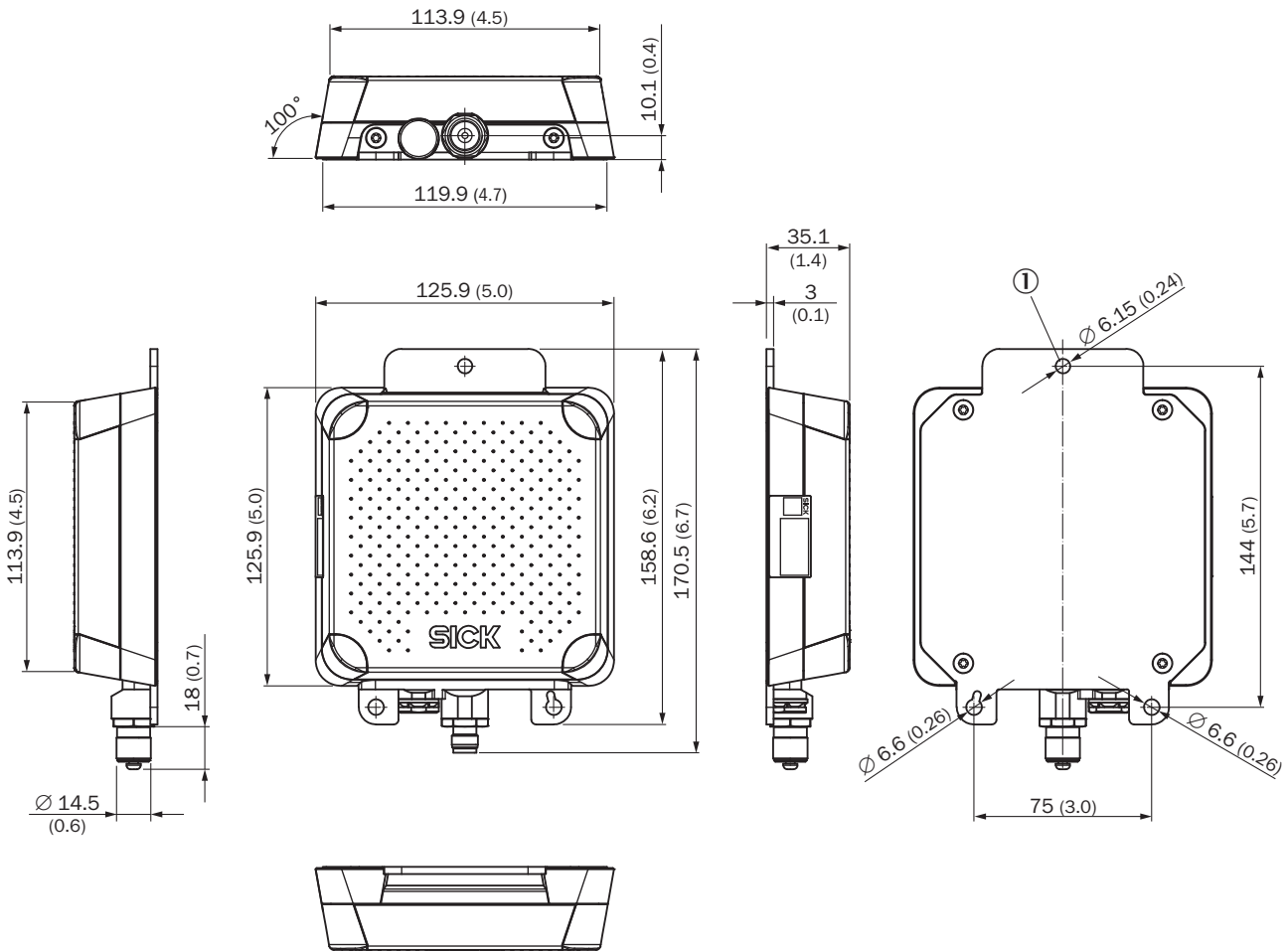
Ambient operating temperature	-25 °C ... +50 °C
Storage temperature	-30 °C ... +70 °C
Permissible relative humidity	95 %, Non-condensing

Classifications

ECLASS 5.0	27280402
ECLASS 5.1.4	27280402
ECLASS 6.0	27280402
ECLASS 6.2	27280402
ECLASS 7.0	27280402
ECLASS 8.0	27280402
ECLASS 8.1	27280402
ECLASS 9.0	27280402

ECLASS 10.0	27280402
ECLASS 11.0	27280402
ECLASS 12.0	27280402
ETIM 6.0	EC002998
ETIM 7.0	EC002998
ETIM 8.0	EC002998
UNSPSC 16.0901	52161523

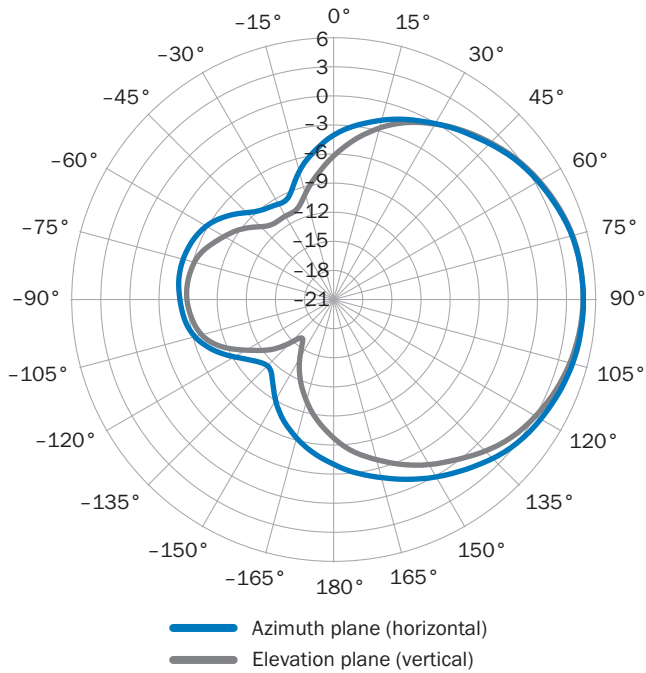
Dimensional drawing (Dimensions in mm (inch))



① Mounting hole for M6 screws (3 x)

Radiation pattern

Measured antenna gain in dBic in dBic at 866.5 MHz, RHCP (right-hand circular polarized)



Recommended services

Additional services → www.sick.com/RFID_antennas

	Type	Part no.
Commissioning		
<ul style="list-style-type: none"> • Product area: RFID • Range of services: Inspection of connection, alignment, optimization of parameters of the RFU/RFH as well as tests, Setup of previously defined functions of reading configuration, data processing and network, interfaces and inputs and outputs • Duration: Additional work will be invoiced separately 	Commissioning RFU/RFH	1610018
Maintenance		
<ul style="list-style-type: none"> • Product area: RFID • Range of services: Inspection, analysis and restoring of defined functions, Checking and adjustment of reading configuration, data processing, network, interfaces and inputs and outputs as well as operating data • Duration: Additional work will be invoiced separately 	Maintenance RFU/RFH	1611424

SICK AT A GLANCE

SICK is one of the leading manufacturers of intelligent sensors and sensor solutions for industrial applications. A unique range of products and services creates the perfect basis for controlling processes securely and efficiently, protecting individuals from accidents and preventing damage to the environment.

We have extensive experience in a wide range of industries and understand their processes and requirements. With intelligent sensors, we can deliver exactly what our customers need. In application centers in Europe, Asia and North America, system solutions are tested and optimized in accordance with customer specifications. All this makes us a reliable supplier and development partner.

Comprehensive services complete our offering: SICK LifeTime Services provide support throughout the machine life cycle and ensure safety and productivity.

For us, that is “Sensor Intelligence.”

WORLDWIDE PRESENCE:

Contacts and other locations –www.sick.com