



# S10B-9011DA

S100

2D LIDAR SENSORS

**SICK**  
Sensor Intelligence.



### Ordering information

| Type        | Part no. |
|-------------|----------|
| S10B-9011DA | 1042267  |

The system plug has to be ordered separately. For details, see "Accessories".

Other models and accessories → [www.sick.com/S100](http://www.sick.com/S100)



### Detailed technical data

#### Features

|                           |  |
|---------------------------|--|
| <b>Application</b>        | Indoor   |
| <b>Light source</b>       | Infrared (905 nm)  |
| <b>Laser class</b>        | 1, complies with 21 CFR 1040.10 and 1040.11 except for the conformance according to "Laser Notice No. 50" from June 24, 2007 (IEC 60825-1:2014, EN 60825-1:2014) |
| <b>Aperture angle</b>     | Horizontal 270°  |
| <b>Scanning frequency</b> | 25 Hz  |
| <b>Angular resolution</b> | Horizontal 0.5°, 1°  |
| <b>Working range</b>      | 0 m ... 10 m   |
| <b>Scanning range</b>     | At 10% remission factor 4.5 m  |

#### Mechanics/electronics

|                               |   |
|-------------------------------|---|
| <b>Connection type</b>        | 1 x system plug with screw terminal block (accessory) |
| <b>Supply voltage</b>         | 16.8 V DC ... 30 V DC                                 |
| <b>Power consumption</b>      | 8 W   |
| <b>Output current</b>         | ≤ 250 mA  |
| <b>Housing color</b>          | Black (RAL 9005)                                      |
| <b>Enclosure rating</b>       | IP65 (EN 60529, Section 14.2.5)                       |
| <b>Protection class</b>       | II (VDE 0106, EN50178)                                |
| <b>Weight</b>                 | 1.2 kg, without connecting cables                     |
| <b>Dimensions (L x W x H)</b> | 105 mm x 102 mm x 152 mm                              |
| <b>MTBF</b>                   | > 100 years   |

#### Safety-related parameters

|                         |             |
|-------------------------|-------------|
| <b>MTTF<sub>D</sub></b> | > 100 years |
|-------------------------|-------------|

## Performance

|                                      |  |
|--------------------------------------|--|
| <b>Detectable object shape</b>       | Almost any (diameter: 30 mm, 40 mm, 50 mm, 70 mm, 150 mm (selectable)) |
| <b>Integrated application</b>        | Field evaluation   |
| <b>Number of field sets</b>          | 16 field pairs (32 fields)   |
| <b>Simultaneous evaluation cases</b> | 1 (2 fields)   |

## Interfaces

|                           |  |
|---------------------------|--|
| <b>Serial</b>             | ✓, RS-232  |
| <b>CANopen</b>            | ✓  |
| <b>Digital inputs</b>     | 5 (4 x IN, standby)  |
| <b>Digital outputs</b>    | 5 (Q1, Q2, Q̄1, Q̄2, diagnosis)                                |
| <b>Optical indicators</b> | 1 7-segment display (contamination warning, initial condition) |

## Ambient data

|  |                                  |
|--|----------------------------------|
| <b>Object remission</b>                    | 1.8 % ... > 1,000 % (reflectors) |
| <b>Electromagnetic compatibility (EMC)</b> | EN 61000-6-2:2005-08             |
| <b>Vibration resistance</b>                | IEC 60068-2-6:2007-12            |
| <b>Shock resistance</b>                    | IEC 60068-2-29:1987              |
| <b>Ambient operating temperature</b>       | -10 °C ... +50 °C                |
| <b>Storage temperature</b>                 | -30 °C ... +70 °C                |

## General notes

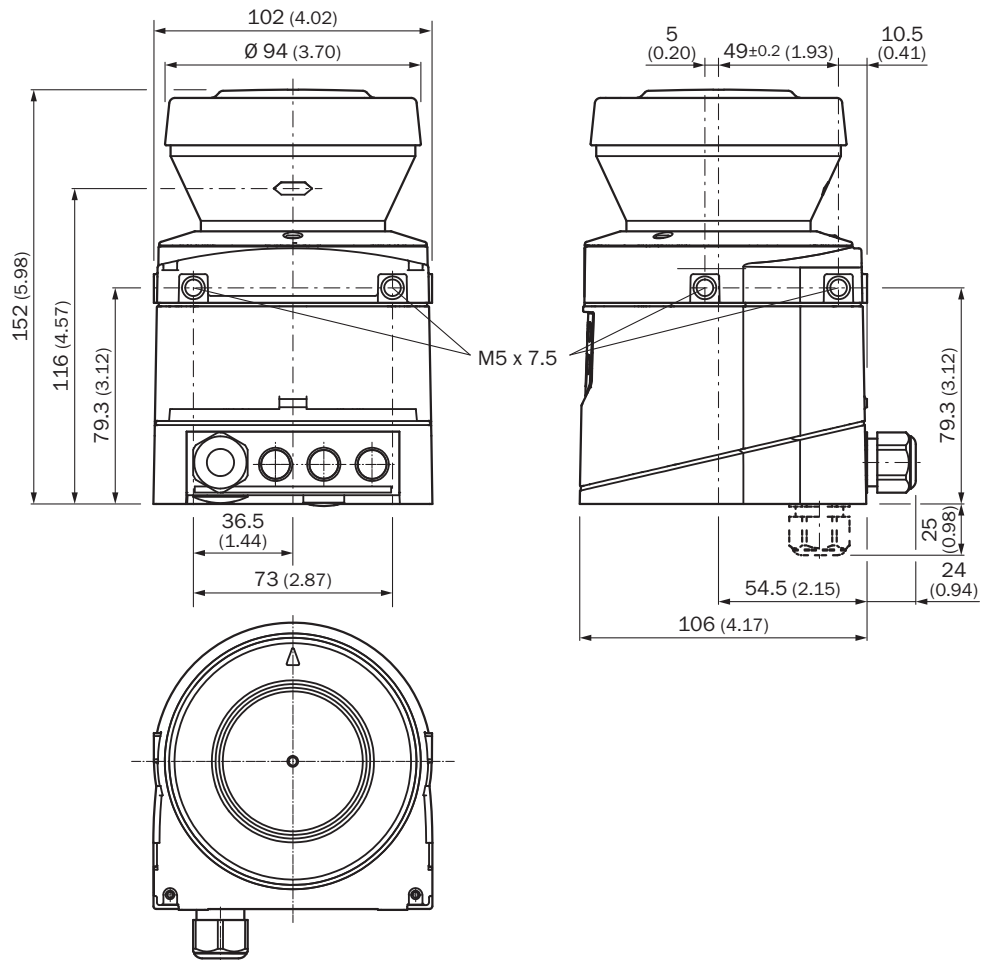
|                    |   |
|--------------------|---|
| <b>Note on use</b> | The sensor does not constitute a safety component as defined by relevant legislation on machine safety. |
|--------------------|---|

## Classifications

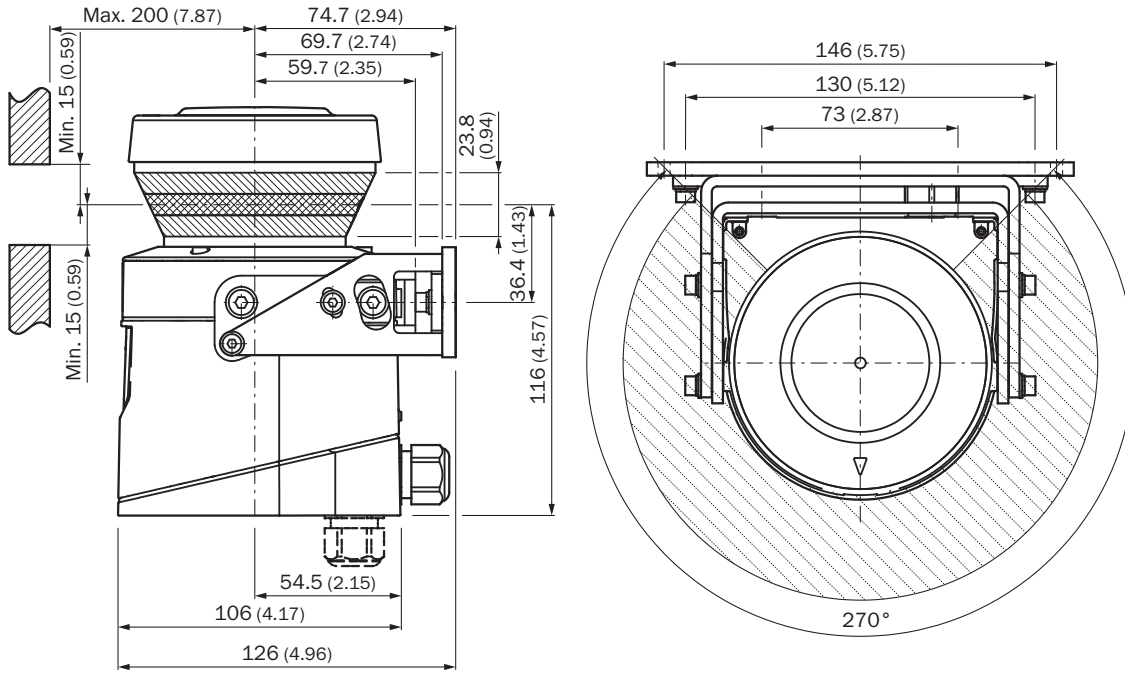
|                       |          |
|-----------------------|----------|
| <b>ECLASS 5.0</b>     | 27270990 |
| <b>ECLASS 5.1.4</b>   | 27270990 |
| <b>ECLASS 6.0</b>     | 27270913 |
| <b>ECLASS 6.2</b>     | 27270913 |
| <b>ECLASS 7.0</b>     | 27270913 |
| <b>ECLASS 8.0</b>     | 27270913 |
| <b>ECLASS 8.1</b>     | 27270913 |
| <b>ECLASS 9.0</b>     | 27270913 |
| <b>ECLASS 10.0</b>    | 27270913 |
| <b>ECLASS 11.0</b>    | 27270913 |
| <b>ECLASS 12.0</b>    | 27270913 |
| <b>ETIM 5.0</b>       | EC002550 |
| <b>ETIM 6.0</b>       | EC002550 |
| <b>ETIM 7.0</b>       | EC002550 |
| <b>ETIM 8.0</b>       | EC002550 |
| <b>UNSPSC 16.0901</b> | 41111615 |

### Dimensional drawing (Dimensions in mm (inch))

Laser scanner

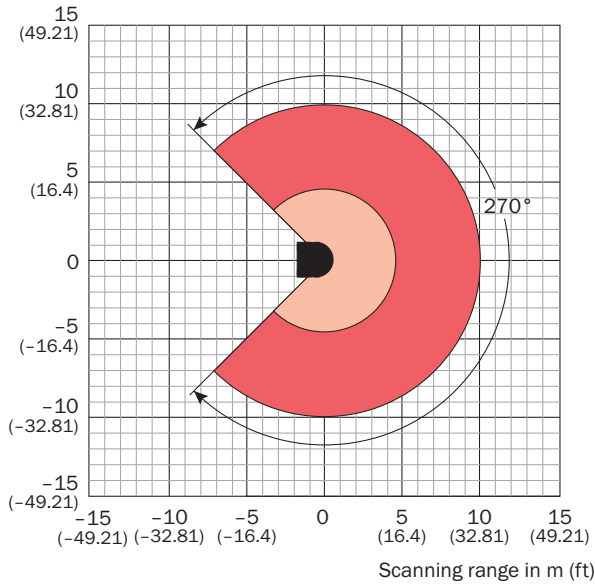


Scan plane origin



Working range diagram



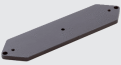



Scanning range in m (ft)



- Scanning range max. 10 m (32.81 ft)
- Scanning range for objects up to 10 % remission 4.5 m (14.76 ft)

### Recommended accessories

Other models and accessories → [www.sick.com/S100](http://www.sick.com/S100)

|   | Brief description  | Type               | Part no. |
|---|--|--------------------|----------|
| Mounting brackets and plates  |  |                    |          |
|  | 1 piece, mounting bracket for rear mounting on wall or machine with protection of optics hood  | Mounting kit 1b    | 2034325  |
|  | 1 piece, mounting bracket, adjustable lateral axis, only in conjunction with mounting kit 1a (2034324) or 1b (2034325)   | Mounting kit 2     | 2039302  |
|  | 1 piece, mounting plate, adjustable longitudinal axis, only in conjunction with mounting kit 2 (2039302)   | Mounting kit 3     | 2039303  |
| Others  |  |                    |          |
|  | <ul style="list-style-type: none"> <li>• <b>Connection type head A:</b> Male connector, M8, 4-pin, straight</li> <li>• <b>Connection type head B:</b> Male connector, USB-A, straight</li> <li>• <b>Cable:</b> 2 m, 4-wire, PVC</li> <li>• <b>Description:</b> Unshielded, Configuration cable with integrated RS-232 transducer on USB for connecting a sensor configuration connection (M8, 4-pin) to the USB interface of a PC</li> </ul>                                       | DSL-8U04G02M025KM1 | 6034574  |
|  | PS50W-24V  | PS50W-24V          | 7028789  |
|  | <ul style="list-style-type: none"> <li>• <b>Connection type head A:</b> System plug</li> <li>• <b>Items supplied:</b> With 1 x cable gland M16, 1 x blanking plug M16, 2 x blanking plug M12</li> <li>• <b>Cable:</b> 10 m, 15-wire, PVC</li> <li>• <b>Description:</b> Pre-assembled, Not for use of incremental encoders, integrated configuration storage, unshielded, For S300 Advanced, Expert and Professional</li> <li>• <b>Connection systems:</b> Flying leads</li> </ul> | SX0B-B1510G        | 2034265  |

### Recommended services

Additional services → [www.sick.com/S100](http://www.sick.com/S100)

|   | Type                         | Part no. |
|---|------------------------------|----------|
| Maintenance   |                              |          |
| <ul style="list-style-type: none"> <li>• <b>Product area:</b> 2D LiDAR sensors, 3D LiDAR sensors</li> <li>• <b>Range of services:</b> Inspection, analysis and restoring of defined functions, Inspection and adaptation of basic settings, parameters of field application, filters for raw data output, and product-specific configuration</li> <li>• <b>Duration:</b> Additional work will be invoiced separately</li> </ul>   | Maintenance of LiDAR sensors | 1682593  |
| Commissioning   |                              |          |
| <ul style="list-style-type: none"> <li>• <b>Product area:</b> 2D LiDAR sensors, 3D LiDAR sensors</li> <li>• <b>Range of services:</b> Inspection of connection, fine adjustment, configuration of monitored areas, configuration and optimization of parameters as well as tests, Setup of previously defined functions of basic settings, parameters of field application, filters for raw data output and product-specific configuration</li> <li>• <b>Duration:</b> Additional work will be invoiced separately</li> </ul> | Commissioning LiDAR sensors  | 1680672  |

|   | Type   | Part no. |
|---|--|----------|
| Extended warranty   |  |          |
| <ul style="list-style-type: none"><li>• <b>Product area:</b> Machine vision, LiDAR sensors, safety camera sensors, Safety laser scanners, Safety radar sensors, Radar sensors, Fixed mount barcode scanners, Image-based code readers, RFID, Mobile handheld scanners</li><li>• <b>Range of services:</b> The services correspond to the scope of the statutory manufacturer warranty (SICK general terms of delivery).</li><li>• <b>Duration:</b> Five-year warranty from delivery date.</li></ul> | Extended warranty for a total of five years from delivery date | 1680671  |

## SICK AT A GLANCE

SICK is one of the leading manufacturers of intelligent sensors and sensor solutions for industrial applications. A unique range of products and services creates the perfect basis for controlling processes securely and efficiently, protecting individuals from accidents and preventing damage to the environment.

We have extensive experience in a wide range of industries and understand their processes and requirements. With intelligent sensors, we can deliver exactly what our customers need. In application centers in Europe, Asia and North America, system solutions are tested and optimized in accordance with customer specifications. All this makes us a reliable supplier and development partner.

Comprehensive services complete our offering: SICK LifeTime Services provide support throughout the machine life cycle and ensure safety and productivity.

For us, that is “Sensor Intelligence.”

## WORLDWIDE PRESENCE:

Contacts and other locations –[www.sick.com](http://www.sick.com)