



STE-0803-WSK

Field-wireable connectors

SICK
Sensor Intelligence.



Illustration may differ



Ordering information

Type	Part no.
STE-0803-WSK	6053170

Please consider the operational voltage of the connector. For sensors with an integrated cable and flying leads the operational voltage of the connector can be lower than the operational voltage of the sensor.

Other models and accessories → www.sick.com/Field-wireable_connectors

Detailed technical data

Technical specifications

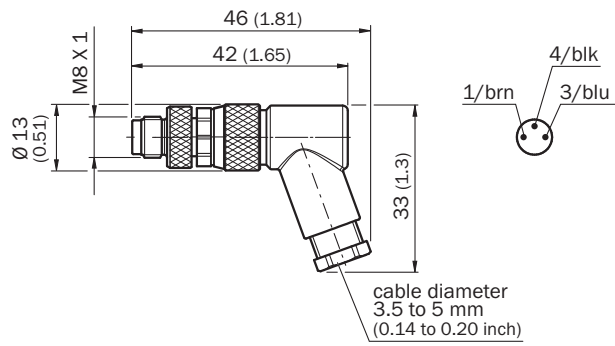
Connection type head A	Male connector, M8, 3-pin, angled, A-coded
Connection type	Screw-type terminals
Connector material	PBT
Connector color	Black
Locking nut material	Nickel-plated brass
Tightening torque	0.6 Nm
Shielding	Unshielded
Permitted cross-section	0.14 mm ² ... 0.5 mm ²
Reference voltage	≤ 60 V
Current loading	4 A
UL File No.	E335179
Enclosure rating	IP67
Operating temperature	Head -40 °C ... +85 °C

Classifications

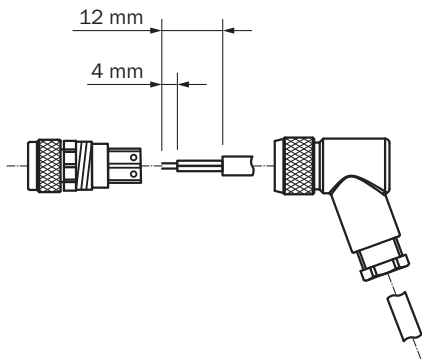
ECLASS 5.0	27279290
ECLASS 5.1.4	27279290
ECLASS 6.0	27279221
ECLASS 6.2	27279221
ECLASS 7.0	27440104
ECLASS 8.0	27440104
ECLASS 8.1	27440104
ECLASS 9.0	27440102
ECLASS 10.0	27440102
ECLASS 11.0	27440102
ECLASS 12.0	27440116
ETIM 5.0	EC002635

ETIM 6.0	EC002635
ETIM 7.0	EC002635
ETIM 8.0	EC002635
UNSPSC 16.0901	39121421

Dimensional drawing (Dimensions in mm (inch))



Installation drawing



SICK AT A GLANCE

SICK is one of the leading manufacturers of intelligent sensors and sensor solutions for industrial applications. A unique range of products and services creates the perfect basis for controlling processes securely and efficiently, protecting individuals from accidents and preventing damage to the environment.

We have extensive experience in a wide range of industries and understand their processes and requirements. With intelligent sensors, we can deliver exactly what our customers need. In application centers in Europe, Asia and North America, system solutions are tested and optimized in accordance with customer specifications. All this makes us a reliable supplier and development partner.

Comprehensive services complete our offering: SICK LifeTime Services provide support throughout the machine life cycle and ensure safety and productivity.

For us, that is “Sensor Intelligence.”

WORLDWIDE PRESENCE:

Contacts and other locations –www.sick.com