



STL-1205-G10MACSCO

Sensor/actuator cable

SICK
Sensor Intelligence.



Ordering information

| Type | Part no. |
|--------------------|----------|
| STL-1205-G10MACSCO | 2097306 |

Other models and accessories → www.sick.com/Sensor_actuator_cable



Detailed technical data

Technical specifications

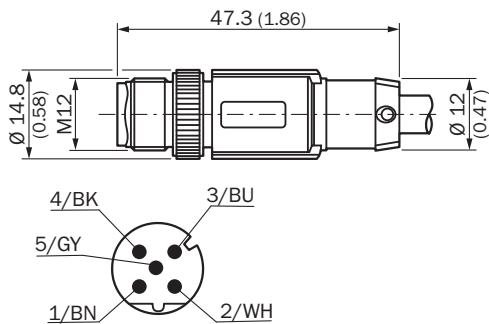
| | | | | | |
|--------------------------------|--|--------------|-----------------------|---------------------|----------------------|
| Connection type head A | Male connector, M12, 5-pin, straight | | | | |
| Connection type head B | Flying leads | | | | |
| Connection type | Flying leads | | | | |
| Locking plug connector | Quick screw connection | | | | |
| Connector material | TPU | | | | |
| Connector color | Black | | | | |
| Locking nut material | Zinc die-cast, nickel-plated | | | | |
| Tightening torque | 0.4 Nm | | | | |
| Cable | 10 m, 5-wire, PUR, halogen-free | | | | |
| Jacket material | PUR, halogen-free | | | | |
| Jacket color | Black | | | | |
| Cable diameter | 5.3 mm | | | | |
| Conductor cross section | 0.34 mm ² | | | | |
| Shielding | Shielded | | | | |
| Bending radius | <table border="0"> <tr> <td style="padding-right: 20px;">Flexible use</td> <td>> 10 x cable diameter</td> </tr> <tr> <td>Stationary position</td> <td>> 5 x cable diameter</td> </tr> </table> | Flexible use | > 10 x cable diameter | Stationary position | > 5 x cable diameter |
| Flexible use | > 10 x cable diameter | | | | |
| Stationary position | > 5 x cable diameter | | | | |
| Bending cycles | ≥ 4,000,000 | | | | |
| Reference voltage | ≤ 60 V | | | | |
| Current loading | 4 A | | | | |
| Traversing speed | 3 m/s | | | | |
| Travelling distance | 10 m | | | | |
| Acceleration | ≤ 10 m/s ² | | | | |
| Signal type | Sensor/actuator cable | | | | |
| Application | Zones with oils and lubricants Drag chain operation | | | | |
| Authorizations | UL | | | | |
| Enclosure rating | IP65/ IP67/ IP68 | | | | |

| | | |
|------------------------------|---------------------|-------------------|
| Operating temperature | Flexible use | -25 °C ... +80 °C |
| | Stationary position | -40 °C ... +80 °C |
| | Head | -25 °C ... +90 °C |
| | | |
| Contamination rating | | 3 |
| Insulation resistance | | 100 MΩ |
| Overvoltage category | | III |

Classifications

| | |
|-----------------------|----------|
| ECLASS 5.0 | 19030312 |
| ECLASS 5.1.4 | 19030312 |
| ECLASS 6.0 | 27060304 |
| ECLASS 6.2 | 27060304 |
| ECLASS 7.0 | 27060304 |
| ECLASS 8.0 | 27060304 |
| ECLASS 8.1 | 27060304 |
| ECLASS 9.0 | 27060304 |
| ECLASS 10.0 | 27060304 |
| ECLASS 11.0 | 27060304 |
| ECLASS 12.0 | 27060304 |
| ETIM 5.0 | EC000830 |
| ETIM 6.0 | EC000830 |
| ETIM 7.0 | EC003249 |
| ETIM 8.0 | EC003249 |
| UNSPSC 16.0901 | 26121604 |

Dimensional drawing (Dimensions in mm (inch))



SICK AT A GLANCE

SICK is one of the leading manufacturers of intelligent sensors and sensor solutions for industrial applications. A unique range of products and services creates the perfect basis for controlling processes securely and efficiently, protecting individuals from accidents and preventing damage to the environment.

We have extensive experience in a wide range of industries and understand their processes and requirements. With intelligent sensors, we can deliver exactly what our customers need. In application centers in Europe, Asia and North America, system solutions are tested and optimized in accordance with customer specifications. All this makes us a reliable supplier and development partner.

Comprehensive services complete our offering: SICK LifeTime Services provide support throughout the machine life cycle and ensure safety and productivity.

For us, that is “Sensor Intelligence.”

WORLDWIDE PRESENCE:

Contacts and other locations –www.sick.com