



# STL-1208-G10MAC1

Sensor/actuator cable

**SICK**  
Sensor Intelligence.



Illustration may differ

## Ordering information

| Type             | Part no. |
|------------------|----------|
| STL-1208-G10MAC1 | 6032454  |

For 8-pin sensor-actuator cables, the wire colors are not standardized. Therefore, please observe the pin assignment of the sensor and the cable in the respective data sheet.

Other models and accessories → [www.sick.com/Sensor\\_actuator\\_cable](http://www.sick.com/Sensor_actuator_cable)

## Detailed technical data

### Technical specifications

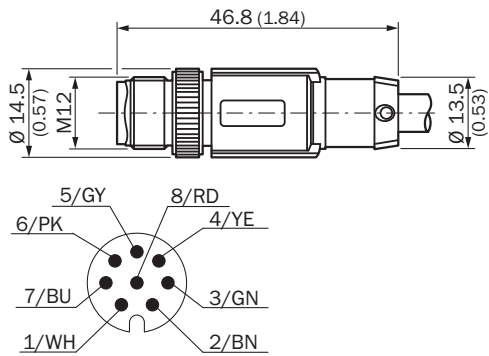
|                                |  |              |                       |                     |                      |
|--------------------------------|--|--------------|-----------------------|---------------------|----------------------|
| <b>Connection type head A</b>  | Male connector, M12, 8-pin, straight   |              |                       |                     |                      |
| <b>Connection type head B</b>  | Flying leads   |              |                       |                     |                      |
| <b>Connector material</b>      | TPU  |              |                       |                     |                      |
| <b>Connector color</b>         | Black  |              |                       |                     |                      |
| <b>Locking nut material</b>    | Brass, nickel-plated   |              |                       |                     |                      |
| <b>Cable</b>                   | 10 m, PUR, halogen-free  |              |                       |                     |                      |
| <b>Jacket material</b>         | PUR, halogen-free  |              |                       |                     |                      |
| <b>Jacket color</b>            | Black  |              |                       |                     |                      |
| <b>Cable diameter</b>          | 7 mm   |              |                       |                     |                      |
| <b>Conductor cross section</b> | 4 x 2 x 0.25 mm <sup>2</sup>   |              |                       |                     |                      |
| <b>Shielding</b>               | Shielded   |              |                       |                     |                      |
| <b>Bending radius</b>          | <table border="0"> <tr> <td style="padding-right: 20px;">Flexible use</td> <td>&gt; 10 x cable diameter</td> </tr> <tr> <td>Stationary position</td> <td>&gt; 5 x cable diameter</td> </tr> </table> | Flexible use | > 10 x cable diameter | Stationary position | > 5 x cable diameter |
| Flexible use                   | > 10 x cable diameter  |              |                       |                     |                      |
| Stationary position            | > 5 x cable diameter   |              |                       |                     |                      |
| <b>Reference voltage</b>       | ≤ 30 V   |              |                       |                     |                      |
| <b>Current loading</b>         | ≤ 4 A  |              |                       |                     |                      |
| <b>Traversing speed</b>        | 3 m/s  |              |                       |                     |                      |
| <b>Signal type</b>             | HIPERFACE <sup>®</sup> , SSI, Incremental  |              |                       |                     |                      |
| <b>Special feature</b>         | Twisted pair   |              |                       |                     |                      |
| <b>Application</b>             | Drag chain operation   |              |                       |                     |                      |
| <b>Enclosure rating</b>        | IP67   |              |                       |                     |                      |
| <b>Operating temperature</b>   | <table border="0"> <tr> <td style="padding-right: 20px;">Flexible use</td> <td>-25 °C ... +80 °C</td> </tr> <tr> <td>Head</td> <td>-25 °C ... +80 °C</td> </tr> </table>                             | Flexible use | -25 °C ... +80 °C     | Head                | -25 °C ... +80 °C    |
| Flexible use                   | -25 °C ... +80 °C  |              |                       |                     |                      |
| Head                           | -25 °C ... +80 °C  |              |                       |                     |                      |

### Classifications

|                     |          |
|---------------------|----------|
| <b>ECLASS 5.0</b>   | 19030312 |
| <b>ECLASS 5.1.4</b> | 19030312 |
| <b>ECLASS 6.0</b>   | 27060304 |
| <b>ECLASS 6.2</b>   | 27060304 |

|                       |          |
|-----------------------|----------|
| <b>ECLASS 7.0</b>     | 27060304 |
| <b>ECLASS 8.0</b>     | 27060304 |
| <b>ECLASS 8.1</b>     | 27060304 |
| <b>ECLASS 9.0</b>     | 27060304 |
| <b>ECLASS 10.0</b>    | 27060304 |
| <b>ECLASS 11.0</b>    | 27060304 |
| <b>ECLASS 12.0</b>    | 27060304 |
| <b>ETIM 5.0</b>       | EC000830 |
| <b>ETIM 6.0</b>       | EC000830 |
| <b>ETIM 7.0</b>       | EC003249 |
| <b>ETIM 8.0</b>       | EC003249 |
| <b>UNSPSC 16.0901</b> | 26121604 |

Dimensional drawing (Dimensions in mm (inch))



## SICK AT A GLANCE

SICK is one of the leading manufacturers of intelligent sensors and sensor solutions for industrial applications. A unique range of products and services creates the perfect basis for controlling processes securely and efficiently, protecting individuals from accidents and preventing damage to the environment.

We have extensive experience in a wide range of industries and understand their processes and requirements. With intelligent sensors, we can deliver exactly what our customers need. In application centers in Europe, Asia and North America, system solutions are tested and optimized in accordance with customer specifications. All this makes us a reliable supplier and development partner.

Comprehensive services complete our offering: SICK LifeTime Services provide support throughout the machine life cycle and ensure safety and productivity.

For us, that is “Sensor Intelligence.”

## WORLDWIDE PRESENCE:

Contacts and other locations –[www.sick.com](http://www.sick.com)