



SYS/SGD-W4104020101FX3

Safeguard Detector

SAFETY SYSTEMS FOR AUTOMATING MATERIAL FLOWS

SICK
Sensor Intelligence.



Ordering information

| Type | Part no. |
|------------------------|----------|
| SYS/SGD-W4104020101FX3 | 1129622 |

With purchase, you accept the product description available under Downloads > Documentation in connection with the General Terms and Conditions for the Supply of Software Products (AVB Software SICK).

System with activated license

Other models and accessories → www.sick.com/Safeguard_Detector



Detailed technical data

Features

| Safety-related parameters | |
|---|---|
| Category | Category 3 (EN ISO 13849-1) |
| Performance level | PL d (EN ISO 13849-1) |
| Performance class SRS/SRSS | D (IEC TS 62998-1) |
| PFH _D (mean probability of a dangerous failure per hour) | 1.0 x 10 ⁻⁷ |
| Items supplied | |
| | 1 x main module CPU0 1 x system connector for CPU0 1 x XTIO extension module (8 inputs, 4 outputs) 2 x WTB4F miniature photoelectric sensor 100 mm Software license |

Flexi Soft safety controller

| | |
|---|--|
| Note | The Flexi Soft station has a modular design and can be customized based on the operator's requirements. At least one main module, the right system plug, and at least one I/O module must be used. |
| Flexi Soft station construction | Modular 1 main module 1 system plug 0 ... 2 gateways 1 ... 12 expansion modules |
| Module interconnection | Internal bus (FLEXBUS+) |
| Configuration method | Via software |
| Configuration software | Flexi Soft Designer |
| Software | You can find the software in the Flexi Soft Designer. |
| Number of connectable sensor pairs | Approx. 12 (depending on logic/number of logic modules used) |
| Pulse rate of the sensors | 10 Hz |
| Max. safety controller cycle time | |
| Pulse rate 10 Hz | ≤ 28 ms |
| Pulse rate 2 Hz | ≤ 148 ms |
| Supply voltage V_S | 24 V DC (16.8 V ... 30 V) |
| Protection class | III (EN 50178) |
| Enclosure rating | IP20 (EN 60529) |

| | |
|--------------------------------------|---|
| Ambient operating temperature | -25 °C ... 55 °C |
| Fieldbus, industrial network | CANopen, EtherCAT®, EtherNet/IP™, Modbus TCP, PROFIBUS DP, PROFINET, DeviceNet™ |
| Type of fieldbus integration | Via gateway |

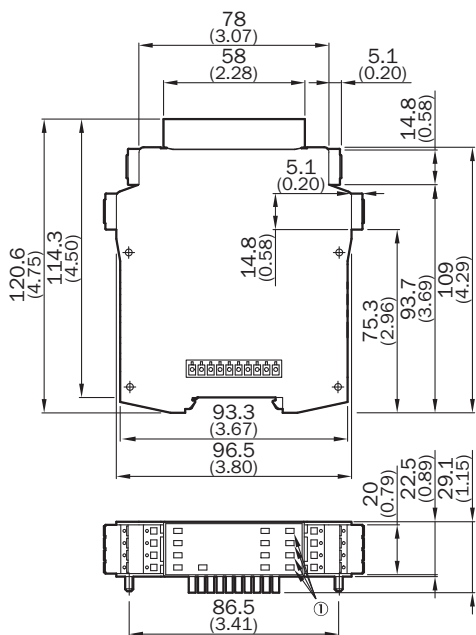
MultiPulse photoelectric proximity sensor

| | |
|--------------------------------------|--------------------------------|
| Number of sensors | 2 pieces |
| Detection zone | 30 mm ... 100 mm ¹⁾ |
| Remission | 6 % ... 90 % |
| Pulse frequency | 10 Hz |
| Response time | ≤ 100 ms |
| Type of light | Visible red light |
| Wave length | 650 nm |
| Light spot size (distance) | Ø 7 mm (50 mm) |
| Connection type | Connector M8, 3-pin |
| Voltage supply | Via Flexi Soft |
| Enclosure rating | IP67 (EN 60529) |
| Ambient operating temperature | -40 °C ... +60 °C |

¹⁾ If no movable physical guard is identified in the detection zone, the safety controller prompts the machine to enter the safe state.

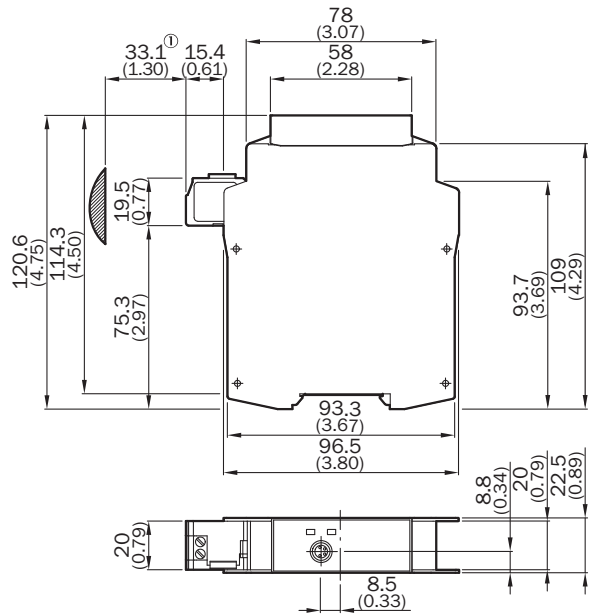
Dimensional drawing (Dimensions in mm (inch))

FX3-XTIO, FX3-XTDI

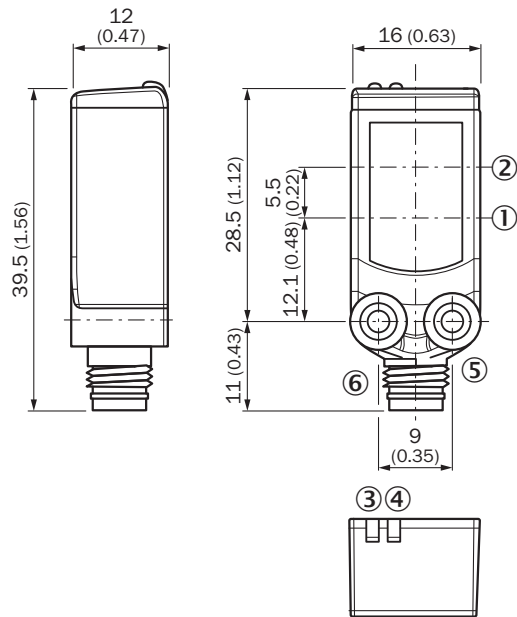


① Only valid for FX3-XTIO

FX3-CPU0



① Approximate connector range



SICK AT A GLANCE

SICK is one of the leading manufacturers of intelligent sensors and sensor solutions for industrial applications. A unique range of products and services creates the perfect basis for controlling processes securely and efficiently, protecting individuals from accidents and preventing damage to the environment.

We have extensive experience in a wide range of industries and understand their processes and requirements. With intelligent sensors, we can deliver exactly what our customers need. In application centers in Europe, Asia and North America, system solutions are tested and optimized in accordance with customer specifications. All this makes us a reliable supplier and development partner.

Comprehensive services complete our offering: SICK LifeTime Services provide support throughout the machine life cycle and ensure safety and productivity.

For us, that is “Sensor Intelligence.”

WORLDWIDE PRESENCE:

Contacts and other locations –www.sick.com