



## Signal Light bar

**SICK**  
Sensor Intelligence.



## Ordering information

Type	Part no.
Signal Light bar	1114219

Other models and accessories → [www.sick.com/](http://www.sick.com/)



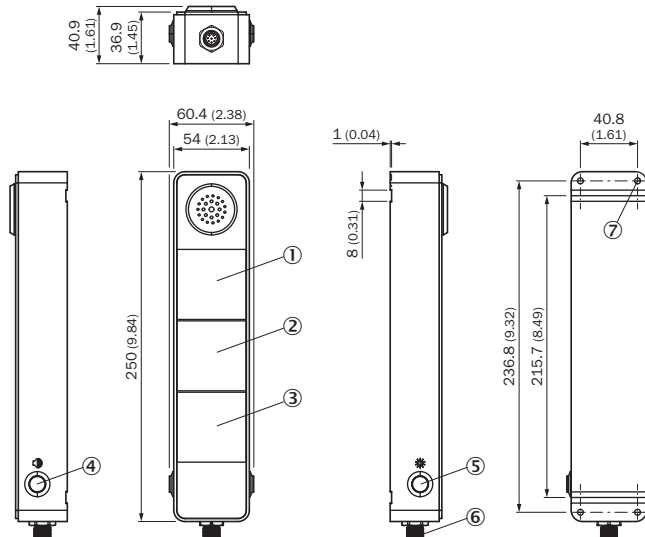
## Detailed technical data

### Technical specifications

<b>Accessory group</b>	Signal and status indicators
<b>Description</b>	Signal Light bar (red, yellow, green), including 98 dB buzzer, adjustable levels for visual and acoustic warning, ~24 V, M12 connection, including accessories for mounting
<b>Dimensions (W x H x L)</b>	40.5 mm x 250 mm x 54 mm

## Dimensional drawing (Dimensions in mm (inch))

Signal light bar with buzzer



- ① Red LED segment (visual signal display)
- ② Yellow LED segment
- ③ Green LED segment
- ④ Function button for volume control
- ⑤ Function button for light intensity levels
- ⑥ "Power & I/O signal" connection, 8-pin, M12 male connector
- ⑦ 4 x mounting holes, M5

## SICK AT A GLANCE

SICK is one of the leading manufacturers of intelligent sensors and sensor solutions for industrial applications. A unique range of products and services creates the perfect basis for controlling processes securely and efficiently, protecting individuals from accidents and preventing damage to the environment.

We have extensive experience in a wide range of industries and understand their processes and requirements. With intelligent sensors, we can deliver exactly what our customers need. In application centers in Europe, Asia and North America, system solutions are tested and optimized in accordance with customer specifications. All this makes us a reliable supplier and development partner.

Comprehensive services complete our offering: SICK LifeTime Services provide support throughout the machine life cycle and ensure safety and productivity.

For us, that is “Sensor Intelligence.”

## WORLDWIDE PRESENCE:

Contacts and other locations –[www.sick.com](http://www.sick.com)