

TTK50-HX10-K02

TTK50

LINEAR MOTOR FEEDBACK SYSTEMS

SICK
Sensor Intelligence.

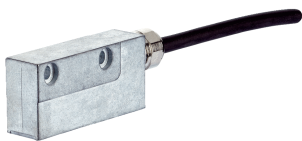


Illustration may differ

Ordering information

| Type | Part no. |
|----------------|----------|
| TTK50-HX10-K02 | 1057792 |

Magnetic tape not included with delivery

Other models and accessories → www.sick.com/TTK50



Detailed technical data

Features

| | |
|-----------------------|--|
| Items supplied | Magnetic tape not included with delivery |
|-----------------------|--|

Safety-related parameters

| | |
|--|---------------------------------------|
| MTTF_D (mean time to dangerous failure) | 59 years (EN ISO 13849) ¹⁾ |
|--|---------------------------------------|

¹⁾ This product is a standard product and does not constitute a safety component as defined in the Machinery Directive. Calculation based on nominal load of components, average ambient temperature 60 °C, frequency of use 8760 h/a. All electronic failures are considered hazardous. For more information, see document no. 8015532.

Performance

| | |
|--------------------------------|---|
| Measuring step | 0.244 µm For interpolation of the sine/cosine signals with, e. g., 12 bits |
| Measuring range | 0 mm ... 940 mm |
| Resolution | 1 µm |
| Length of period | 1 mm |
| Traversing speed | 1.3 m/s, ≤ 10 m/s up to which the absolute position can be reliably produced, dynamic operation (Sin/Cos) |
| Repeatability | < 5 µm |
| System accuracy | +20 °C |
| Measured value backlash | < 10 µm |

Interfaces

| | |
|------------------------------|---------------------------------------|
| Code type | Binary |
| Available memory area | 1,972 Byte (E ² PROM 2048) |

Electrical data

| | |
|---|--|
| Supply voltage | 7 V DC ... 12 V DC |
| Recommended supply voltage | 8 V DC |
| Operating current | ≤ 55 mA (without load) ¹⁾ |
| Connection type | Cable, 8-wire (4 x 2 x 0.15 mm ²), 1 m |
| MTTF_d: mean time to dangerous failure | 59 years (EN ISO 13849) ²⁾ |

¹⁾ 100 mA approx. during adjustment.

²⁾ This product is a standard product and does not constitute a safety component as defined in the Machinery Directive. Calculation based on nominal load of components, average ambient temperature 60 °C, frequency of use 8760 h/a. All electronic failures are considered hazardous. For more information, see document no. 8015532.

Mechanical data

| | |
|---------------------------|--|
| Dimensions | See dimensional drawing |
| Scope of delivery | Magnetic tape not included with delivery |
| Weight | 0.06 kg, without cable |
| Read head material | Zinc diecast |

Ambient data

| | |
|---|--|
| EMC | According to EN 61000-6-2 and EN 61000-6-3 ¹⁾ |
| Enclosure rating | IP67, with mating connector inserted (IEC 60529) |
| Operating temperature range | -30 °C ... +80 °C |
| Storage temperature range | -40 °C ... +85 °C, without package |
| Permissible relative humidity | 100 %, condensation permitted |
| Resistance to shocks | 30 g, 6 ms (EN 60068-2-27) |
| Resistance to vibration | 20 g, 10 Hz ... 2,000 Hz (EN 60068-2-6) |
| Maximum permitted ambient field strength | < 3 kA/m ... 4 kA/m (3.8 mT ... 5 mT), to guarantee compliance with the quoted accuracy values ²⁾ |
| Maximum permitted field strength | < 150 kA/m (< 190 mT), to ensure that the magnetic tape is not permanently damaged |

¹⁾ According to the listed standards, EMC is guaranteed if the motor feedback system is connected to the central grounding point of the motor controller via a cable shield and the encoder housing lays over a large area of the motor potential. If other shielding concepts are used, users must perform their own test.

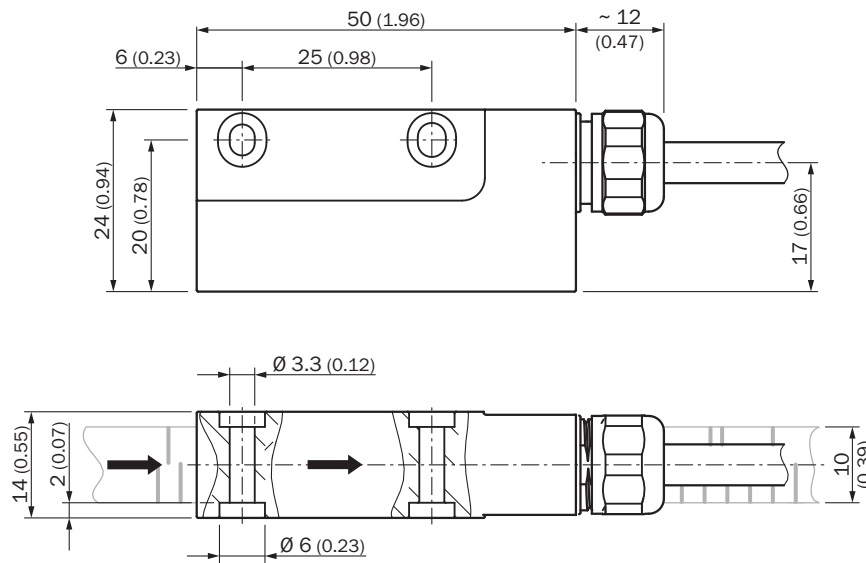
²⁾ The maximum permitted external field influence is reached when the position value deviates from the original value (without external field influence) by more than 5 µm. This value is reached when, at the sensor location, a field strength of 3 kA/m to 4 kA/m (3.8 mT to 5 mT) occurs in addition to the field strength of the magnetic tape.

Classifications

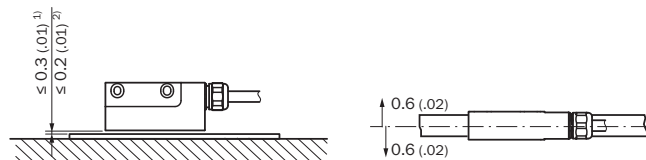
| | |
|-----------------------|----------|
| ECLASS 5.0 | 27270590 |
| ECLASS 5.1.4 | 27270590 |
| ECLASS 6.0 | 27270590 |
| ECLASS 6.2 | 27270590 |
| ECLASS 7.0 | 27270590 |
| ECLASS 8.0 | 27270590 |
| ECLASS 8.1 | 27270590 |
| ECLASS 9.0 | 27270590 |
| ECLASS 10.0 | 27273805 |
| ECLASS 11.0 | 27273902 |
| ECLASS 12.0 | 27273902 |
| ETIM 5.0 | EC001486 |
| ETIM 6.0 | EC001486 |
| ETIM 7.0 | EC001486 |
| ETIM 8.0 | EC001486 |
| UNSPSC 16.0901 | 41112113 |

Dimensional drawing (Dimensions in mm (inch))

Read head



Position tolerance

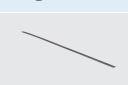



General tolerances according to DIN ISO 2768-mk

- ① Without cover strip
- ② With cover strip

Recommended accessories

Other models and accessories → www.sick.com/TTK50

| | Brief description | Type | Part no. |
|---|---|------------------|----------|
| Magnets | | | |
|  | Magnetic tape length: 1 m, magnetic tape width: 10 mm, weight: 0.18 kg/m, magnetic tape material: 17410 hard ferrite 9/28 P, substrate tape material: steel, period length 1 mm, operating temperature range: -20 °C ... 100 °C, storage temperature range: -30 °C ... 100 °C, temperature coefficient: (11 ± 1) µm/K/m | MVM-1MO-2MC-MKLB | 6049001 |
| Programming and configuration tools | | | |
|  | SVip® LAN programming tool for all motor feedback systems | PGT-11-S LAN | 1057324 |

| | Brief description | Type | Part no. |
|---|---|------------------|----------|
| Others | | | |
|  | <ul style="list-style-type: none"> Connection type head A: Female connector, M23, 12-pin, straight Connection type head B: Male connector, M23, 17-pin, straight Signal type: HIPERFACE® Cable: 1 m, 8-wire Description: HIPERFACE®, unshielded | DSL-2317-G01MJB2 | 2071328 |
|  | <ul style="list-style-type: none"> Connection type head A: Female connector, JST, 8-pin, straight Connection type head B: Male connector, M23, 17-pin, straight Signal type: HIPERFACE® Cable: 1 m, 8-wire Description: HIPERFACE®, unshielded | DSL-2317-G01MJB6 | 2071327 |
|  | <ul style="list-style-type: none"> Connection type head A: Female connector, M12, 8-pin, straight Connection type head B: Male connector, M23, 17-pin, straight Signal type: HIPERFACE® Cable: 1 m, 8-wire Description: HIPERFACE®, unshielded | DSL-2317-G01MJC1 | 2071329 |
|  | <ul style="list-style-type: none"> Connection type head A: Female connector, terminal box, 8-pin, straight Connection type head B: Male connector, M23, 17-pin, straight Signal type: HIPERFACE® Cable: 1 m, 8-wire Description: HIPERFACE®, unshielded | DSL-2317-G01MJC6 | 2071330 |
|  | <ul style="list-style-type: none"> Connection type head A: Female connector, M12, 8-pin, straight, A-coded Description: Shielded Connection systems: Screw-type terminals Permitted cross-section: 0.25 mm² ... 0.5 mm² | DOS-1208-GA | 6028369 |
|  | <ul style="list-style-type: none"> Connection type head A: Male connector, M12, 8-pin, straight, A-coded Description: Shielded Connection systems: Screw-type terminals Permitted cross-section: ≤ 0.5 mm² | STE-1208-GA | 6028370 |
|  | <ul style="list-style-type: none"> Connection type head A: Female connector, M12, 8-pin, straight, A-coded Signal type: Incremental, SSI Cable: CAT5, CAT5e Description: Incremental, SSI, shielded, Head A: female connector, M12, 8-pin, straight, A encoded, shielded, for cable diameter 4 mm ... 8 mm Head B: - Operating temperature: -40 °C ... +85 °C Connection systems: IDC quick connection Permitted cross-section: 0.14 mm² ... 0.34 mm² | DOS-1208-GA01 | 6045001 |
|  | <ul style="list-style-type: none"> Connection type head A: Female connector, M12, 8-pin, angled, A-coded Signal type: Ethernet Cable: CAT5, CAT5e Description: Ethernet, shielded, M12 female connector, A-coded Connection systems: QUICKON connection Permitted cross-section: 0.14 mm² ... 0.34 mm² | DOS-1208-WA | 6043358 |
|  | <ul style="list-style-type: none"> Connection type head A: Male connector, M12, 8-pin, straight, A-coded Signal type: Incremental Cable: CAT5, CAT5e Description: Incremental, shielded, Head A: male connector, M12, 8-pin, straight, A coded, shielded, for cable diameter 4 mm ... 8 mm Head B: - Operating temperature: -40 °C ... +85 °C Connection systems: IDC quick connection Permitted cross-section: 0.14 mm² ... 0.34 mm² | STE-1208-GA01 | 6044892 |
| | LTG-2708-MW | LTG-2708-MW | 6028361 |

SICK AT A GLANCE

SICK is one of the leading manufacturers of intelligent sensors and sensor solutions for industrial applications. A unique range of products and services creates the perfect basis for controlling processes securely and efficiently, protecting individuals from accidents and preventing damage to the environment.

We have extensive experience in a wide range of industries and understand their processes and requirements. With intelligent sensors, we can deliver exactly what our customers need. In application centers in Europe, Asia and North America, system solutions are tested and optimized in accordance with customer specifications. All this makes us a reliable supplier and development partner.

Comprehensive services complete our offering: SICK LifeTime Services provide support throughout the machine life cycle and ensure safety and productivity.

For us, that is “Sensor Intelligence.”

WORLDWIDE PRESENCE:

Contacts and other locations –www.sick.com