

UE410-EN1

Flexi Classic

SAFETY CONTROLLERS / NETWORK SOLUTIONS

SICK
Sensor Intelligence.

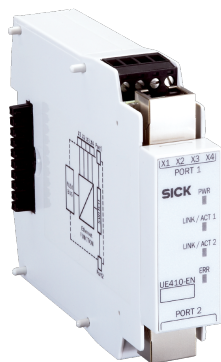


Illustration may differ



Ordering information

Fieldbus, industrial network	Connection type	Number of application diagnostic outputs	Application diagnostic output connection type8	Type	Part no.
EtherNet/IP™	2 x female connector, RJ-45	4	Plug-in screw-type terminals	UE410-EN1	1042964

Other models and accessories → www.sick.com/Flexi_Classic

Detailed technical data

Features

Module	Gateway
Fieldbus, industrial network	EtherNet/IP™

Interfaces

Connection type	2 x female connector, RJ-45
Integrated Ethernet switch	3-port layer-2 managed switch with Auto-MDI-X for automatic detection of crossed Ethernet cable
Data transmission rate	(10Base-T) (100Base-T) (autosensing)
Application diagnostic outputs	4 (X1 – X4)
Application diagnostic output connection type8	Plug-in screw-type terminals
Display elements	LEDs
Fieldbus, industrial network	EtherNet/IP™

Electrical data

Protection class	III (EN 61140)
Voltage supply	Via FLEXBUS
Power consumption	≤ 2.4 W (DC)
Internal power consumption	≤ 2.4 W (DC)

Mechanical data

Dimensions (W x H x D)	22.5 mm x 96.5 mm x 120.8 mm
Weight	+ 160 g

Ambient data

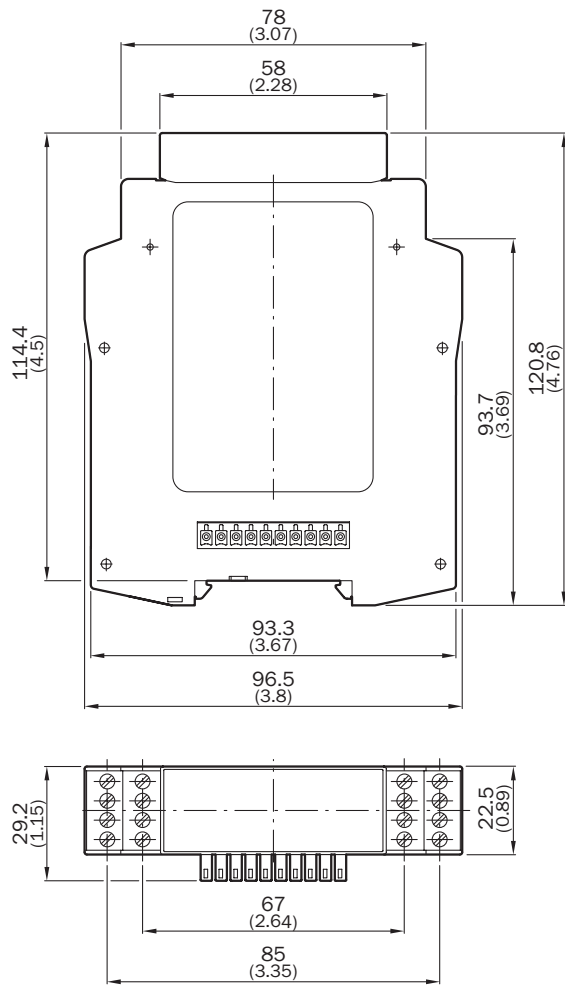
Enclosure rating	
Housing	IP40 (EN 60529)

Terminals	IP20 (EN 60529)
Ambient operating temperature	-25 °C ... +55 °C
Storage temperature	-25 °C ... +70 °C
Air humidity	≤ 95 %, Non-condensing
Climate conditions according to	EN 61131-2 (55 °C ambient operating temperature, 95% rel. humidity)
Electromagnetic compatibility (EMC)	Class A (EN 61000-6-2, EN 55011)
Vibration resistance	5 g RMS, 5 Hz ... 500 Hz (EN 60068-2-64)

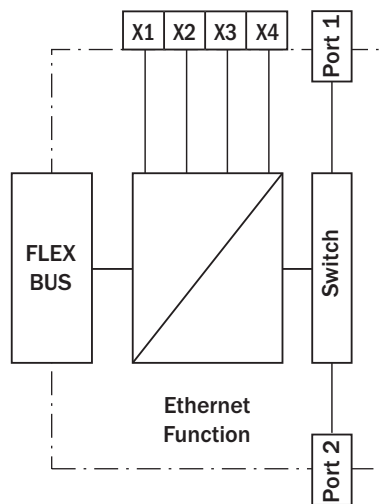
Classifications

ECLASS 5.0	27243001
ECLASS 5.1.4	27243101
ECLASS 6.0	27243101
ECLASS 6.2	27243101
ECLASS 7.0	27243101
ECLASS 8.0	27243101
ECLASS 8.1	27243101
ECLASS 9.0	27243101
ECLASS 10.0	27243101
ECLASS 11.0	27243101
ECLASS 12.0	27243101
ETIM 5.0	EC001449
ETIM 6.0	EC001449
ETIM 7.0	EC001449
ETIM 8.0	EC001449
UNSPSC 16.0901	32151705

Dimensional drawing (Dimensions in mm (inch))



Connection diagram



SICK AT A GLANCE

SICK is one of the leading manufacturers of intelligent sensors and sensor solutions for industrial applications. A unique range of products and services creates the perfect basis for controlling processes securely and efficiently, protecting individuals from accidents and preventing damage to the environment.

We have extensive experience in a wide range of industries and understand their processes and requirements. With intelligent sensors, we can deliver exactly what our customers need. In application centers in Europe, Asia and North America, system solutions are tested and optimized in accordance with customer specifications. All this makes us a reliable supplier and development partner.

Comprehensive services complete our offering: SICK LifeTime Services provide support throughout the machine life cycle and ensure safety and productivity.

For us, that is “Sensor Intelligence.”

WORLDWIDE PRESENCE:

Contacts and other locations –www.sick.com