

# UE410-EN3

Flexi Classic

SAFETY CONTROLLERS / NETWORK SOLUTIONS

**SICK**  
Sensor Intelligence.

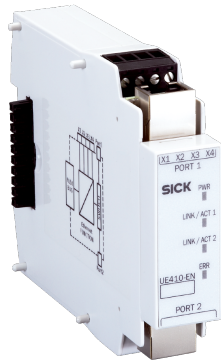


Illustration may differ



### Ordering information

Fieldbus, industrial network	Connection type	Number of application diagnostic outputs	Application diagnostic output connection type8	Type	Part no.
Modbus <sup>®</sup> TCP	2 x female connector, RJ-45	4	Plug-in screw-type terminals	UE410-EN3	1042193

Other models and accessories → [www.sick.com/Flexi\\_Classic](http://www.sick.com/Flexi_Classic)

### Detailed technical data

#### Features

<b>Module</b>	Gateway
<b>Fieldbus, industrial network</b>	Modbus <sup>®</sup> TCP

#### Interfaces

<b>Connection type</b>	2 x female connector, RJ-45
<b>Integrated Ethernet switch</b>	3-port layer-2 managed switch with Auto-MDI-X for automatic detection of crossed Ethernet cable
<b>Data transmission rate</b>	(10Base-T) (100Base-T) (autosensing)
<b>Application diagnostic outputs</b>	4 (X1 - X4)
<b>Application diagnostic output connection type8</b>	Plug-in screw-type terminals
<b>Display elements</b>	LEDs
<b>Fieldbus, industrial network</b>	Modbus <sup>®</sup> TCP

#### Electrical data

<b>Protection class</b>	III (EN 61140)
<b>Voltage supply</b>	Via FLEXBUS
<b>Power consumption</b>	≤ 2.4 W (DC)
<b>Internal power consumption</b>	≤ 2.4 W (DC)

#### Mechanical data

<b>Dimensions (W x H x D)</b>	22.5 mm x 96.5 mm x 120.8 mm
<b>Weight</b>	+ 160 g

#### Ambient data

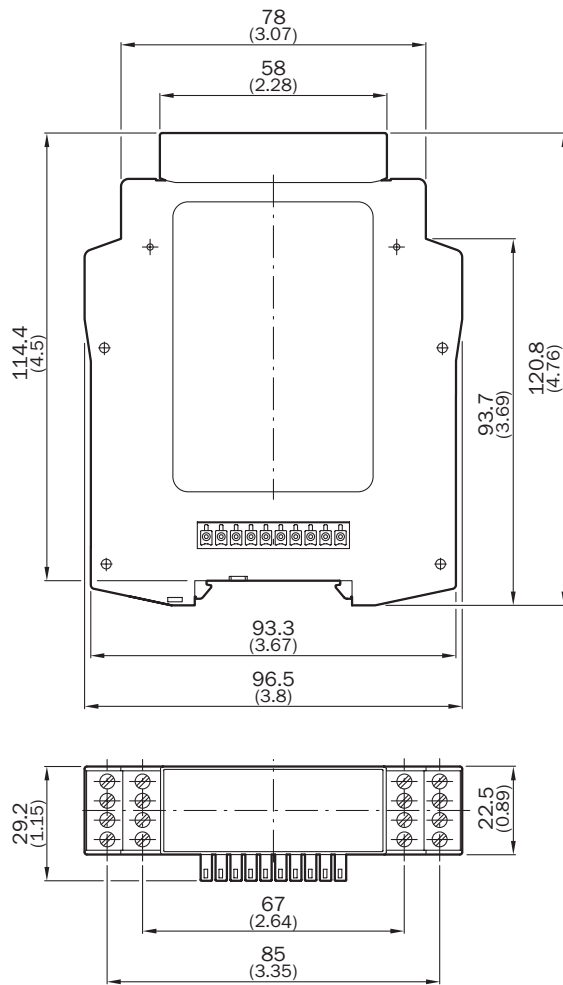
<b>Enclosure rating</b>	
-------------------------	--

	Housing	IP40 (EN 60529)
	Terminals	IP20 (EN 60529)
<b>Ambient operating temperature</b>		-25 °C ... +55 °C
<b>Storage temperature</b>		-25 °C ... +70 °C
<b>Air humidity</b>		≤ 95 %, Non-condensing
<b>Climate conditions according to</b>		EN 61131-2 (55 °C ambient operating temperature, 95% rel. humidity)
<b>Electromagnetic compatibility (EMC)</b>		Class A (EN 61000-6-2, EN 55011)
<b>Vibration resistance</b>		5 g RMS, 5 Hz ... 500 Hz (EN 60068-2-64)

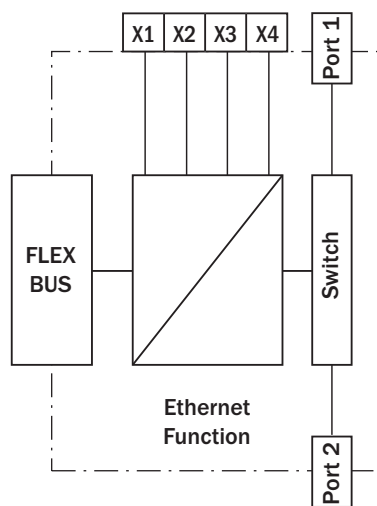
Classifications

<b>ECLASS 5.0</b>	27243001
<b>ECLASS 5.1.4</b>	27243101
<b>ECLASS 6.0</b>	27243101
<b>ECLASS 6.2</b>	27243101
<b>ECLASS 7.0</b>	27243101
<b>ECLASS 8.0</b>	27243101
<b>ECLASS 8.1</b>	27243101
<b>ECLASS 9.0</b>	27243101
<b>ECLASS 10.0</b>	27243101
<b>ECLASS 11.0</b>	27243101
<b>ECLASS 12.0</b>	27243101
<b>ETIM 5.0</b>	EC001449
<b>ETIM 6.0</b>	EC001449
<b>ETIM 7.0</b>	EC001449
<b>ETIM 8.0</b>	EC001449
<b>UNSPSC 16.0901</b>	32151705

### Dimensional drawing (Dimensions in mm (inch))



### Connection diagram



## SICK AT A GLANCE

SICK is one of the leading manufacturers of intelligent sensors and sensor solutions for industrial applications. A unique range of products and services creates the perfect basis for controlling processes securely and efficiently, protecting individuals from accidents and preventing damage to the environment.

We have extensive experience in a wide range of industries and understand their processes and requirements. With intelligent sensors, we can deliver exactly what our customers need. In application centers in Europe, Asia and North America, system solutions are tested and optimized in accordance with customer specifications. All this makes us a reliable supplier and development partner.

Comprehensive services complete our offering: SICK LifeTime Services provide support throughout the machine life cycle and ensure safety and productivity.

For us, that is “Sensor Intelligence.”

## WORLDWIDE PRESENCE:

Contacts and other locations –[www.sick.com](http://www.sick.com)