



UE410-MU3T0

Flexi Classic

SAFETY CONTROLLERS

SICK
Sensor Intelligence.



Illustration may differ



Ordering information

| Inputs | Number of muting sensors | Outputs | Connection type | Type | Part no. |
|---------------------------------------|--------------------------|------------------------------------|------------------------------|-------------|----------|
| 4 safety inputs 4 switching inputs | 0 / 2 | 4 safety outputs 2 test outputs | Plug-in screw-type terminals | UE410-MU3T0 | 6035242 |

Other models and accessories → www.sick.com/Flexi_Classic

Detailed technical data

Features

| | |
|-----------------------------|-------------------|
| Module | Main module |
| Configuration method | Via rotary switch |

Safety-related parameters

| | |
|---|-------------------------------------|
| Safety integrity level | SIL 3 (IEC 61508) |
| Category | Category 4 (EN ISO 13849) |
| Performance level | PL e (EN ISO 13849) |
| PFH_D (mean probability of a dangerous failure per hour) | 2.5×10^{-9} (EN ISO 13849) |
| T_M (mission time) | 20 years (EN ISO 13849) |

Functions

| | |
|--|-----------------------------------|
| Restart interlock | Manual / automatic (configurable) |
| External device monitoring (EDM) | ✓ |
| AND operation | ✓ |
| OR operation | ✓ |
| Bypass | ✓ |
| Differentiation between man and material (muting) | ✓ |

Interfaces

| | |
|---------------------------------|---------------------------------------|
| Inputs | 4 safety inputs 4 switching inputs |
| Number of muting sensors | 0 / 2 |
| Outputs | 4 safety outputs 2 test outputs |
| Connection type | Plug-in screw-type terminals |

| | |
|-------------------------|------|
| Display elements | LEDs |
|-------------------------|------|

Electrical data

| | |
|-------------------------------------|---------------------------------|
| Protection class | III (EN 61140) |
| Type of voltage supply | PELV or SELV ¹⁾ |
| Supply voltage V_S | 24 V DC (19.2 V DC ... 30 V DC) |
| Residual ripple | ≤ 10 % |
| Power consumption | ≤ 3 W (DC) |
| Switch-on time | ≤ 60 s |
| Internal power consumption | ≤ 3 W (DC) |

¹⁾ The current of the power supply that powers the main unit must be limited to a maximum of 4 A, either through the power supply itself or a fuse.

Mechanical data

| | |
|-------------------------------|------------------------------|
| Dimensions (W x H x D) | 22.5 mm x 96.5 mm x 120.8 mm |
| Weight | + 180 g |

Ambient data

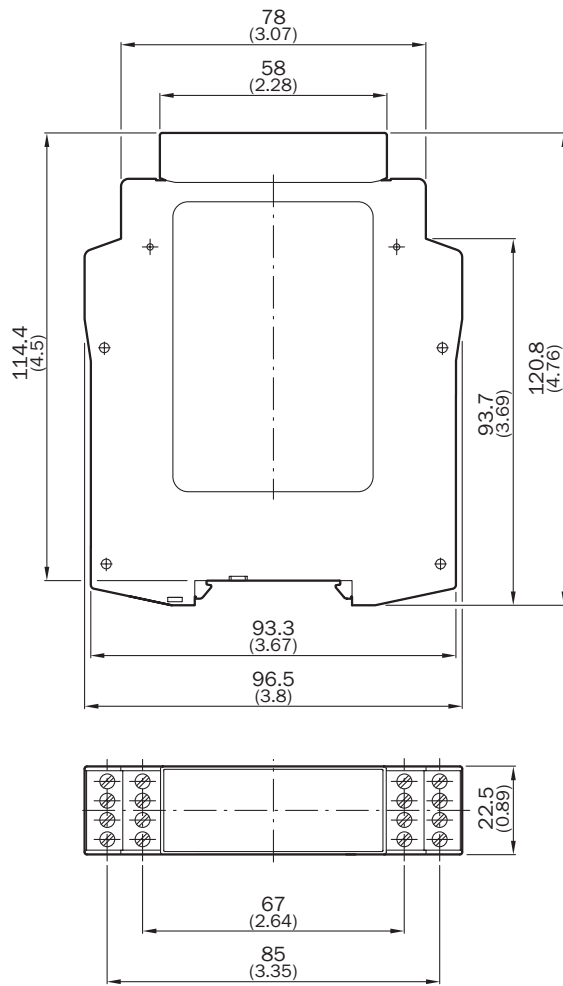
| | | |
|--|---|-----------------|
| Enclosure rating | Housing | IP40 (EN 60529) |
| | Terminals | IP20 (EN 60529) |
| Ambient operating temperature | -25 °C ... +55 °C | |
| Storage temperature | -25 °C ... +70 °C | |
| Air humidity | ≤ 95 %, Non-condensing | |
| Climate conditions according to | EN 61131-2 (55 °C ambient operating temperature, 95% rel. humidity) | |
| Electromagnetic compatibility (EMC) | Class A (EN 61000-6-2, EN 55011) | |
| Vibration resistance | 5 g RMS, 5 Hz ... 500 Hz (EN 60068-2-64) | |

Classifications

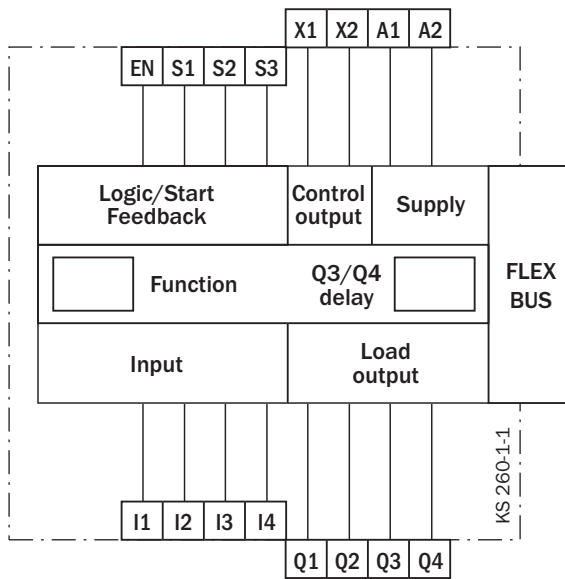
| | |
|-----------------------|----------|
| ECLASS 5.0 | 27243001 |
| ECLASS 5.1.4 | 27243101 |
| ECLASS 6.0 | 27243101 |
| ECLASS 6.2 | 27243101 |
| ECLASS 7.0 | 27243101 |
| ECLASS 8.0 | 27243101 |
| ECLASS 8.1 | 27243101 |
| ECLASS 9.0 | 27243101 |
| ECLASS 10.0 | 27243101 |
| ECLASS 11.0 | 27243101 |
| ECLASS 12.0 | 27243101 |
| ETIM 5.0 | EC001449 |
| ETIM 6.0 | EC001449 |
| ETIM 7.0 | EC001449 |
| ETIM 8.0 | EC001449 |
| UNSPSC 16.0901 | 32151705 |

Dimensional drawing (Dimensions in mm (inch))

Flexi Classic main module



Connection diagram



SICK AT A GLANCE

SICK is one of the leading manufacturers of intelligent sensors and sensor solutions for industrial applications. A unique range of products and services creates the perfect basis for controlling processes securely and efficiently, protecting individuals from accidents and preventing damage to the environment.

We have extensive experience in a wide range of industries and understand their processes and requirements. With intelligent sensors, we can deliver exactly what our customers need. In application centers in Europe, Asia and North America, system solutions are tested and optimized in accordance with customer specifications. All this makes us a reliable supplier and development partner.

Comprehensive services complete our offering: SICK LifeTime Services provide support throughout the machine life cycle and ensure safety and productivity.

For us, that is “Sensor Intelligence.”

WORLDWIDE PRESENCE:

Contacts and other locations –www.sick.com