



V2D8512R-1MCXXXALOSXXXX

Lector85x

IMAGE-BASED CODE READERS

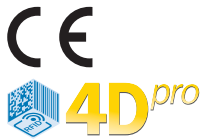
SICK
Sensor Intelligence.



Ordering information

Type	Part no.
V2D8512R-1MCXXXALOSXXX	1123615

Other models and accessories → www.sick.com/Lector85x



Detailed technical data

Features

Application	Indoor area
Variant	Main unit
Optical focus	Adjustable focus (manually)
Sensor	CMOS matrix sensor, grayscale values
Sensor resolution	4,096 px x 3,008 px (12 Mpixel)
Illumination	To be ordered separately as accessories
Feedback spot	LED, Visible, green, 525 nm, ± 15 nm LED, Visible, Red, 645 nm, ± 15 nm
Alignment aid	Laser, Red, 630 nm ... 680 nm
Laser class	1, complies with 21 CFR 1040.10 except for the conformance according to "Laser Notice No. 56" from May 8, 2019 (EN 60825-1:2014+A11:2021, IEC 60825-1:2014)
Lens	C-mount
Optical format	1"
Focal length	12 mm, 16 mm, 25 mm
Note	To be ordered separately as accessories
Scanning frequency	15 Hz, With resolution of 12 megapixels
Code resolution	≥ 0.1 mm ¹⁾
Working range	500 mm ... 3,000 mm (depends on lens used)

¹⁾ Depends on lens used.

Mechanics/electronics

Connection type	1 x M12, 17-pin male connector, A-coded (power, CAN, serial interface, I/O) 1 x M12, 5-pin male connector, A-coded (power, CAN) 3 x M12, 8-pin female connector, X-coded (Gigabit Ethernet)
Supply voltage	24 V DC, ± 20 % ¹⁾

¹⁾ Voltage source in accordance with ES1 (EN 62368-1) or SELV (EN 60950-1).

Power consumption	Typ. 24 W
Current consumption	Max. 2 A
Housing material	Aluminum die cast
Housing color	Anthracite gray (RAL 7016)
Window material	Glass
Enclosure rating	IP65 (IEC 60529:2013 +C1:2013 +C2:2015 +AMD2 C1:2019, EN 60529:1991 +A1:2010 +A2:2013 +AC:2019-02)
Electrical safety	EN 61010:2010 / EN 61010-1:2010/A1:2019/AC:2019-04
Weight	640 g, without lens and connection cables
Dimensions (L x W x H)	143.4 mm x 90 mm x 46 mm
MTBF	100,000 h

¹⁾ Voltage source in accordance with ES1 (EN 62368-1) or SELV (EN 60950-1).

Performance

Readable code structures	1D codes, 2D codes, Stacked
Bar code types	GS1-128 / EAN 128, UPC / GTIN / EAN, Interleaved 2 of 5, Code 39, Code 128, Codabar, Code 93
2D code types	Data Matrix ECC200, MaxiCode, QR code, Aztec
Stacked code types	PDF417

Interfaces

Ethernet	✓ (3), TCP/IP
Function	Data interface (read result output), service interface, FTP (image transmission)
Data transmission rate	10/100/1,000 Mbit/s, MAC address (device-specific), see type label
CAN	✓
Function	Data interface (read result output), Trigger interface
Data transmission rate	500 kbit/s
Serial	✓, RS-232, RS-422
Data transmission rate	1.2 kBaud ... 115.2 kBaud
USB	✓, USB 2.0
Function	Service interface (accessing the web server)
Data transmission rate	480 Mbit/s
Digital inputs	2 ("Sensor 1", "Sensor 2", insulated, encoder input, external trigger)
Configurable digital inputs/outputs	
X1	3 („DIO 4“, „DIO 5“, „DIO 6“)
Reading pulse	Digital inputs, CAN, auto pulse
Optical indicators	12 LEDs (10 x status displays, 2 x feedback spot)
Operator interfaces	Web server
Configuration software	SOPASair
Memory card slot	Micro SD memory card (not included with delivery) ¹⁾
Parameter cloning	Micro SD memory card Control software

¹⁾ Memory card is available as an optional accessory. To ensure that the memory card functions reliably, only use card types (industrial standard) approved by SICK. Other functions are available upon request.

Data storage and retrieval	Image and data storage via external FTP
EncoderFrequency	Max. 50 kHz
External illumination control	Via digital output (max. 24 V trigger)

¹⁾ Memory card is available as an optional accessory. To ensure that the memory card functions reliably, only use card types (industrial standard) approved by SICK. Other functions are available upon request.

Ambient data

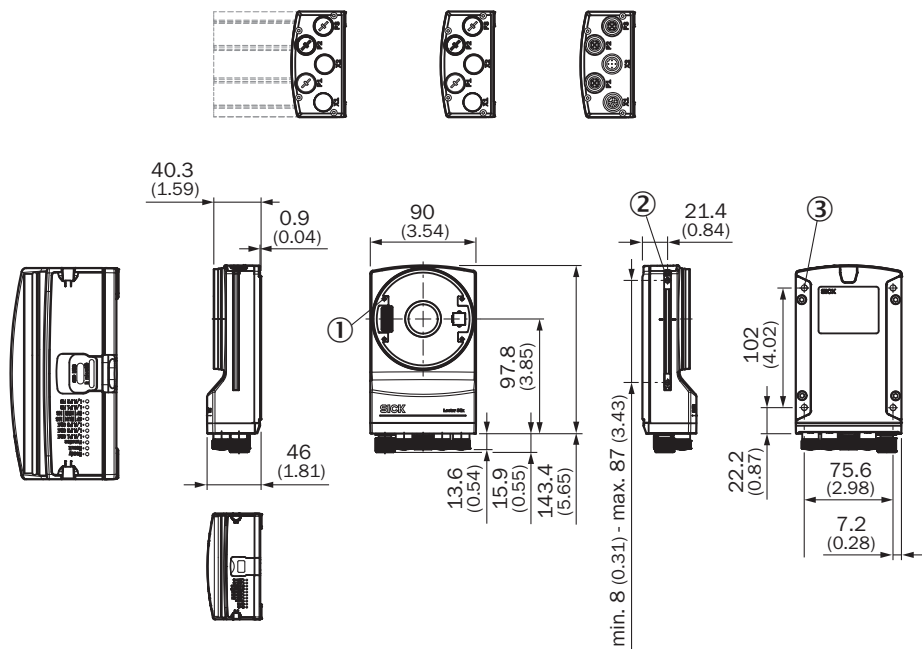
Electromagnetic compatibility (EMC)	
Interference resistance	IEC 61000-6-2:2016 / EN IEC 61000-6-2:2019
Interference emission	IEC 61000-6-4:2018 / EN IEC 61000-6-4:2019
Vibration resistance	EN 60068-2-6:2007, EN 60068-2-64:2019
Shock resistance	EN 60068-2-27:2008
Ambient operating temperature	0 °C ... +50 °C ¹⁾
Storage temperature	-20 °C ... +70 °C
Permissible relative humidity	≤ 90 %, Non-condensing
Ambient light immunity	2,000 lx, on code
Contamination rating	2 (EN 61010-1)
Altitude (above sea level)	< 5,000 m

¹⁾ If the ambient operating temperature will be ≥ 45 °C, ensure adequate heat dissipation when mounting the device.

Classifications

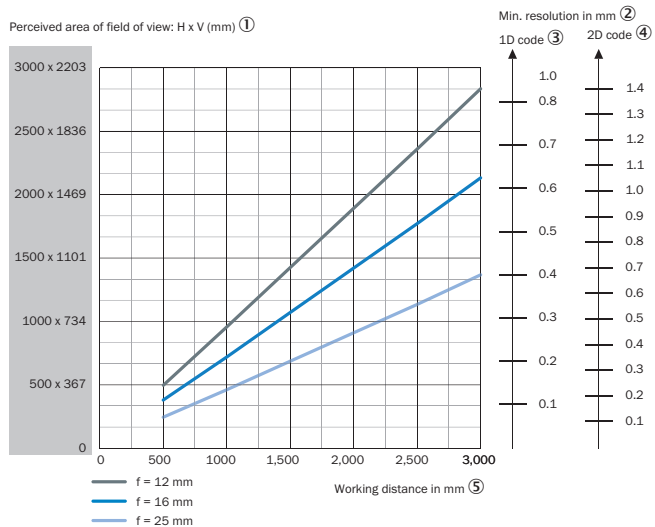
ECLASS 5.0	27280103
ECLASS 5.1.4	27280103
ECLASS 6.0	27280103
ECLASS 6.2	27280103
ECLASS 7.0	27280103
ECLASS 8.0	27280103
ECLASS 8.1	27280103
ECLASS 9.0	27280103
ECLASS 10.0	27280103
ECLASS 11.0	27280103
ECLASS 12.0	27280103
ETIM 5.0	EC002550
ETIM 6.0	EC002550
ETIM 7.0	EC002999
ETIM 8.0	EC002999
UNSPSC 16.0901	43211701

Dimensional drawing (Dimensions in mm (inch))



- ① 4 tapped blind holes, M2.5, 5.5 mm deep, for mounting the spacer
- ② 2 M5 sliding nuts; 5.5 mm deep; pivoting; as an alternative method of mounting the product
- ③ 4 tapped blind holes, M5, 5.5 mm deep for mounting the product

Field of view



Selection Guide

V2D8512R, focal length: 12mm

FIELD OF VIEW

V2D8512R-xxxxxxx, focal length: 12 mm

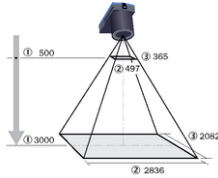


Figure 30: Field of view V2D8512R-xxxxxxx, focal length: 12 mm

- ① Working distance in mm
- ② Perceived field of view area: horizontal (mm)
- ③ Min. perceived field of view area: horizontal (mm)

Table 17: Perceived field of view area

Working distance (mm)	Horizontal (mm)	Vertical (mm)
500	497	365
1000	965	709
1500	1433	1052
2000	1900	1396
2500	2368	1739
3000	2836	2082

Table 18: Minimum resolution

Working distance (mm)	1D code (mm)	2D code (mm)
500	0.15	0.24
1000	0.28	0.48
1500	0.42	0.70
2000	0.56	0.92
2500	0.69	1.16
3000	0.83	1.38

V2D8512R, focal length: 16mm

FIELD OF VIEW

V2D8512R-xxxxxxx, focal length: 16 mm

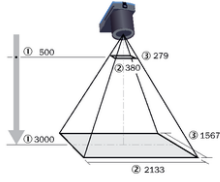


Figure 31: Field of view V2D8512R-xxxxxxx, focal length: 16 mm

- ① Working distance in mm
- ② Perceived field of view area: horizontal (mm)
- ③ Perceived field of view area: vertical (mm)

Table 19: Perceived field of view area

Working distance (mm)	Horizontal (mm)	Vertical (mm)
500	380	279
1000	731	537
1500	1081	794
2000	1432	1052
2500	1783	1309
3000	2133	1567

Table 20: Minimum resolution

Working distance (mm)	1D code (mm)	2D code (mm)
500	0.11	0.18
1000	0.21	0.36
1500	0.32	0.52
2000	0.42	0.70
2500	0.52	0.88
3000	0.62	1.04

V2D8512R, focal length: 25mm

FIELD OF VIEW

V2D8512R-xxxxxxx, focal length: 25 mm

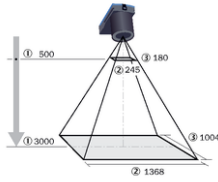


Figure 32: Field of view V2D8512R-xxxxxxx, focal length: 25 mm

- ① Working distance in mm
- ② Perceived field of view area: horizontal (mm)
- ③ Perceived field of view area: vertical (mm)

Table 21: Perceived field of view area

Working distance (mm)	Horizontal (mm)	Vertical (mm)
500	245	180
1000	470	345
1500	694	510
2000	919	675
2500	1143	840
3000	1368	1004

Table 22: Minimum resolution

Working distance (mm)	1D code (mm)	2D code (mm)
500	0.07	0.12
1000	0.14	0.22
1500	0.20	0.34
2000	0.27	0.44
2500	0.33	0.56
3000	0.40	0.66

Recommended services

Additional services → www.sick.com/Lector85x

	Type	Part no.
Performance check		
<ul style="list-style-type: none"> • Product area: Image-based code readers • Range of services: Inspection of defined functions, e.g., reading performance • Duration: Additional work will be invoiced separately 	Performance check Lector	1608207
Maintenance		
<ul style="list-style-type: none"> • Product area: Image-based code readers • Range of services: Inspection, analysis and restoring of defined functions, Inspection and adaptation of previously defined functions of possible Lector6xx illumination, code configuration, trigger and digital inputs, interfaces and digital outputs as well as data processing • Duration: Additional work will be invoiced separately 	Maintenance Lector	1611421

	Type	Part no.
Commissioning		
<ul style="list-style-type: none">• Product area: Image-based code readers• Range of services: Inspection of connection, fine adjustment, optimization of parameters of SICK product as well as tests, Set-up of previously defined functions of possible illumination, code configuration, trigger and digital inputs, interfaces and digital outputs as well as data processing• Duration: Additional work will be invoiced separately	Commissioning Lector	1608206

SICK AT A GLANCE

SICK is one of the leading manufacturers of intelligent sensors and sensor solutions for industrial applications. A unique range of products and services creates the perfect basis for controlling processes securely and efficiently, protecting individuals from accidents and preventing damage to the environment.

We have extensive experience in a wide range of industries and understand their processes and requirements. With intelligent sensors, we can deliver exactly what our customers need. In application centers in Europe, Asia and North America, system solutions are tested and optimized in accordance with customer specifications. All this makes us a reliable supplier and development partner.

Comprehensive services complete our offering: SICK LifeTime Services provide support throughout the machine life cycle and ensure safety and productivity.

For us, that is “Sensor Intelligence.”

WORLDWIDE PRESENCE:

Contacts and other locations –www.sick.com