



WFE-030040B137

WFE

FORK SENSORS

SICK
Sensor Intelligence.



Ordering information

Type	Part no.
WFE-030040B137	1106554

Other models and accessories → www.sick.com/WFE

Illustration may differ



Detailed technical data

Features

Dimensions (W x H x D)	10 mm x 59.3 mm x 60.5 mm
Fork width	30 mm
Fork depth	40 mm
Minimum detectable object (MDO)	0.5 mm
Adjustment	Potentiometer, light/dark switching

Mechanics/electronics

Current consumption	< 30 mA ¹⁾
Stability of response time	± 20 µs
Switching output	Push-pull: PNP/NPN
Switching output (voltage)	Push-pull: PNP/NPN High = U _V - < 2 V/Low: ≤ 2 V
Switching mode	Light/dark switching
Switching output hysteresis	< 0.1 mm
Output current I_{max.}	100 mA
Initialization time	100 ms
Connection type	Cable, open-ended, 3-wire, 2 m
Circuit protection	U _V connections, reverse polarity protected Output Q short-circuit protected Interference pulse suppression
Housing material	ABS Coated carbon steel (frame)
Indication	LED indicator green: power on LED indicator, yellow: Status switching output Q

¹⁾ Without load.

Safety-related parameters

MTF_D	1,217 years
DC_{avg}	0 %
T_M (mission time)	20 years

Ambient data

Ambient light immunity	Sunlight:
Shock load	According to IEC 60068-2-27 (30 g/11 ms)
UL File No.	NRKH.E348498 & NRKH7.E348498

Connection type/pinouts

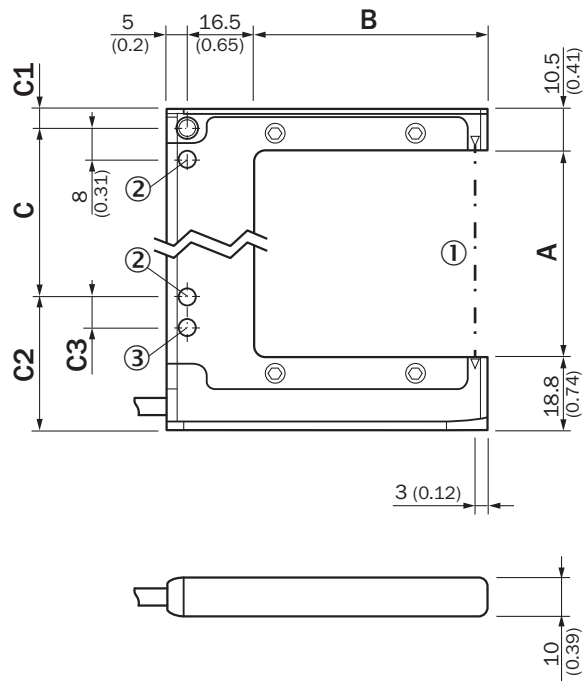
Connection type	Cable, open-ended, 3-wire, 2 m
Pinouts	
	BN + (L+)
	BU - (M)
	BK Q

Classifications

ECLASS 5.0	27270909
ECLASS 5.1.4	27270909
ECLASS 6.0	27270909
ECLASS 6.2	27270909
ECLASS 7.0	27270909
ECLASS 8.0	27270909
ECLASS 8.1	27270909
ECLASS 9.0	27270909
ECLASS 10.0	27270909
ECLASS 11.0	27270909
ECLASS 12.0	27270909
ETIM 5.0	EC002720
ETIM 6.0	EC002720
ETIM 7.0	EC002720
ETIM 8.0	EC002720
UNSPSC 16.0901	39121528

Dimensional drawing (Dimensions in mm (inch))

WFE-xxxxxx1xx

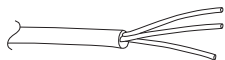


- ① Optical axis
- ② Mounting hole, Ø 4.3 mm
- ③ Only WFE-050/-080/-120/-180

Type	A (fork width)	B (fork depth)	C	C1	C2	C3
WFE-030040xxxx	30 (1.18)	39 (1.54)	30 (1.18)	5 (0.2)	24.3 (0.96)	-
WFE-050060xxxx	50 (1.97)	57 (2.25)	40 (1.57)	5 (0.2)	34.3 (1.35)	8 (0.31)
WFE-080060xxxx	80 (3.15)	57 (2.24)	70 (2.76)	5 (0.2)	34.3 (1.35)	8 (0.31)
WFE-120120xxxx	120 (4.72)	121.5 (4.78)	100 (3.94)	15.5 (0.61)	33.8 (13.31)	10 (0.39)
WFE-180120xxxx	180 (7.09)	121.5 (4.78)	152 (5.98)	20.5 (0.81)	36.8 (1.45)	8 (0.31)

Pinouts

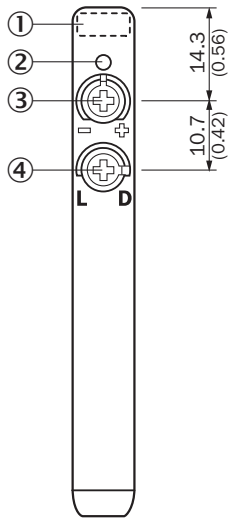
Pinouts, see table Technical data: **Connection type/pinouts**



Cable, 3-wire

Adjustments

WFE-xxxxxxx7



- ① Status indicator LED, yellow: Status switching output
- ② LED indicator green: power
- ③ Potentiometer for sensitivity adjustment
- ④ Light/ dark rotary switch: L = light switching, D = dark switching

SICK AT A GLANCE

SICK is one of the leading manufacturers of intelligent sensors and sensor solutions for industrial applications. A unique range of products and services creates the perfect basis for controlling processes securely and efficiently, protecting individuals from accidents and preventing damage to the environment.

We have extensive experience in a wide range of industries and understand their processes and requirements. With intelligent sensors, we can deliver exactly what our customers need. In application centers in Europe, Asia and North America, system solutions are tested and optimized in accordance with customer specifications. All this makes us a reliable supplier and development partner.

Comprehensive services complete our offering: SICK LifeTime Services provide support throughout the machine life cycle and ensure safety and productivity.

For us, that is “Sensor Intelligence.”

WORLDWIDE PRESENCE:

Contacts and other locations –www.sick.com