

YF2A28-C15S01XY2C4

Y- and T-splitters

SICK
Sensor Intelligence.

Ordering information

Type	Part no.
YF2A28-C15S01XY2C4	2122940

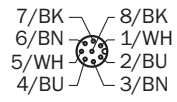
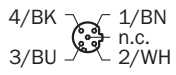
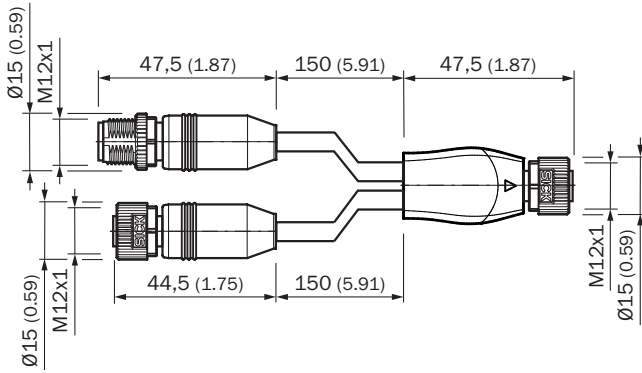
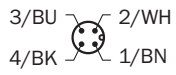
Other models and accessories → www.sick.com/Y_and_T-splitters

Detailed technical data

Technical specifications

Connection type head A	Male connector, M12, 4-pin, A-coded
Connection type head B	Female connector, M12, 4-pin, D-coded
Connection type head C	Female connector, M12, 8-pin, A-coded
Locking plug connector	Screw connection
Signal type	Sensor/actuator cable
Connecting cable	0.15 m, 4-wire, PUR, halogen-free
Cable material	PUR, halogen-free
Conductor cross section	0.34 mm ²
Connector material head A	TPU
Connector material head C	TPU
Material knurled screw head A	Zinc die-cast, nickel-plated
Material knurled screw head C	Zinc die-cast, nickel-plated
Width across flats	13
Tightening torque	0.6 Nm
Shielding, head	Shielded
Shielding	Shielded
Reference voltage	≤ 30 V DC
Rated impulse voltage	0.8 kV
Contamination rating	3
Overvoltage category	III
Bending radius	
Stationary position	> 5 x cable diameter
Operating temperature	
Flexible use	-25 °C ... +80 °C
Stationary position	-40 °C ... +80 °C
Head	-25 °C ... +85 °C

Dimensional drawing (Dimensions in mm (inch))



SICK AT A GLANCE

SICK is one of the leading manufacturers of intelligent sensors and sensor solutions for industrial applications. A unique range of products and services creates the perfect basis for controlling processes securely and efficiently, protecting individuals from accidents and preventing damage to the environment.

We have extensive experience in a wide range of industries and understand their processes and requirements. With intelligent sensors, we can deliver exactly what our customers need. In application centers in Europe, Asia and North America, system solutions are tested and optimized in accordance with customer specifications. All this makes us a reliable supplier and development partner.

Comprehensive services complete our offering: SICK LifeTime Services provide support throughout the machine life cycle and ensure safety and productivity.

For us, that is “Sensor Intelligence.”

WORLDWIDE PRESENCE:

Contacts and other locations –www.sick.com