

YN2D34-100PN4MRJA4

Industrial Ethernet cables and fieldbus cables

SICK
Sensor Intelligence.



Ordering information

Type	Part no.
YN2D34-100PN4MRJA4	2108141

Other models and accessories → www.sick.com/Industrial_Ethernet_cables_and_fieldbus_cables

Detailed technical data

Technical specifications

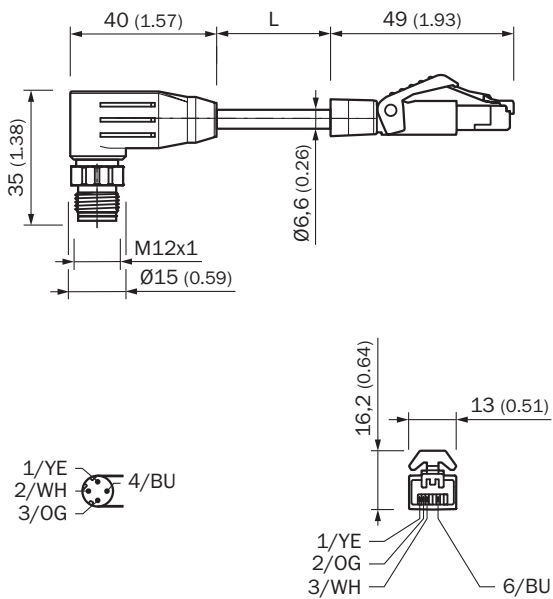
Connection type head A	Male connector, M12, 4-pin, angled, D-coded
Connection type head B	Male connector, RJ45, 4-pin, straight
Connector color	Black
Locking nut material	Stainless steel (V4A/1.4404)
Tightening torque	0.6 Nm
Cable	10 m, 4-wire, CAT5, PUR
Jacket material	PUR
Jacket color	Black
Cable diameter	6.7 mm
Conductor cross section	2 x 2 x 0.34 mm ²
Shielding	Shielded
Reference voltage	≤ 60 V
Rated impulse voltage	1 kV
Signal type	Ethernet
Transmission characteristics	CAT5
Data transmission rate	≤ 100 Mbit/s
Application	Zones with oils and lubricants Outdoor Seawater resistant Cold bending resistant
Enclosure rating	IP67 (M12), IP20 (RJ45)
Operating temperature	Stationary position -40 °C ... +80 °C Head -25 °C ... +85 °C

Classifications

ECLASS 5.0	19030312
ECLASS 5.1.4	19030312
ECLASS 6.0	27060304
ECLASS 6.2	27060304
ECLASS 7.0	27060304
ECLASS 8.0	27060304
ECLASS 8.1	27060304

ECLASS 9.0	27060304
ECLASS 10.0	27060304
ECLASS 11.0	27060304
ECLASS 12.0	27060304
ETIM 5.0	EC000830
ETIM 6.0	EC000830
ETIM 7.0	EC003249
ETIM 8.0	EC003249
UNSPSC 16.0901	26121604

Dimensional drawing (Dimensions in mm (inch))



SICK AT A GLANCE

SICK is one of the leading manufacturers of intelligent sensors and sensor solutions for industrial applications. A unique range of products and services creates the perfect basis for controlling processes securely and efficiently, protecting individuals from accidents and preventing damage to the environment.

We have extensive experience in a wide range of industries and understand their processes and requirements. With intelligent sensors, we can deliver exactly what our customers need. In application centers in Europe, Asia and North America, system solutions are tested and optimized in accordance with customer specifications. All this makes us a reliable supplier and development partner.

Comprehensive services complete our offering: SICK LifeTime Services provide support throughout the machine life cycle and ensure safety and productivity.

For us, that is “Sensor Intelligence.”

WORLDWIDE PRESENCE:

Contacts and other locations –www.sick.com