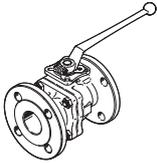


## Ball valves VZBF

**FESTO**



### Key features and product range overview

Design	Type	Valve connection	Nominal width DN	Flange hole pattern to ISO 5211	Process valve nominal pressure PN	→ Page/Internet	
Stainless steel	<b>2-way, with flange to ANSI B16.5 class 150</b>						
		VZBF	Ring housing with threaded flange	1/2"	F0304	20	4
				3/4"	F0304		
				1"	F0405		
				1 1/4"	F0405		
				1 1/2"	F0507		
				2"	F0507		
				2 1/2"	F0710		
				3"	F0710		
				4"	F1012		
				6"	F1012		
	8"	F14					
		VZBF	Ring housing with threaded flange	15	F0304	20	9
				20	F0304		
				25	F0405		
				32	F0405		
				40	F0507		
				50	F0507		
				65	F0710		
				80	F0710		
100				F1012			

## Type codes

001	Series
VZBF	Ball valve

002	Nominal diameter DN
1/2	1/2"
3/4	3/4"
1	1"
1 1/4	1 1/4"
1 1/2	1 1/2"
2	2"
2 1/2	2 1/2"
3	3"
4	4"
6	6"
8	8"

003	Process valve connection
P1	Flange to ANSI 150

004	Nominal pressure
20	20

005	Design type
D	Two-part

006	Valve function
2	2/2-way

007	Flanged connection
F0304	Hole pattern 03 and 04
F0405	Hole pattern 04 and 05
F0507	Hole pattern 05 and 07
F0710	Hole pattern 07 and 10
F1012	Hole pattern 10 and 12
F14	Hole pattern 14

008	Actuation type
	Via drive
M	With hand lever

009	Housing material
V15	Stainless steel ASTM A351-CF8M

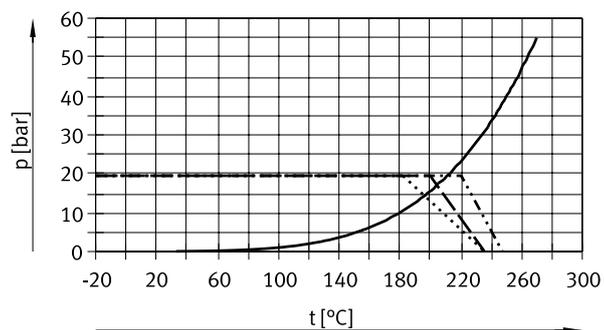
  

010	Shut-off element material
V15	Stainless steel ASTM A351-CF8M
V16	Stainless steel ASTM A240--316 / 1.4401



## Data sheet

Materials		Material number
Housing	Stainless steel casting	1.4408 (ASTM A351-CF8M)
Ball	1/2" ... 4"	1.4408 (ASTM A351-CF8M)
	6" ... 8"	High-alloy stainless steel
Shaft	High-alloy stainless steel	1.4401 (ASTM A240-316)
Seals	FPM	
	Graphite	
	PCTFE	
	PTFE	
Note on materials	RoHS-compliant	
	Contains paint-wetting impairment substances	

Permissible operating pressure  $p$  as a function of the temperature of the medium  $t$ 

- Saturated water vapour
- - - - - PTFE modified
- · - · - PTFE reinforced
- · · · · PTFE





### Accessories

#### Hand lever VAOH

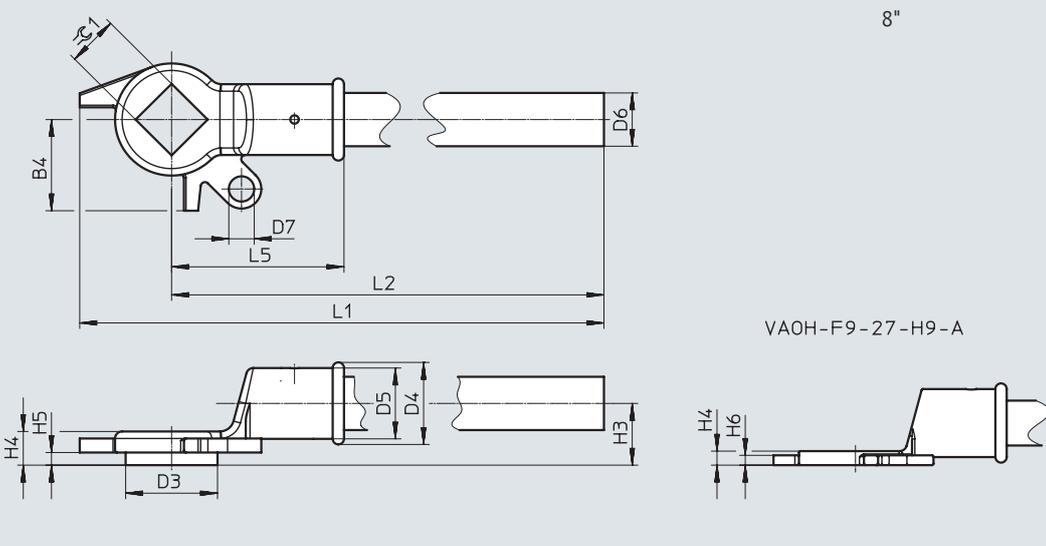
Information on materials:

- High-alloy stainless steel
- Free of copper and PTFE
- RoHS-compliant
- Contains paint-wetting impairment substances



#### Dimensions and ordering data

Download CAD data → [www.festo.com](http://www.festo.com)



#### Dimensions and ordering data

For connection	B4	D3 ∅	D4 ∅	D5 ∅	D6 ∅	D7 ∅	H3	H4	H5
6"	58	-	56.5	48.5	32	14	30	10	-
8"	65	65	58.5	50.5	38	18	43.1	15	9

For connection	H6	L1	L2	L5	±∅1	CRC <sup>2)</sup>	Weight [g]	Part no.	Type
6"	7	815.1	757.1	107	27	3	1800	<b>4895987<sup>1)</sup></b>	VAOH-F9-27-H14-A
8"	10	928	863	122	36	3	3800	<b>4895988<sup>1)</sup></b>	VAOH-F9-36-H14-A

1) Festo is only a retailer of this product, not the manufacturer.

2) Corrosion resistance class CRC 3 to Festo standard FN 940070

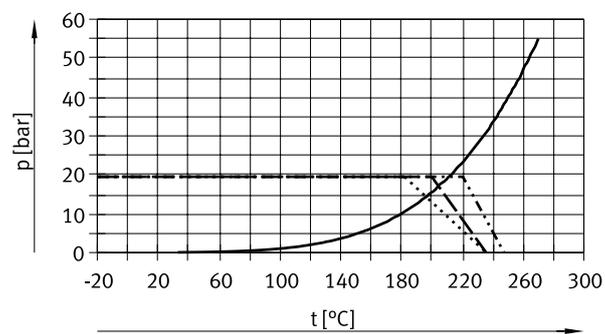
High corrosion stress. Outdoor exposure under moderate corrosive conditions. Externally visible parts with primarily functional surface requirements which are in direct contact with a normal industrial environment.



## Data sheet

Materials		Material number
Housing	Stainless steel casting	1.4408 (ASTM A351-CF8M)
Ball	Stainless steel casting	1.4408 (ASTM A351-CF8M)
Shaft	High-alloy stainless steel	1.4401 (ASTM A240-316)
Seat seal	PTFE	
	PTFE, modified	
Seals	FPM	
	Graphite	
	PCTFE	
	PTFE	
Note on materials	RoHS-compliant	
	Contains paint-wetting impairment substances	

### Permissible operating pressure $p$ as a function of the temperature of the medium $t$



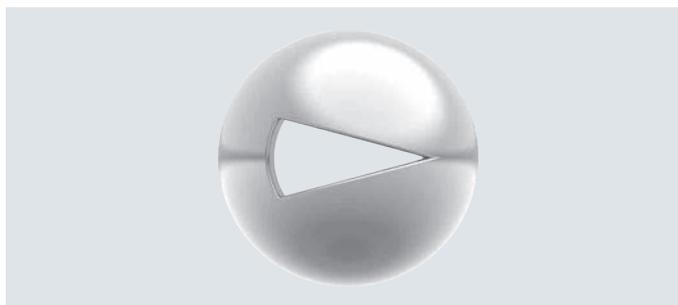
- Saturated water vapour
- - - - - PTFE modified
- PTFE reinforced
- ..... PTFE



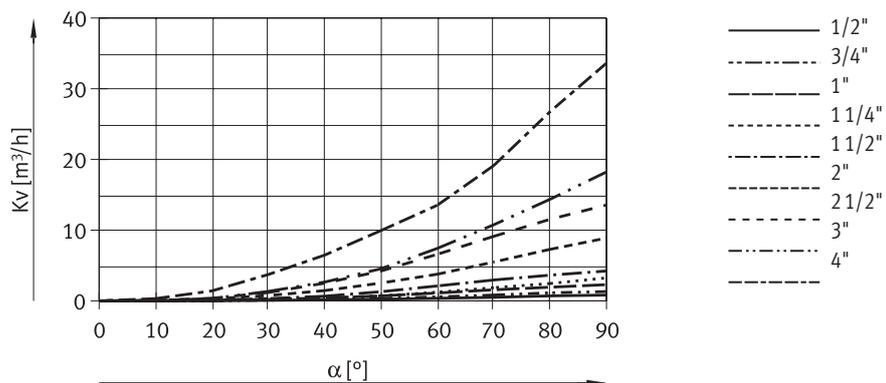
## Accessories

### V-port ball VAVC

- For ball valves VZBF
- Outlet opening 30°
- Shut-off element material:  
Stainless steel casting
- RoHS-compliant
- Contains paint-wetting impairment substances



### Flow rate factor Kv as a function of degree ° of opening of the valve



Ordering data						
	Outlet opening	Nominal width DN	CRC <sup>1)</sup>	Product weight [g]	Part no.	Type
	30°	15	4	52.6	<b>8083128</b>	VAVC-F9-B-V30-1/2"
		20		52.6	<b>8083129</b>	VAVC-F9-B-V30-3/4"
		25		159.6	<b>8083130</b>	VAVC-F9-B-V30-1"
		32		159.6	<b>8083131</b>	VAVC-F9-B-V30-1 1/4"
		40		257.7	<b>8083132</b>	VAVC-F9-B-V30-1 1/2"
		50		516.9	<b>8083133</b>	VAVC-F9-B-V30-2"
		65		954.3	<b>8083134</b>	VAVC-F9-B-V30-2 1/2"
		80		2384.1	<b>8083135</b>	VAVC-F9-B-V30-3"
		100		3287.3	<b>8083136</b>	VAVC-F9-B-V30-4"

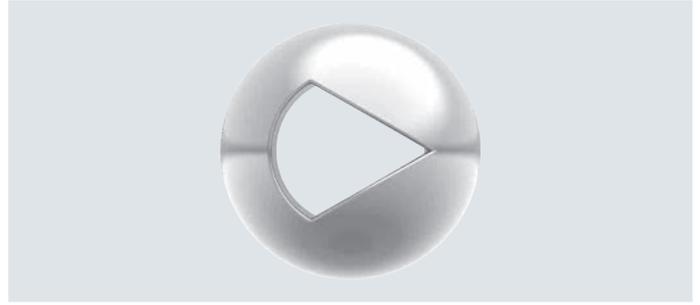
1) Corrosion resistance class CRC 4 to Festo standard FN 940070

Particularly high corrosion stress. Outdoor exposure under extreme corrosive conditions. Parts exposed to aggressive media, e.g. in the chemical or food industries. Such applications may need to be safeguarded by means of special testing (→ also FN 940082), using appropriate media.

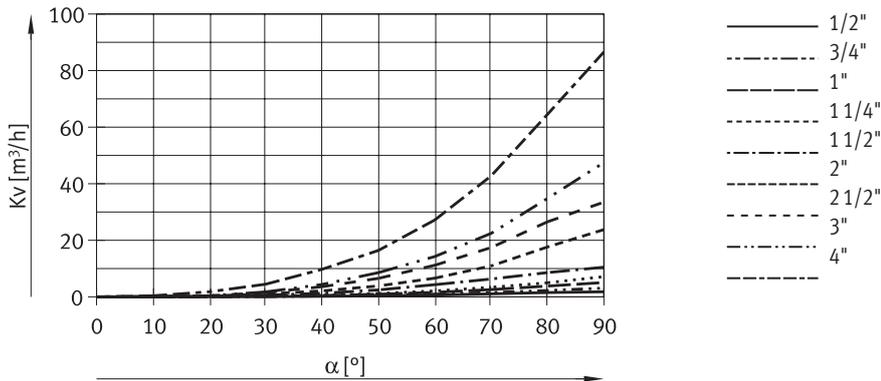
## Accessories

### V-port ball VAVC

- For ball valves VZBF
- Outlet opening 60°
- Shut-off element material:  
Stainless steel casting
- RoHS-compliant
- Contains paint-wetting impairment substances



### Flow rate factor Kv as a function of degree ° of opening of the valve



Ordering data						
	Outlet opening	Nominal width DN	CRC <sup>1)</sup>	Product weight [g]	Part no.	Type
	60°	15	4	51.1	8083137	VAVC-F9-B-V60-1/2"
		20		51.1	8083138	VAVC-F9-B-V60-3/4"
		25		154.4	8083139	VAVC-F9-B-V60-1"
		32		154.4	8083140	VAVC-F9-B-V60-1 1/4"
		40		248.5	8083141	VAVC-F9-B-V60-1 1/2"
		50		501.5	8083142	VAVC-F9-B-V60-2"
		65		922	8083143	VAVC-F9-B-V60-2 1/2"
		80		2323.6	8083144	VAVC-F9-B-V60-3"
		100		3203.9	8083145	VAVC-F9-B-V60-4"

1) Corrosion resistance class CRC 4 to Festo standard FN 940070

Particularly high corrosion stress. Outdoor exposure under extreme corrosive conditions. Parts exposed to aggressive media, e.g. in the chemical or food industries. Such applications may need to be safeguarded by means of special testing (→ also FN 940082), using appropriate media.







## Accessories

### Mounting kit DARQ

- Connection 1,  
function: drive outlet
- Connection 2,  
function: reducing outlet
- Material:  
High-alloy stainless steel
- RoHS-compliant
- Contains paint-wetting impairment substances



#### General technical data

Based on standard	EN 15081 ISO 5211
Design	Female square and male square Mounting kit
Connection 1, function	Drive outlet
Connection 2, function	Reducing outlet

#### Operating and environmental conditions

Corrosion resistance class CRC <sup>1)</sup>	2
--	---

- 1) Corrosion resistance class CRC 2 to Festo standard FN 940070  
Moderate corrosion stress. Indoor applications in which condensation can occur. External visible parts with primarily decorative surface requirements which are in direct contact with a normal industrial environment.

#### Materials

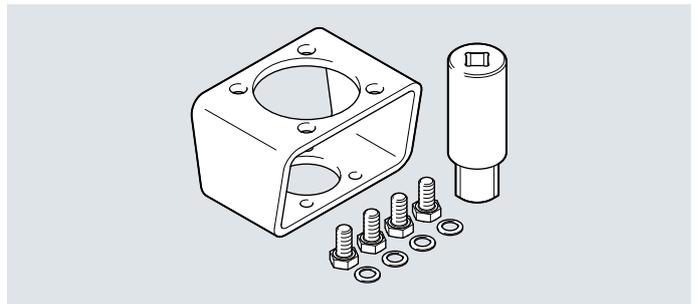
Coupling	High-alloy stainless steel
Mounting adapter	
Washer	
Screws	
Note on materials	RoHS-compliant Contains paint-wetting impairment substances





## Accessories

### Mounting kit DARQ



General technical data		
DARQ-...	K-V-...	K-Z-...
Based on standard	EN 15081 ISO 5211	
Design	Female square and male square	Dual flat and male square
Connection 1, function	Mounting kit	
Connection 1, function	Drive outlet	
Connection 2, function	Reducing outlet	

Operating and environmental conditions	
Corrosion resistance class CRC <sup>1)</sup>	2

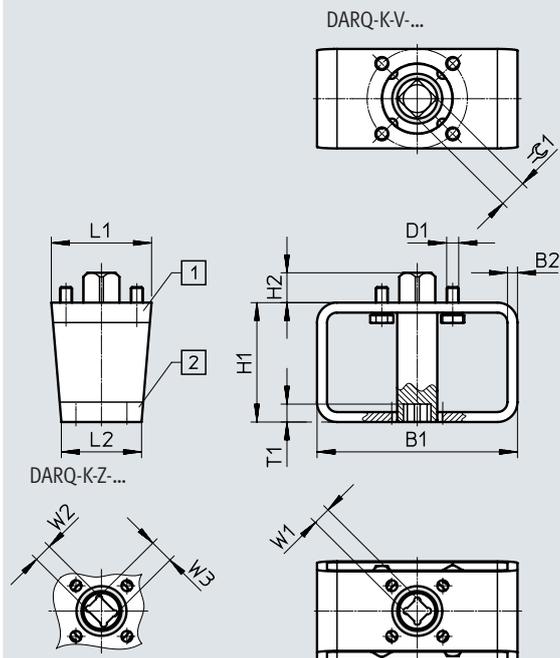
1) Corrosion resistance class CRC 2 to Festo standard FN 940070

Moderate corrosion stress. Indoor applications in which condensation can occur. External visible parts with primarily decorative surface requirements which are in direct contact with a normal industrial environment.

Materials	
Coupling	High-alloy stainless steel
Mounting adapter	Steel
Washer	High-alloy stainless steel
Screws	High-alloy stainless steel
Note on materials	RoHS-compliant
	Contains paint-wetting impairment substances

## Accessories

## Dimensions

Download CAD data → [www.festo.com](http://www.festo.com)

- [1] Connection 1, drive outlet
- [2] Connection 2, reducing outlet









# Festo - Your Partner in Automation



**1 Festo Inc.**  
5300 Explorer Drive  
Mississauga, ON L4W 5G4  
Canada

**Festo Customer Interaction Center**  
Tel: 1 877 463 3786  
Fax: 1 877 393 3786  
Email: [customer.service.ca@festo.com](mailto:customer.service.ca@festo.com)



**2 Festo Pneumatic**  
Av. Ceylán 3,  
Col. Tequesquináhuac  
54020 Tlalnepantla,  
Estado de México

**Multinational Contact Center**  
01 800 337 8669  
[ventas.mexico@festo.com](mailto:ventas.mexico@festo.com)



**3 Festo Corporation**  
1377 Motor Parkway  
Suite 310  
Islandia, NY 11749

**Festo Customer Interaction Center**  
1 800 993 3786  
1 800 963 3786  
[customer.service.us@festo.com](mailto:customer.service.us@festo.com)



**4 Regional Service Center**  
7777 Columbia Road  
Mason, OH 45040

Connect with us



[www.festo.com/socialmedia](http://www.festo.com/socialmedia)



[www.festo.com](http://www.festo.com)

Subject to change