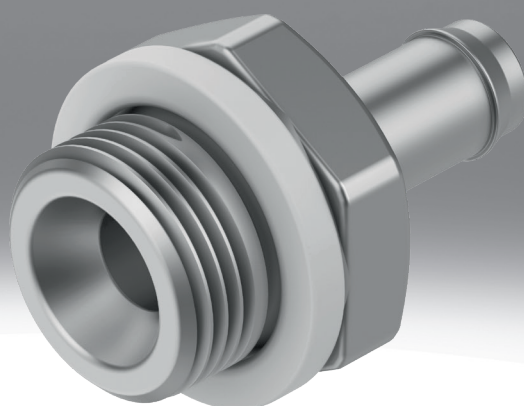


Barbed fitting CN

FESTO



Datasheet

Technical data – Barbed fitting N

| | |
|---|--|
| Pneumatic connection, port 1 | Male thread M5 |
| Pneumatic connection, port 2 | For tubing outside diameter of 4 mm For tubing outside diameter of 6 mm |
| Design | Straight design |
| Mounting position | optional |
| Type of seal on screwed plug | Sealing ring |
| Operating pressure complete temperature range | -0.95 ... 10 bar |
| Operating medium | Compressed air to ISO 8573-1:2010 [7:-] |
| Ambient temperature | -10 ... 60°C |
| Note on operating and pilot medium | Lubricated operation possible (in which case lubricated operation will always be required) |
| Corrosion resistance class CRC ¹⁾ | 1 - Low corrosion stress |
| Material housing | Brass |
| Note on materials | RoHS-compliant |
| LABS (PWIS) conformity | VDMA24364-B1/B2-L |

1) More information www.festo.com/x/topic/crc

Technical data – Barbed fitting CN

| Pneumatic connection, port 1 | Male thread M3 | Male thread M5 | Male thread G1/8 | Male thread G1/4 | Male thread G3/8 |
|---|--|---|---|--|-------------------------------------|
| Pneumatic connection, port 2 | For tubing outer diameter of 3 mm For tubing outside diameter of 4 mm | For tubing outer diameter of 3 mm For tubing outside diameter of 4 mm For tubing outside diameter of 6 mm | For tubing outside diameter of 4 mm For tubing outside diameter of 6 mm For tubing outside diameter of 8 mm | For tubing outside diameter of 6 mm For tubing outside diameter of 8 mm | For tubing outside diameter of 8 mm |
| Type of seal on screwed plug | Sealing ring | | | | |
| Operating pressure complete temperature range | -0.95 ... 10 bar | | | | |
| Operating medium | Compressed air to ISO 8573-1:2010 [7:-] | | | | |
| Ambient temperature | 0 ... 60°C | | | | |
| Note on operating and pilot medium | Lubricated operation possible (in which case lubricated operation will always be required) | | | | |
| Corrosion resistance class CRC ¹⁾ | – | 2 - Moderate corrosion stress | | | |
| Material housing | High-alloy steel | Steel | Aluminium | | |
| Note on materials | RoHS-compliant | | | | |
| LABS (PWIS) conformity | VDMA24364-B1/B2-L | | | | |

1) More information www.festo.com/x/topic/crc

Technical data – Barbed fitting CRCN

| Pneumatic connection, port 1 | Male thread M5 | Male thread G1/8 | Male thread G1/4 | Male thread G3/8 |
|---|---|---|--|-------------------------------------|
| Pneumatic connection, port 2 | For tubing outer diameter of 3 mm For tubing outside diameter of 4 mm For tubing outside diameter of 6 mm | For tubing outside diameter of 4 mm For tubing outside diameter of 6 mm For tubing outside diameter of 8 mm | For tubing outside diameter of 6 mm For tubing outside diameter of 8 mm | For tubing outside diameter of 8 mm |
| Type of seal on screwed plug | Sealing ring | | | |
| Operating pressure complete temperature range | -0.95 ... 10 bar | | | |
| Operating medium | Compressed air to ISO 8573-1:2010 [7:-] | | | |
| Ambient temperature | 0 ... 60°C | | | |
| Note on operating and pilot medium | Lubricated operation possible (in which case lubricated operation will always be required) | | | |
| Corrosion resistance class CRC ¹⁾ | 2 - Moderate corrosion stress | | | |
| Suitable for use with food | See supplementary material information | | | |
| Material housing | High-alloy stainless steel | | | |
| Material thread seal | NBR, High-alloy stainless steel | PA-reinforced, TPE-U(PU) | | |
| Note on materials | RoHS-compliant | | | |
| LABS (PWIS) conformity | VDMA24364-B2-L | | | |

1) More information www.festo.com/x/topic/crc

Datasheet

Technical data – Barbed bulkhead connector SCN

| | | | | |
|---|--|-----------------------------------|-------------------------------------|-----------------------------------|
| Pneumatic connection, port 1 | For tubing outside diameter of 3 mm | For tubing outer diameter of 4 mm | For tubing outside diameter of 6 mm | For tubing outer diameter of 8 mm |
| Operating pressure complete temperature range | -0.95 ... 10 bar | | | |
| Operating medium | Compressed air to ISO 8573-1:2010 [7:-:] | | | |
| Ambient temperature | 0 ... 60°C | | | |
| Note on operating and pilot medium | Lubricated operation possible (in which case lubricated operation will always be required) | | | |
| Corrosion resistance class CRC ¹⁾ | – | | | |
| Material housing | Aluminium | | | |
| Note on materials | RoHS-compliant | | | |
| LABS (PWIS) conformity | VDMA24364-B1/B2-L | | | |

1) More information www.festo.com/x/topic/crc**Technical data – Barbed tubing connector RTU**

| | | | | |
|------------------------------------|--|---|---|-------------------------------------|
| Pneumatic connection, port 1 | For tubing outside diameter of 3 mm | For tubing outer diameter of 4 mm | For tubing outside diameter of 6 mm | For tubing outer diameter of 8 mm |
| Pneumatic connection, port 2 | – | For tubing outer diameter of 3 mm, For tubing outside diameter of 4 mm | For tubing outside diameter of 4 mm, For tubing outside diameter of 6 mm | For tubing outside diameter of 6 mm |
| Operating medium | Compressed air to ISO 8573-1:2010 [7:-:] | | | |
| Note on operating and pilot medium | Lubricated operation possible (in which case lubricated operation will always be required) | | | |
| Material housing | Brass | | | |
| Note on materials | RoHS-compliant | | | |
| LABS (PWIS) conformity | VDMA24364-B1/B2-L | | | |

Technical data – Barbed elbow fitting LCN

| | | | | | |
|---|--|---|---|--|-------------------------------------|
| Pneumatic connection, port 1 | Male thread M3 | Male thread M5 | Male thread G1/8 | Male thread G1/4 | Male thread G3/8 |
| Pneumatic connection, port 2 | For tubing outer diameter of 3 mm For tubing outside diameter of 4 mm | For tubing outer diameter of 3 mm For tubing outside diameter of 4 mm For tubing outside diameter of 6 mm | For tubing outside diameter of 4 mm For tubing outside diameter of 6 mm For tubing outside diameter of 8 mm | For tubing outside diameter of 6 mm For tubing outside diameter of 8 mm | For tubing outside diameter of 8 mm |
| Type of seal on screwed plug | Sealing ring | | | | |
| Operating pressure complete temperature range | -0.95 ... 10 bar | | | | |
| Operating medium | Compressed air to ISO 8573-1:2010 [7:-:] | | | | |
| Ambient temperature | 0 ... 60°C | | | | |
| Note on operating and pilot medium | Lubricated operation possible (in which case lubricated operation will always be required) | | | | |
| Corrosion resistance class CRC ¹⁾ | 2 - Moderate corrosion stress | | | | |
| Material housing | Die-cast zinc, High-alloy stainless steel | Steel, Die-cast zinc | Aluminium, Die-cast zinc | | |
| Note on materials | RoHS-compliant | | | | |
| LABS (PWIS) conformity | VDMA24364-B1/B2-L | | | | |

1) More information www.festo.com/x/topic/crc

Datasheet

Technical data – Barbed elbow fitting LCNH

| | | | | |
|---|---|---|--|-------------------------------------|
| Pneumatic connection, port 1 | Male thread M5 | Male thread G1/8 | Male thread G1/4 | Male thread G3/8 |
| Pneumatic connection, port 2 | For tubing outer diameter of 3 mm For tubing outside diameter of 4 mm For tubing outside diameter of 6 mm | For tubing outside diameter of 4 mm For tubing outside diameter of 6 mm For tubing outside diameter of 8 mm | For tubing outside diameter of 6 mm For tubing outside diameter of 8 mm | For tubing outside diameter of 8 mm |
| Type of seal on screwed plug | Sealing ring | | | |
| Operating pressure complete temperature range | -0.95 ... 10 bar | | | |
| Operating medium | Compressed air to ISO 8573-1:2010 [7:-:] | | | |
| Ambient temperature | 0 ... 60°C | | | |
| Note on operating and pilot medium | Lubricated operation possible (in which case lubricated operation will always be required) | | | |
| Corrosion resistance class CRC ¹⁾ | 2 - Moderate corrosion stress | | | |
| Material housing | Steel, Die-cast zinc | Aluminium, Die-cast zinc | | |
| Note on materials | RoHS-compliant | | | |
| LABS (PWIS) conformity | VDMA24364-B1/B2-L | | | |

1) More information www.festo.com/x/topic/crc**Technical data – Barbed L-connector L-PK**

| | | | | |
|------------------------------------|--|-----------------------------------|-------------------------------------|-----------------------------------|
| Pneumatic connection, port 1 | For tubing outside diameter of 3 mm | For tubing outer diameter of 4 mm | For tubing outside diameter of 6 mm | For tubing outer diameter of 8 mm |
| Operating medium | Compressed air to ISO 8573-1:2010 [7:-:] | | | |
| Note on operating and pilot medium | Lubricated operation possible (in which case lubricated operation will always be required) | | | |
| Material housing | POM | | | |
| Note on materials | RoHS-compliant | | | |
| LABS (PWIS) conformity | VDMA24364-B1/B2-L | | | |

Technical data – Barbed T-fitting TCN

| | | | | | |
|---|--|---|---|--|-------------------------------------|
| Pneumatic connection, port 1 | Male thread M3 | Male thread M5 | Male thread G1/8 | Male thread G1/4 | Male thread G3/8 |
| Pneumatic connection, port 2 | For tubing outer diameter of 3 mm For tubing outside diameter of 4 mm | For tubing outer diameter of 3 mm For tubing outside diameter of 4 mm For tubing outside diameter of 6 mm | For tubing outside diameter of 4 mm For tubing outside diameter of 6 mm For tubing outside diameter of 8 mm | For tubing outside diameter of 6 mm For tubing outside diameter of 8 mm | For tubing outside diameter of 8 mm |
| Type of seal on screwed plug | Sealing ring | | | | |
| Operating pressure complete temperature range | -0.95 ... 10 bar | | | | |
| Operating medium | Compressed air to ISO 8573-1:2010 [7:-:] | | | | |
| Ambient temperature | 0 ... 60°C | | | | |
| Note on operating and pilot medium | Lubricated operation possible (in which case lubricated operation will always be required) | | | | |
| Corrosion resistance class CRC ¹⁾ | 2 - Moderate corrosion stress | | | | |
| Material housing | Die-cast zinc High-alloy stainless steel | Steel Die-cast zinc | Aluminium Die-cast zinc | | |
| Note on materials | RoHS-compliant | | | | |
| LABS (PWIS) conformity | VDMA24364-B1/B2-L | | | | |

1) More information www.festo.com/x/topic/crc**Technical data – Barbed T-connector T-PK**

| | | | | |
|------------------------------------|--|-----------------------------------|-------------------------------------|-----------------------------------|
| Pneumatic connection, port 1 | For tubing outside diameter of 3 mm | For tubing outer diameter of 4 mm | For tubing outside diameter of 6 mm | For tubing outer diameter of 8 mm |
| Operating medium | Compressed air to ISO 8573-1:2010 [7:-:] | | | |
| Note on operating and pilot medium | Lubricated operation possible (in which case lubricated operation will always be required) | | | |
| Material housing | POM | | | |
| Note on materials | RoHS-compliant | | | |
| LABS (PWIS) conformity | VDMA24364-B1/B2-L | | | |

Datasheet

Technical data – Barbed Y-connector Y-PK

| Pneumatic connection, port 1 | For tubing outside diameter of 3 mm | For tubing outer diameter of 4 mm | For tubing outside diameter of 6 mm | For tubing outer diameter of 8 mm |
|------------------------------------|--|-----------------------------------|-------------------------------------|-----------------------------------|
| Operating medium | Compressed air to ISO 8573-1:2010 [7:-:] | | | |
| Note on operating and pilot medium | Lubricated operation possible (in which case lubricated operation will always be required) | | | |
| Material housing | POM | | | |
| Note on materials | RoHS-compliant | | | |
| LABS (PWIS) conformity | VDMA24364-B1/B2-L | | | |

Technical data – Barbed T-connector FCN

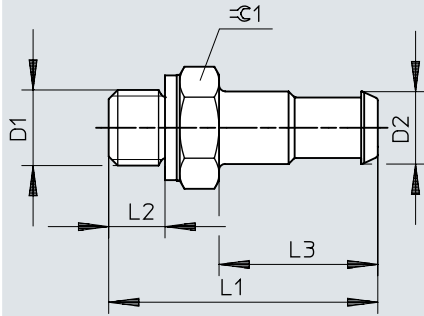
| Pneumatic connection, port 1 | For tubing outside diameter of 3 mm | For tubing outer diameter of 4 mm | For tubing outside diameter of 6 mm | For tubing outer diameter of 8 mm |
|---|--|-------------------------------------|-------------------------------------|-----------------------------------|
| Pneumatic connection, port 2 | For tubing outside diameter of 4 mm | For tubing outside diameter of 6 mm | For tubing outside diameter of 8 mm | – |
| Operating pressure complete temperature range | -0.95 ... 10 bar | | | |
| Operating medium | Compressed air to ISO 8573-1:2010 [7:-:] | | | |
| Ambient temperature | 0 ... 60°C | | | |
| Note on operating and pilot medium | Lubricated operation possible (in which case lubricated operation will always be required) | | | |
| Corrosion resistance class CRC ¹⁾ | – | | | |
| Material housing | Die-cast zinc | | | |
| Note on materials | RoHS-compliant | | | |
| LABS (PWIS) conformity | VDMA24364-B1/B2-L | | | |

1) More information www.festo.com/x/topic/crc

Dimensions

Dimensions – Barbed fitting N

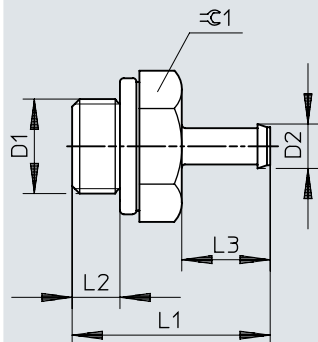
Download CAD data → www.festo.com



| | D1 | D2 | L1 | L2 | L3 | ≈C |
|-----------|----|-----|----|-----|------|----|
| N-M5-PK-3 | M5 | 3,6 | 16 | 3,5 | 8,5 | 7 |
| N-M5-PK-4 | | 4,8 | 18 | 3,5 | 10,5 | 7 |

Dimensions

Dimensions – Barbed fitting CN

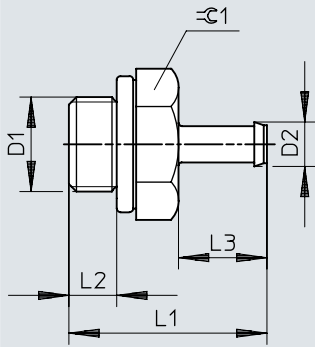
Download CAD data → www.festo.com

| | D1 | D2 | L1 | L2 | L3 | ≈C |
|-------------|------|------|------|-----|------|-----|
| CN-M3-PK-2 | M3 | 2,6 | 10 | 3 | 5 | 4,5 |
| CN-M3-PK-3 | | 3,4 | 11 | 3 | 6 | 4,5 |
| CN-M5-PK-2 | M5 | 2,95 | 13,8 | 3,8 | 6 | 7 |
| CN-M5-PK-3 | | 3,6 | 17,5 | 3,8 | 9,7 | 7 |
| CN-M5-PK-4 | | 4,8 | 19,5 | 3,8 | 11,7 | 7 |
| CN-1/8-PK-3 | G1/8 | 3,6 | 20,2 | 4,9 | 9,7 | 13 |
| CN-1/8-PK-4 | | 4,8 | 22,2 | 4,9 | 11,7 | 13 |
| CN-1/8-PK-6 | | 7 | 24,5 | 4,9 | 14 | 13 |
| CN-1/4-PK-4 | G1/4 | 4,8 | 24,7 | 5,8 | 11,7 | 17 |
| CN-1/4-PK-6 | | 7 | 27 | 5,8 | 14 | 17 |
| CN-3/8-PK-6 | G3/8 | 7 | 28 | 6,8 | 14 | 19 |

Dimensions

Dimensions – Barbed fitting CRCN

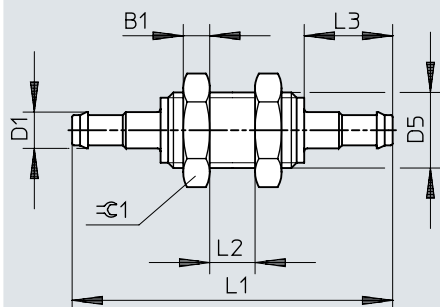
Download CAD data → www.festo.com



| | D1 | D2 | L1 | L2 | L3 | ≡C |
|---------------|------|------|------|-----|------|----|
| CRCN-M5-PK-2 | M5 | 2,95 | 13,8 | 3,8 | 6 | 7 |
| CRCN-M5-PK-3 | | 3,6 | 17,5 | 3,8 | 9,7 | 7 |
| CRCN-M5-PK-4 | | 4,8 | 19,5 | 3,8 | 11,7 | 7 |
| CRCN-1/8-PK-3 | G1/8 | 3,6 | 20,2 | 4,9 | 9,7 | 13 |
| CRCN-1/8-PK-4 | | 4,8 | 22,2 | 4,9 | 11,7 | 13 |
| CRCN-1/8-PK-6 | | 7 | 24,5 | 4,9 | 14 | 13 |
| CRCN-1/4-PK-4 | G1/4 | 4,8 | 24,7 | 5,8 | 11,7 | 17 |
| CRCN-1/4-PK-6 | | 7 | 27 | 5,8 | 14 | 17 |
| CRCN-3/8-PK-6 | G3/8 | 7 | 28 | 6,8 | 14 | 19 |

Dimensions

Dimensions – Barbed bulkhead connector SCN

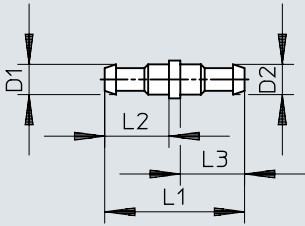
Download CAD data → www.festo.com

| | B1 | D1 | D5 | L1 | L2 | L3 | ≡C |
|----------|-----|------|---------|------|----|------|----|
| SCN-PK-2 | 2,2 | 2,95 | M4 | 23,4 | 6 | 6 | 7 |
| SCN-PK-3 | 3,2 | 3,6 | M6x0,75 | 35,3 | 8 | 9,7 | 10 |
| SCN-PK-4 | 3,5 | 4,8 | M10x1 | 42,4 | 10 | 11,7 | 13 |
| SCN-PK-6 | 4 | 7 | M12x1 | 48 | 10 | 14 | 17 |

Dimensions

Dimensions – Barbed tubing connector RTU

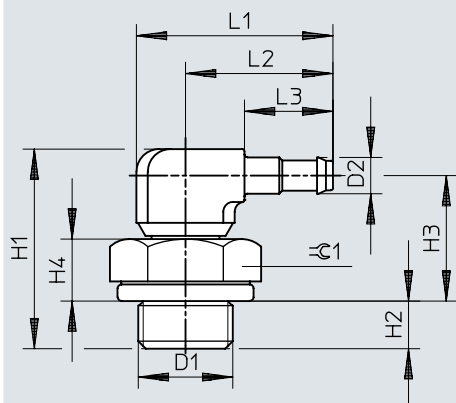
Download CAD data → www.festo.com



| | D1 | D2 | L1 | L2 | L3 |
|--------------|------|------|------|------|------|
| RTU-PK-2/2-B | 2,95 | 2,95 | 14 | 6 | 6 |
| RTU-PK-3/2 | 3,6 | 2,95 | 17,7 | 9,7 | 6 |
| RTU-PK-3/3 | 3,6 | 3,6 | 19 | 8,5 | 8,5 |
| RTU-PK-3/4 | 3,6 | 4,8 | 20 | 8,5 | 10,5 |
| RTU-PK-4/4 | 4,8 | 4,8 | 23 | 10,5 | 10,5 |
| RTU-PK-4/6 | 4,8 | 7 | 25,5 | 10,5 | 13 |
| RTU-PK-6/6 | 7 | 7 | 28 | 13 | 13 |

Dimensions

Dimensions – Barbed elbow fitting LCN

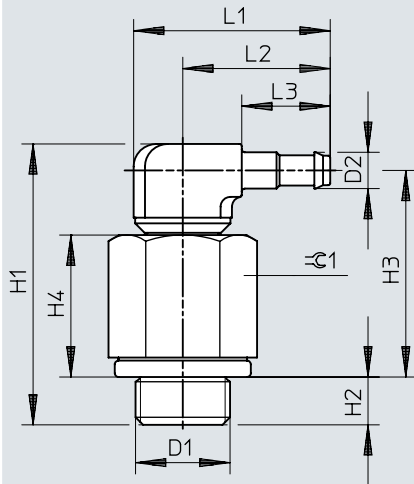
Download CAD data → www.festo.com

| | D1 | D2 | H1 | H2 | H3 | H4 | L1 | L2 | L3 | ±G |
|---------------|------|------|-------|-----|-------|-----|------|------|------|-----|
| LCN-M3-PK-2-B | M3 | 2,95 | 14 | 2,8 | 9,2 | 3,0 | 12,2 | 9,6 | 6 | 4,5 |
| LCN-M3-PK-3 | | 3,6 | 15,2 | 2,8 | 9,8 | 3,0 | 15,9 | 13,3 | 9,7 | 4,5 |
| LCN-M5-PK-2 | M5 | 2,95 | 16 | 3,8 | 10,2 | 4,0 | 12,2 | 9,6 | 6 | 7 |
| LCN-M5-PK-3 | | 3,6 | 20,1 | 3,8 | 13,7 | 4,0 | 18,7 | 14,7 | 9,7 | 7 |
| LCN-M5-PK-4 | | 4,8 | 21,4 | 3,8 | 13,9 | 4,0 | 20,7 | 16,7 | 11,7 | 7 |
| LCN-1/8-PK-3 | G1/8 | 3,6 | 21,2 | 4,9 | 13,7 | 5,6 | 24 | 17,5 | 9,7 | 13 |
| LCN-1/8-PK-4 | | 4,8 | 22,55 | 4,9 | 14,15 | 5,6 | 26 | 19,5 | 11,7 | 13 |
| LCN-1/8-PK-6 | | 7 | 24,45 | 4,9 | 15,15 | 5,6 | 28,5 | 22 | 14,2 | 13 |
| LCN-1/4-PK-4 | G1/4 | 4,8 | 25,05 | 5,8 | 15,75 | 7,2 | 26 | 19,5 | 11,7 | 17 |
| LCN-1/4-PK-6 | | 7 | 26,95 | 5,8 | 16,75 | 7,2 | 28,5 | 22 | 14,2 | 17 |
| LCN-3/8-PK-6 | G3/8 | 7 | 27,95 | 6,8 | 16,75 | 7,2 | 28,5 | 22 | 14,2 | 19 |

Dimensions

Dimensions – Barbed elbow fitting LCNH

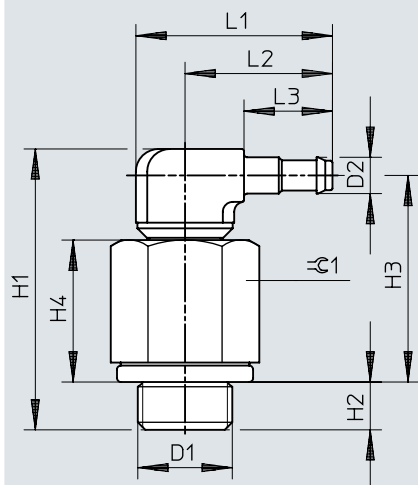
Download CAD data → www.festo.com



| | D1 | D2 | H1 | H2 | H3 | H4 | L1 | L2 | L3 | ≡ |
|---------------|------|------|-------|-----|-------|------|------|------|------|----|
| LCNH-M5-PK-2 | M5 | 2,95 | 26,9 | 3,8 | 21,1 | 14,9 | 12,2 | 9,6 | 6 | 7 |
| LCNH-M5-PK-3 | | 3,6 | 28,7 | 3,8 | 22,3 | 12,6 | 18,7 | 14,7 | 9,7 | 7 |
| LCNH-M5-PK-4 | | 4,8 | 30,2 | 3,8 | 22,9 | 12,6 | 20,7 | 16,7 | 11,7 | 7 |
| LCNH-1/8-PK-3 | G1/8 | 3,6 | 31,8 | 4,9 | 24,3 | 16,2 | 24 | 17,5 | 9,7 | 13 |
| LCNH-1/8-PK-4 | | 4,8 | 33,15 | 4,9 | 24,75 | 16,2 | 26 | 19,5 | 11,7 | 13 |
| LCNH-1/8-PK-6 | | 7 | 35,05 | 4,9 | 25,75 | 16,2 | 28,5 | 22 | 14,2 | 13 |
| LCNH-1/4-PK-4 | G1/4 | 4,8 | 35,65 | 5,8 | 26,35 | 17,8 | 26 | 19,5 | 11,7 | 17 |
| LCNH-1/4-PK-6 | | 7 | 37,55 | 5,8 | 27,35 | 17,8 | 28,5 | 22 | 14,2 | 17 |
| LCNH-3/8-PK-6 | G3/8 | 7 | 38,55 | 6,8 | 27,35 | 17,8 | 28,5 | 22 | 14,2 | 19 |

Dimensions

Dimensions – Barbed L-connector L-PK

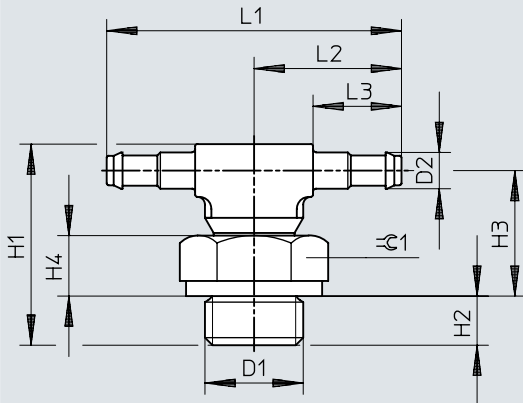
Download CAD data → www.festo.com

| | D1 | D2 | H1 | H2 | H3 | H4 | L1 | L2 | L3 | ≅ |
|---------------|------|------|-------|-------|-------|-------|------|------|------|------|
| LCNH-M5-PK-2 | M5 | 2,95 | 26,9 | 3,8 | 21,1 | 14,9 | 12,2 | 9,6 | 6 | 7 |
| LCNH-M5-PK-3 | | 3,6 | 28,7 | 3,8 | 22,3 | 12,6 | 18,7 | 14,7 | 9,7 | 7 |
| LCNH-M5-PK-4 | | 4,8 | 30,2 | 3,8 | 22,9 | 12,6 | 20,7 | 16,7 | 11,7 | 7 |
| LCNH-1/8-PK-3 | G1/8 | 3,6 | 31,8 | 4,9 | 24,3 | 16,2 | 24 | 17,5 | 9,7 | 13 |
| LCNH-1/8-PK-4 | | 4,8 | 33,15 | 4,9 | 24,75 | 16,2 | 26 | 19,5 | 11,7 | 13 |
| LCNH-1/8-PK-6 | | 7 | 35,05 | 4,9 | 25,75 | 16,2 | 28,5 | 22 | 14,2 | 13 |
| LCNH-1/4-PK-4 | G1/4 | 4,8 | 35,65 | 5,8 | 26,35 | 17,8 | 26 | 19,5 | 11,7 | 17 |
| LCNH-1/4-PK-6 | | 7 | 37,55 | 5,8 | 27,35 | 17,8 | 28,5 | 22 | 14,2 | 17 |
| LCNH-3/8-PK-6 | | G3/8 | 7 | 38,55 | 6,8 | 27,35 | 17,8 | 28,5 | 22 | 14,2 |

Dimensions

Dimensions – Barbed T-fitting TCN

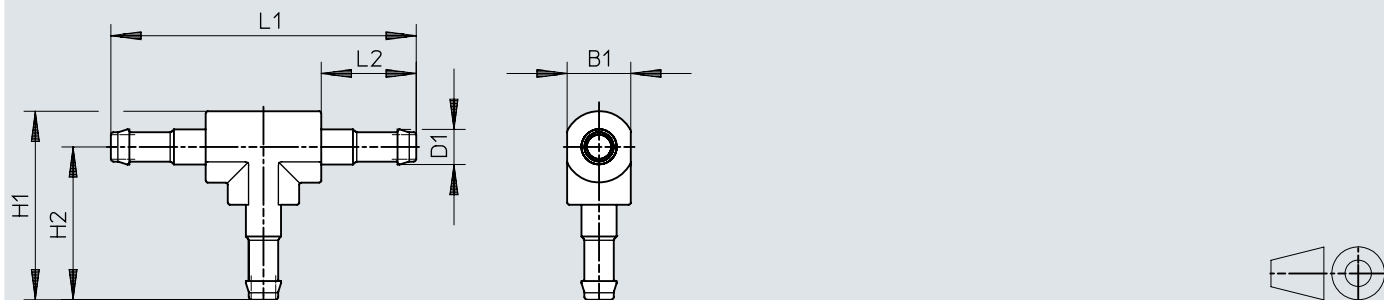
Download CAD data → www.festo.com



| | D1 | D2 | H1 | H2 | H3 | H4 | L1 | L2 | L3 | ≅ |
|--------------|------|------|-------|-----|-------|-----|------|------|------|-----|
| TCN-M3-PK-2 | M3 | 2,95 | 14 | 2,8 | 9,2 | 3,0 | 19,2 | 9,6 | 6 | 4,5 |
| TCN-M3-PK-3 | | 3,6 | 15,2 | 2,8 | 9,8 | 3,0 | 26,6 | 13,3 | 9,7 | 4,5 |
| TCN-M5-PK-2 | M5 | 2,95 | 16 | 3,8 | 10,2 | 4,0 | 19,2 | 9,6 | 6 | 7 |
| TCN-M5-PK-3 | | 3,6 | 20,1 | 3,8 | 13,7 | 4,0 | 29,4 | 14,7 | 9,7 | 7 |
| TCN-M5-PK-4 | | 4,8 | 18,1 | 3,8 | 14,3 | 4,0 | 33,4 | 16,7 | 11,7 | 7 |
| TCN-1/8-PK-3 | G1/8 | 3,6 | 21,2 | 4,9 | 13,7 | 5,6 | 35 | 17,5 | 9,7 | 13 |
| TCN-1/8-PK-4 | | 4,8 | 22,55 | 4,9 | 14,15 | 5,6 | 39 | 19,5 | 11,7 | 13 |
| TCN-1/8-PK-6 | | 7 | 24,45 | 4,9 | 15,15 | 5,6 | 44 | 22 | 14,2 | 13 |
| TCN-1/4-PK-4 | G1/4 | 4,8 | 25,05 | 5,8 | 15,75 | 7,2 | 39 | 19,5 | 11,7 | 17 |
| TCN-1/4-PK-6 | | 7 | 26,95 | 5,8 | 16,75 | 7,2 | 44 | 22 | 14,2 | 17 |
| TCN-3/8-PK-6 | G3/8 | 7 | 27,95 | 6,8 | 16,75 | 7,2 | 44 | 22 | 14,2 | 19 |

Dimensions

Dimensions – Barbed T-connector T-PK

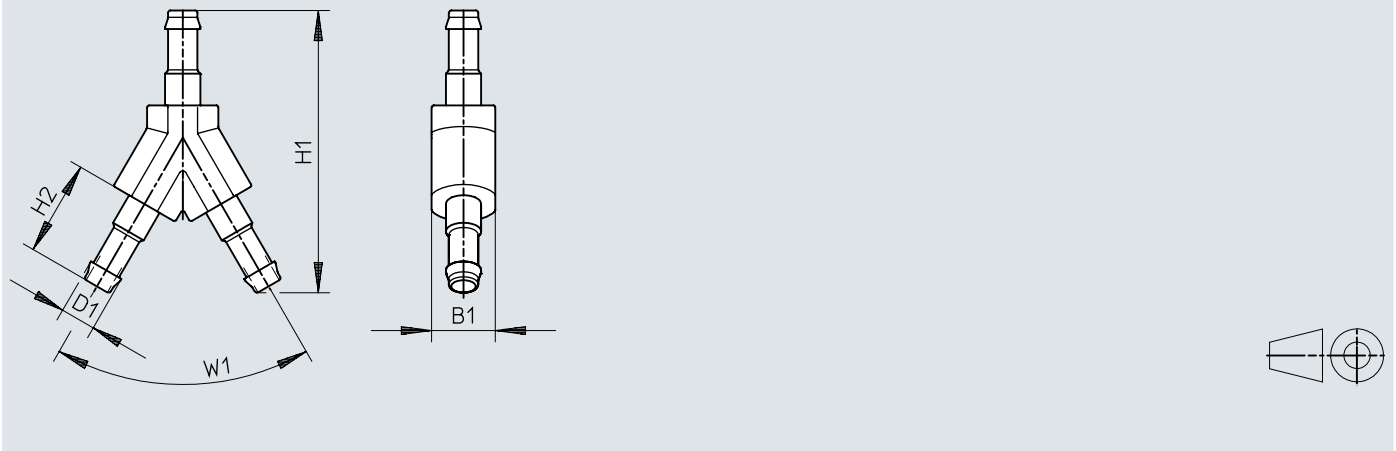
Download CAD data → www.festo.com

| | B1 | D1 | H1 | H2 | L1 | L2 |
|--------|------|------|-------|------|------|------|
| T-PK-2 | 4 | 2,95 | 12,2 | 10,2 | 20,4 | 6 |
| T-PK-3 | 6,5 | 3,6 | 19,25 | 15,6 | 31,2 | 9,7 |
| T-PK-4 | 7,8 | 4,8 | 23 | 18,7 | 37,4 | 11,7 |
| T-PK-6 | 10,4 | 7 | 31,5 | 26,3 | 52,6 | 14 |

Dimensions

Dimensions – Barbed Y-connector Y-PK

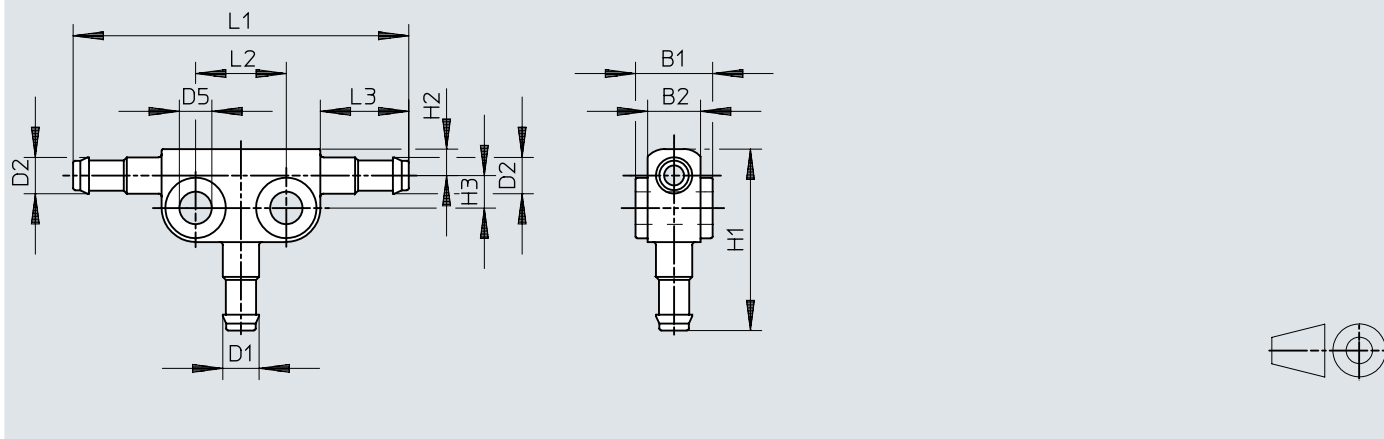
Download CAD data → www.festo.com



| | B1 | D1 | H1 | H2 |
|--------|------|------|------|------|
| Y-PK-2 | 4 | 2,95 | 18 | 6 |
| Y-PK-3 | 6,5 | 3,6 | 28,8 | 9,7 |
| Y-PK-4 | 7,8 | 4,8 | 34,5 | 11,7 |
| Y-PK-6 | 10,4 | 7 | 49,2 | 14 |

Dimensions


Dimensions – Barbed T-connector FCN

Download CAD data → www.festo.com


| | B1 | B2 | D1 | D2 | D5 | H1 | H2 | H3 | L1 | L2 | L3 |
|--------------|------|-----|------|------|-----|------|-----|-----|------|----|------|
| FCN-3-PK-2B | 6 | 4 | 2,95 | 2,95 | 3,2 | 15,7 | 3,1 | 2,6 | 28 | 8 | 6 |
| FCN-3-PK-3/2 | 8,4 | 5,2 | 2,95 | 3,6 | 4,3 | 17,9 | 3,5 | 3,9 | 38,4 | 10 | 9,7 |
| FCN-3-PK-3 | 8,4 | 5,2 | 3,6 | 3,6 | 4,3 | 21,6 | 3,5 | 3,9 | 38,4 | 10 | 9,7 |
| FCN-3-PK-4/3 | 10,2 | 7 | 3,6 | 4,8 | 4,3 | 22 | 3,5 | 4,3 | 44,4 | 12 | 11,7 |
| FCN-3-PK-4 | 10,2 | 7 | 4,8 | 4,8 | 4,3 | 24 | 3,5 | 4,3 | 44,4 | 12 | 11,7 |
| FCN-3-PK-6/4 | 12 | 8,8 | 4,8 | 7 | 4,3 | 25,9 | 4,4 | 5,3 | 49,4 | 12 | 14,2 |
| FCN-3-PK-6 | 12 | 8,8 | 7 | 7 | 4,3 | 28,4 | 4,4 | 5,3 | 49,4 | 12 | 14,2 |

Ordering data


Ordering data – Barbed fitting N

| | Pneumatic connection, port 1 | Pneumatic connection, port 2 | Nominal size | Product weight | Part no. | Type |
|--|------------------------------|-------------------------------------|--------------|----------------|----------|-----------|
|  | Male thread M5 | For tubing outside diameter of 4 mm | 2.5 mm | 2 g | 4446 | N-M5-PK-3 |
| | | For tubing outside diameter of 6 mm | | | 4902 | N-M5-PK-4 |


Ordering data – Barbed fitting CN


| | Pneumatic connection, port 1 | Pneumatic connection, port 2 | Nominal size | Part no. | Type |
|--|-------------------------------------|-------------------------------------|--------------|-------------|-------------|
|  | Male thread M3 | For tubing outer diameter of 3 mm | 1.5 mm | 15871 | CN-M3-PK-2 |
| | | For tubing outside diameter of 4 mm | | 15872 | CN-M3-PK-3 |
| | Male thread M5 | For tubing outer diameter of 3 mm | 2.5 mm | 19521 | CN-M5-PK-2 |
| | | For tubing outside diameter of 4 mm | | 12255 | CN-M5-PK-3 |
| | | For tubing outside diameter of 6 mm | | 12256 | CN-M5-PK-4 |
| | Male thread G1/8 | For tubing outside diameter of 4 mm | 3.2 mm | 11944 | CN-1/8-PK-3 |
| | | For tubing outside diameter of 6 mm | | 11945 | CN-1/8-PK-4 |
| | | For tubing outside diameter of 8 mm | | 11946 | CN-1/8-PK-6 |
| | Male thread G1/4 | For tubing outside diameter of 6 mm | 5.3 mm | 11947 | CN-1/4-PK-4 |
| | | For tubing outside diameter of 8 mm | | 11948 | CN-1/4-PK-6 |
| Male thread G3/8 | For tubing outside diameter of 8 mm | | 11949 | CN-3/8-PK-6 | |


Ordering data – Barbed fitting CRCN


| | Pneumatic connection, port 1 | Pneumatic connection, port 2 | Nominal size | Product weight | Part no. | Type | |
|--|------------------------------|-------------------------------------|--------------|----------------|----------|---------------|---------------|
|  | Male thread M5 | For tubing outer diameter of 3 mm | 1.5 mm | 1.8 g | 30985 | CRCN-M5-PK-2 | |
| | | For tubing outside diameter of 4 mm | 2.5 mm | 1.74 g | 13967 | CRCN-M5-PK-3 | |
| | | For tubing outside diameter of 6 mm | | 2.58 g | 13968 | CRCN-M5-PK-4 | |
| | Male thread G1/8 | For tubing outside diameter of 4 mm | 3.2 mm | 7.52 g | 13969 | CRCN-1/8-PK-3 | |
| | | For tubing outside diameter of 6 mm | | | 7.86 g | 13970 | CRCN-1/8-PK-4 |
| | | For tubing outside diameter of 8 mm | | | 7.5 g | 13971 | CRCN-1/8-PK-6 |
| | Male thread G1/4 | For tubing outside diameter of 6 mm | 5.3 mm | 17.73 g | 13972 | CRCN-1/4-PK-4 | |
| | | For tubing outside diameter of 8 mm | | | 16.5 g | 13973 | CRCN-1/4-PK-6 |

Ordering data

| Ordering data – Barbed fitting CRCN | | | | | | |
|---|------------------------------|-------------------------------------|--------------|----------------|----------|---------------|
| | Pneumatic connection, port 1 | Pneumatic connection, port 2 | Nominal size | Product weight | Part no. | Type |
|  | Male thread G3/8 | For tubing outside diameter of 8 mm | 5.3 mm | 23.7 g | 13974 | CRCN-3/8-PK-6 |


| Ordering data – Barbed bulkhead connector SCN | | | | | |
|---|-------------------------------------|--------------|----------|----------|--|
| | Pneumatic connection, port 1 | Nominal size | Part no. | Type | |
|  | For tubing outside diameter of 3 mm | 1.5 mm | 19528 | SCN-PK-2 | |
| | For tubing outer diameter of 4 mm | 1.9 mm | 11972 | SCN-PK-3 | |
| | For tubing outside diameter of 6 mm | 2.8 mm | 11973 | SCN-PK-4 | |
| | For tubing outer diameter of 8 mm | 4.8 mm | 11974 | SCN-PK-6 | |

| Ordering data – Barbed tubing connector RTU | | | | | |
|--|-------------------------------------|-------------------------------------|-------------------------------------|----------|---------------|
| | Pneumatic connection, port 1 | Pneumatic connection, port 2 | Nominal size | Part no. | Type |
|  | For tubing outside diameter of 3 mm | | 1.5 mm | 19541 | RTU-PK-2/2-B |
| | For tubing outer diameter of 4 mm | | | 10884 | RTU-PK-1/8"-3 |
| | For tubing outside diameter of 6 mm | For tubing outer diameter of 3 mm | 1.5 mm | 19542 | RTU-PK-2/3 |
| | | | For tubing outside diameter of 4 mm | 2.5 mm | 4805 |
| | | For tubing outside diameter of 6 mm | For tubing outside diameter of 6 mm | 3.4 mm | 4806 |
| | For tubing outer diameter of 8 mm | | 5.3 mm | 7605 | RTU-PK-6/6 |
| | | For tubing outside diameter of 6 mm | 3.4 mm | 7604 | RTU-PK-4/6 |

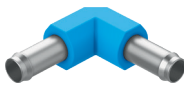
| Ordering data – Barbed elbow fitting LCN | | | | | |
|---|------------------------------|-------------------------------------|--------------|----------|---------------|
| | Pneumatic connection, port 1 | Pneumatic connection, port 2 | Nominal size | Part no. | Type |
|  | Male thread M3 | For tubing outer diameter of 3 mm | 1.3 mm | 30491 | LCN-M3-PK-2-B |
| | | For tubing outside diameter of 4 mm | 2 mm | 30982 | LCN-M3-PK-3 |
| | Male thread M5 | For tubing outer diameter of 3 mm | 1.3 mm | 19523 | LCN-M5-PK-2 |
| | | For tubing outside diameter of 4 mm | 2 mm | 12257 | LCN-M5-PK-3 |
| | | For tubing outside diameter of 6 mm | 2.9 mm | 12258 | LCN-M5-PK-4 |
| | Male thread G1/8 | For tubing outside diameter of 4 mm | 2 mm | 11955 | LCN-1/8-PK-3 |
| | | For tubing outside diameter of 6 mm | 2.9 mm | 11956 | LCN-1/8-PK-4 |
| | | For tubing outside diameter of 8 mm | 4.9 mm | 11957 | LCN-1/8-PK-6 |
| | Male thread G1/4 | For tubing outside diameter of 6 mm | 2.9 mm | 12958 | LCN-1/4-PK-4 |
| | | For tubing outside diameter of 8 mm | 4.9 mm | 12959 | LCN-1/4-PK-6 |
| | Male thread G3/8 | | | | 12960 |

Ordering data


Ordering data – Barbed elbow fitting LCNH

| | Pneumatic connection, port 1 | Pneumatic connection, port 2 | Nominal size | Part no. | Type |
|--|------------------------------|-------------------------------------|--------------|----------|---------------|
|  | Male thread M5 | For tubing outer diameter of 3 mm | 1.3 mm | 35982 | LCNH-M5-PK-2 |
| | | For tubing outside diameter of 4 mm | 2 mm | 35983 | LCNH-M5-PK-3 |
| | | For tubing outside diameter of 6 mm | 2.9 mm | 35984 | LCNH-M5-PK-4 |
| | Male thread G1/8 | For tubing outside diameter of 4 mm | 2 mm | 35985 | LCNH-1/8-PK-3 |
| | | For tubing outside diameter of 6 mm | 2.9 mm | 35986 | LCNH-1/8-PK-4 |
| | | For tubing outside diameter of 8 mm | 4.9 mm | 35987 | LCNH-1/8-PK-6 |
| | Male thread G1/4 | For tubing outside diameter of 6 mm | 2.9 mm | 35988 | LCNH-1/4-PK-4 |
| | | For tubing outside diameter of 8 mm | 4.9 mm | 35989 | LCNH-1/4-PK-6 |
| | Male thread G3/8 | For tubing outside diameter of 8 mm | | 35990 | LCNH-3/8-PK-6 |

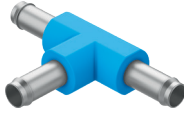
Ordering data – Barbed L-connector L-PK

| | Pneumatic connection, port 1 | Nominal size | Part no. | Type |
|---|-------------------------------------|--------------|----------|--------|
|  | For tubing outside diameter of 3 mm | 1.5 mm | 19539 | L-PK-2 |
| | For tubing outer diameter of 4 mm | 2.5 mm | 7473 | L-PK-3 |
| | For tubing outside diameter of 6 mm | 3.4 mm | 9584 | L-PK-4 |
| | For tubing outer diameter of 8 mm | 5.3 mm | 150012 | L-PK-6 |

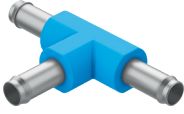
Ordering data – Barbed T-fitting TCN


| | Pneumatic connection, port 1 | Pneumatic connection, port 2 | Nominal size | Part no. | Type |
|--|------------------------------|-------------------------------------|--------------|----------|--------------|
|  | Male thread M3 | For tubing outer diameter of 3 mm | 1.3 mm | 30492 | TCN-M3-PK-2 |
| | | For tubing outside diameter of 4 mm | 2 mm | 30983 | TCN-M3-PK-3 |
| | Male thread M5 | For tubing outer diameter of 3 mm | 1.3 mm | 19525 | TCN-M5-PK-2 |
| | | For tubing outside diameter of 4 mm | 2 mm | 12259 | TCN-M5-PK-3 |
| | | For tubing outside diameter of 6 mm | 2.9 mm | 12432 | TCN-M5-PK-4 |
| | Male thread G1/8 | For tubing outside diameter of 4 mm | 2 mm | 11961 | TCN-1/8-PK-3 |
| | | For tubing outside diameter of 6 mm | 2.9 mm | 11962 | TCN-1/8-PK-4 |
| | | For tubing outside diameter of 8 mm | 4.9 mm | 11963 | TCN-1/8-PK-6 |
| | Male thread G1/4 | For tubing outside diameter of 6 mm | 2.9 mm | 11964 | TCN-1/4-PK-4 |
| | | For tubing outside diameter of 8 mm | 4.9 mm | 11965 | TCN-1/4-PK-6 |
| | Male thread G3/8 | For tubing outside diameter of 8 mm | | 11966 | TCN-3/8-PK-6 |

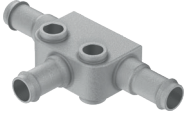
Ordering data – Barbed T-connector T-PK

| | Pneumatic connection, port 1 | Nominal size | Part no. | Type |
|--|-------------------------------------|--------------|----------|--------|
|  | For tubing outside diameter of 3 mm | 1.5 mm | 30919 | T-PK-2 |

Ordering data

| Ordering data – Barbed T-connector T-PK | | | | |
|---|-------------------------------------|--------------|---------------|---------------|
| | Pneumatic connection, port 1 | Nominal size | Part no. | Type |
|  | For tubing outer diameter of 4 mm | 2.5 mm | 7267 | T-PK-3 |
| | For tubing outside diameter of 6 mm | 3.4 mm | 9585 | T-PK-4 |
| | For tubing outer diameter of 8 mm | 5.3 mm | 150015 | T-PK-6 |

| Ordering data – Barbed Y-connector Y-PK | | | | |
|---|-------------------------------------|--------------|---------------|---------------|
| | Pneumatic connection, port 1 | Nominal size | Part no. | Type |
|  | For tubing outside diameter of 3 mm | 1.5 mm | 19540 | Y-PK-2 |
| | For tubing outer diameter of 4 mm | 2.5 mm | 7269 | Y-PK-3 |
| | For tubing outside diameter of 6 mm | 3.4 mm | 9586 | Y-PK-4 |
| | For tubing outer diameter of 8 mm | 5.3 mm | 150013 | Y-PK-6 |

| Ordering data – Barbed T-connector FCN | | | | | |
|--|-------------------------------------|-------------------------------------|--------------|--------------|----------------------|
| | Pneumatic connection, port 1 | Pneumatic connection, port 2 | Nominal size | Part no. | Type |
|  | For tubing outside diameter of 3 mm | | 1.3 mm | 19527 | FCN- 3-PK-2 B |
| | | For tubing outside diameter of 4 mm | | 31314 | FCN-3-PK-3/2 |
| | For tubing outer diameter of 4 mm | | 2 mm | 14768 | FCN-3-PK-3 |
| | | For tubing outside diameter of 6 mm | | 31315 | FCN-3-PK-4/3 |
| | For tubing outside diameter of 6 mm | | 2.9 mm | 14769 | FCN-3-PK-4 |
| | | For tubing outside diameter of 8 mm | | 31316 | FCN-3-PK-6/4 |
| | For tubing outer diameter of 8 mm | | 4.9 mm | 14770 | FCN-3-PK-6 |