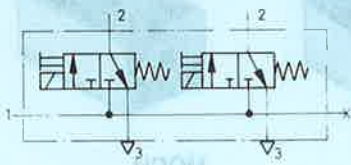
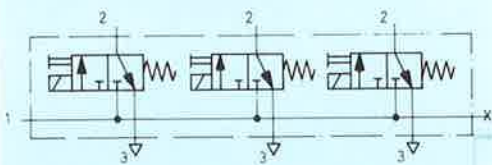


Multiple single solenoid valves, spring return with manual override

Two 3/2-way valves in manifold version:
Type BMCH-2-3-1/8



Three 3/2-way valves in manifold version:
Type BMCH-3-3-1/8



When the solenoid is energized, the valve is actuated and remains actuated until the solenoid is deenergized. The valve manifolds may be interconnected by means of manifolds connector Type BX-1/8

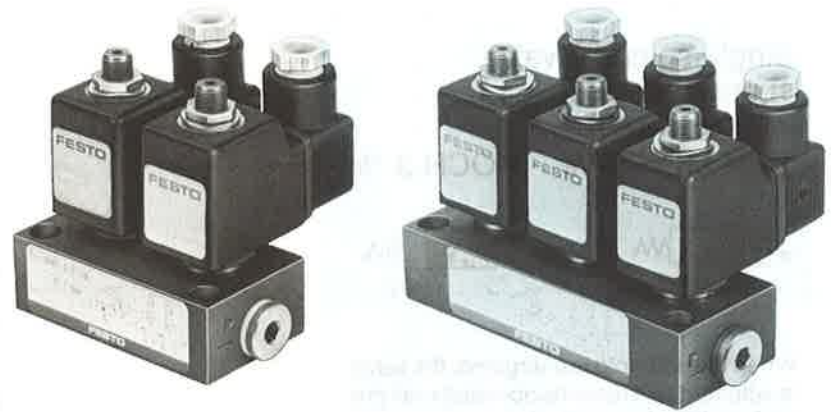
The solenoid valve manifolds cannot be used with explosion-proof solenoid coils.

Accessories:

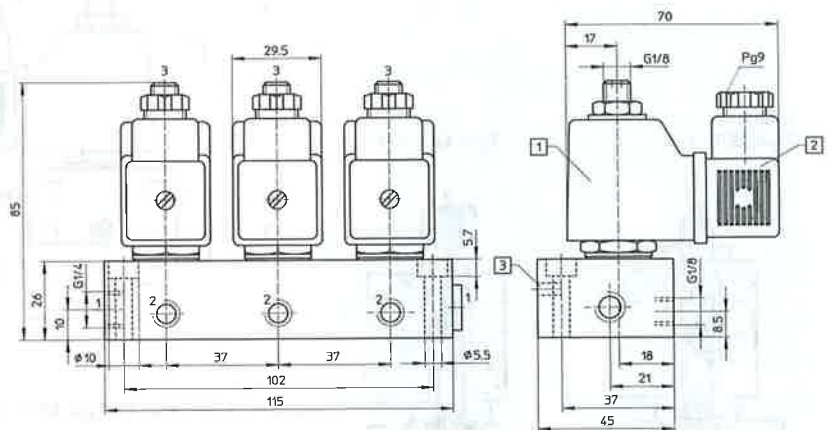
For sockets and accessories, see sheets 2.594 to 2.598.

Manifold connector:

Order code 2018 BX-1/8



Type BMCH-2-3-1/8 (dimensions in brackets)
BMCH-3-3-1/8



- ① Solenoid coil can be rotated
- ② Plug can be repositioned by 90°
- ③ Manual override

- 1 (P) = Supply port
- 2 (A) = Working or outlet line
- 3 (R) = Exhaust

Order code Part No./Type	with socket	6686 BMCH-2-3-1/8 + voltage data	6687 BMCH-3-3-1/8 + voltage data
	without socket	Order example: 6686 BMCH-2-3-1/8 + voltage data - OD	
Medium		Compressed air, filtered (lubricated or unlubricated) or vacuum*	
Design		Poppet valve, directly actuated in one direction, with return spring	
Mounting		Through-holes in housing	
Connection		P: G 1/4; A, R: G 1/8	
Nominal size		2.5 mm	
Standard nominal flow rate (P → A)		160 l/min	
Pressure range		0 to 7 bar	
Response time at 6 bar		On: 12 ms, Off: 13 ms	
Ambient temperature		- 5 to + 40 °C	
Medium temperature		- 10 to + 60 °C	
Materials		Housing: blue-anodized aluminium; seals: Perbunan	
Weight		0.680 kg	1.010 kg
DC	Standard voltages	12, 24 V	
AC	Special voltages	12 to 220 V	
	Standard voltages	24, 42, 110, 220 V/50 Hz	
	Special voltages	24 to 380 V/50 or 60 Hz	
		} Solenoid coils, see sheets 2.592, 2.592.1	
Power consumption		DC: 12 W, AC: hold 22 VA, pull 30 VA	
Duty cycle		100%	
Degree of protection		IP 65 (DIN 40050)	

* Vacuum connected to P