

Round cylinders EG

FESTO



Characteristics and type codes

Characteristics

Pneumatic cylinders in miniature design

- The slim design makes these cylinders especially suitable for compact assemblies, e.g. in testing systems for keyboards or mobile phones
- Single-acting
- Low mass: 2 to 24 g
- Ready for installation
- Corrosion-resistant
- Barbed fitting for standard I.D. plastic tubing

Type codes

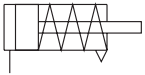
001	Series
EG	Round cylinder, single-acting

002	Piston diameter
2.5	2.5
4	4
6	6

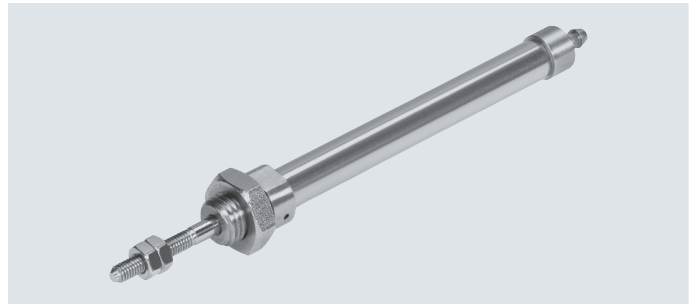
003	Stroke
5	5
10	10
15	15
20	20
25	25

004	Pneumatic connection
PK-2	
PK-3	

Data sheet



- \varnothing - Diameter
2.5 ... 6 mm
- l - Stroke length
5 ... 25 mm



Technical data												
Piston diameter	2.5				4				6			
Stroke [mm]	5	10	5	10	15	20	5	10	15	20	25	
Design	Piston											
	Cylinder barrel											
	Piston rod at one end											
Mode of operation	Single-acting, pushing											
Pneumatic connection	PK-2						PK-3					
Type of mounting	With lock nut											
Piston rod thread	\varnothing 1				M2				M3			
Cushioning	No cushioning						At one end, non-adjustable					
Position sensing	Without											
Mounting position	Any											
Product weight [g]	2	2	4	5	5	6	19	20	20	23	24	

Operating and environmental conditions												
Piston diameter	2.5				4				6			
Operating pressure [bar]	3.5 ... 7						3 ... 7					
Operating medium	Compressed air to ISO 8573-1:2010 [7:-:-]											
Ambient temperature [°C]	+5 ... +60											
Corrosion resistance CRC ¹⁾	2											

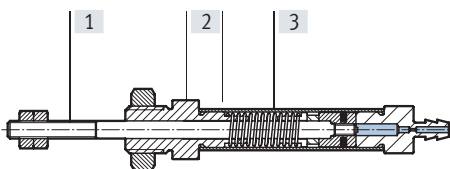
1) Corrosion resistance class CRC 2 to Festo standard FN 940070

Moderate corrosion stress. Indoor applications in which condensation can occur. External visible parts with primarily decorative surface requirements which are in direct contact with a normal industrial environment.

Forces [N]												
Piston diameter	2.5				4				6			
Stroke [mm]	5	10	5	10	15	20	5	10	15	20	25	
Theoretical force at 6 bar, advancing	1.9		4.8		4.7	4.9	4.9	11.8				
Theoretical spring return force												
Min.	0.5		1.5	1.7	1.8	1.5	4.1	3.1	2.0	3.1	2.5	
Max.	1.0		2.7	2.8	2.6	5.2						

Materials

Sectional view



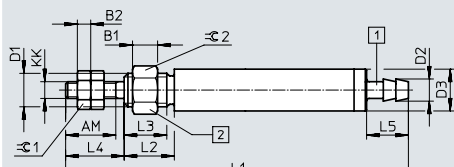
Materials			
Piston diameter	2.5	4	6
[1] Piston rod	High-alloy steel		
[2] Cover	High-alloy steel		
[3] Cylinder barrel	Nickel-plated brass		High-alloy steel
- Seals	Nitrile rubber	Thermoplastic polyurethane elastomer	Nitrile rubber
Note on materials	RoHS-compliant		

Data sheet

Dimensions

Download CAD data → www.festo.com

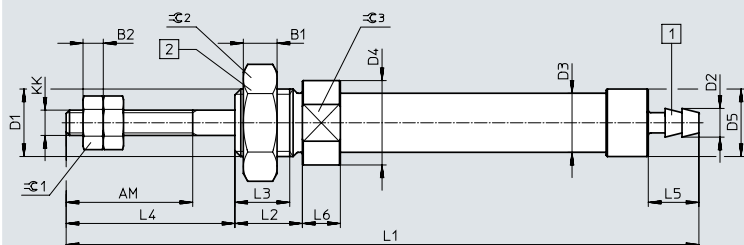
EG-2.5/-4



- [1] Barbed fitting for standard I.D. plastic tubing NW
- [2] Tightening torque
EG-2.5: 0.25 Nm
EG-4: 0.85 Nm

Type	AM	B1	B2	D1	D2 ∅	D3 ∅	KK	L1	L2	L3	L4	L5	≈G1	≈G2
EG-2.5-5-PK-2	-	1.6	-	M2.5	2.65	3.5	∅1	29	3.5	3	1.5	5	-	4
EG-2.5-10-PK-2								38						
EG-4-5-PK-2	6	3	1.6	M4	2.65	5	M2	41	6	5	7	5	4	5
EG-4-10-PK-2								50						
EG-4-15-PK-2								59						
EG-4-20-PK-2								64						

EG-6




- [1] Barbed fitting for standard I.D. plastic tubing NW 3
- [2] Tightening torque
EG-6: 8.5 Nm

Type	AM	B1	B2	D1	D2 ∅	D3 ∅	D4 ∅	D5 ∅	KK	L1	L2	L3	L4	L5	L6	≈G1	≈G2	≈G3
EG-6-5-PK-3	15	4	2.4	M8x1	3.4	7	10	8	M3	75	8	6.5	20	6	4.5	5.5	12	9
EG-6-10-PK-3										80								
EG-6-15-PK-3										85								
EG-6-20-PK-3										102								
EG-6-25-PK-3										107								

Ordering data

	Piston diameter	Stroke [mm]	Part no.	Type
	2.5	5	15883	EG-2.5-5-PK-2
		10	15884	EG-2.5-10-PK-2
	4	5	15885	EG-4-5-PK-2
		10	15886	EG-4-10-PK-2
		15	15887	EG-4-15-PK-2
		20	15888	EG-4-20-PK-2
	6	5	15891	EG-6-5-PK-3
		10	15892	EG-6-10-PK-3
		15	15893	EG-6-15-PK-3
		20	15894	EG-6-20-PK-3
25		15895	EG-6-25-PK-3	

Accessories

Ordering data – Plastic tubing						
	For type	Description	Colour	Part no.	Type	PE ¹⁾ [m]
	EG-2.5 and EG-4	Highly flexible plastic tubing Suitable for energy chains Material: TPE-U (PU)	Blue	159660	PUN-3x0.5-BL	50
			Blue	525745	PUN-3x0.5-BL-500	500
			Yellow	178416	PUN-3x0.5-GE	50
			Green	178423	PUN-3x0.5-GN	50
			Red	178409	PUN-3x0.5-RT	50
			Silver	152583	PUN-3x0.5-SI	50
			Silver	525738	PUN-3x0.5-SI-500	500
			Black	159661	PUN-3x0.5-SW	50
			Black	553936	PUN-3x0.5-SW-500	500
			EG-6	Highly flexible plastic tubing Suitable for energy chains Material: TPE-U (PU)	Blue	159662
	Blue	525746			PUN-4x0.75-BL-500	500
	Yellow	178417			PUN-4x0.75-GE	50
	Green	178424			PUN-4x0.75-GN	50
	Red	178410			PUN-4x0.75-RT	50
	Silver	152584			PUN-4x0.75-SI	50
	Silver	525739			PUN-4x0.75-SI-500	500
	Black	159663			PUN-4x0.75-SW	50
	Black	553937			PUN-4x0.75-SW-500	500

1) Packaging unit

Festo - Your Partner in Automation



1 Festo Inc.
5300 Explorer Drive
Mississauga, ON L4W 5G4
Canada

Festo Customer Interaction Center
Tel: 1 877 463 3786
Fax: 1 877 393 3786
Email: customer.service.ca@festo.com



2 Festo Pneumatic
Av. Ceylán 3,
Col. Tequesquináhuac
54020 Tlalnepantla,
Estado de México

Multinational Contact Center
01 800 337 8669
ventas.mexico@festo.com



3 Festo Corporation
1377 Motor Parkway
Suite 310
Islandia, NY 11749

Festo Customer Interaction Center
1 800 993 3786
1 800 963 3786
customer.service.us@festo.com



4 Regional Service Center
7777 Columbia Road
Mason, OH 45040

Connect with us



www.festo.com/socialmedia



www.festo.com

Subject to change