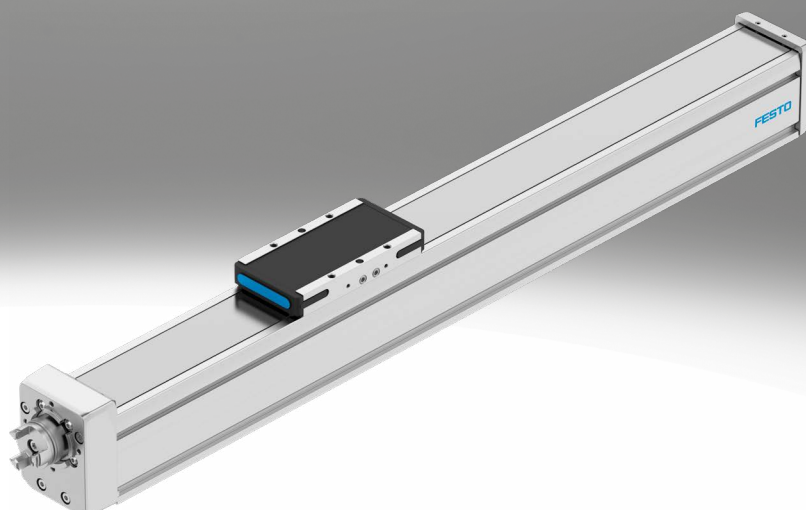


Spindle axes ELGD-BS

FESTO



Key features

At a glance

ELGD-BS (standard design)

- Profile with a square cross section and sturdy drive elements for high feed forces

ELGD-BS-WD (wide design)

- Reduced profile height offers smaller installation dimensions for handling systems and applications that do not require such high feed forces
- 30% lighter, while rigidity and guide load capacity are still similar to the axis in standard design

Innovative guide technology

- Excellent rigidity and load capacity of the guide for higher loads in the same installation space
- Less vibration and smoother slide movement protect sensitive workpieces
- High speeds ensure short cycle times and a very long service life minimises downtime

Powerful drive elements

- High feed forces and acceleration for shorter process times
- Long service life and increased reliability reduce TCO

Innovative stainless steel cover strip solution

- Abrasion-free and clean surface protects workpieces from particles
- Minimised number of particles for use in cleanrooms
- Reduced ingress of dirt for use in harsh ambient conditions

Optional:

- Extended or additional slide for higher axial and lateral torques and higher loads

Sealing air connection:

- Air is exchanged between the interior of the cylinder and the environment via the sealing air connection. This prevents negative pressure or excess pressure from building up inside the cylinder.
- Application of slight negative pressure prevents the emission of particles
- Application of slight excess pressure prevents the ingress of particles

Engineering tools

More information → [electric-motion-sizing](#)



Save time with smart engineering tools for the optimal solution. Our goal is to increase your productivity. Our engineering tools play an integral part in this. They help you size your system correctly, tap into unimagined productivity reserves and generate additional productivity along the entire value chain. In every phase of your project, from the initial contact to the modernisation of your machine, you will come across a number of different tools which will be of use to you.

Electric Motion Sizing

- Create the optimum drive package quickly and reliably. Electric Motion Sizing calculates suitable combinations of electric axis, electric motor and servo drive using just a few application details. It provides all the relevant data including the bill of materials and documentation for your selected combination. This avoids design errors and results in significantly improved energy efficiency for the system. A seamless connection to the Festo Automation Suite also makes commissioning easier for you.

Icons

More information → [elgd-bs](#)



The icons shown in this document are also available online. There, precise values can be displayed.

Key features

Drive system

[BS] Ball screw

- For applications requiring precision
- Extremely reliable and long service life
- For high loads

Stroke reserve

- The stroke reserve is a safety distance from the mechanical end position and is not used in normal operation.
- The sum of the stroke length and 2x stroke reserve must not exceed the maximum working stroke.

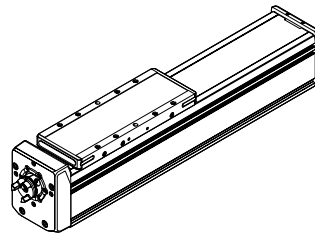
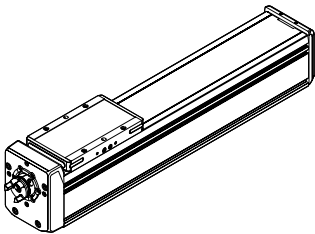
Spindle pitch

- The spindle pitch describes the distance travelled by the spindle nut per revolution of the spindle in millimetres.
- Thanks to the different spindle pitches, it is possible to choose the smallest possible motor for the required speed and feed force.

Slide design

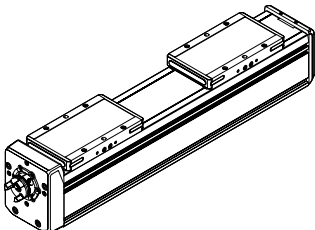
[] Standard

[L] Long



Additional slide

[ZR] Right



- The additional slide is currently only available on the right (the side away from the motor)
- The additional slide is always a standard slide

Lubrication

[] Standard

[GN] Lubrication nipple

With lifetime lubrication. Lubrication nipple not included in delivery.

- The lubrication adapters enable the guide to be permanently lubricated using semi- or fully automatic relubrication devices
- The adapters are suitable for oils and greases

Type codes

001	Series
ELGD	Gantry axis
002	Drive system
BS	Ball screw drive
003	Guide
KF	Recirculating ball bearing guide
004	Size
60	60
80	80
005	Stroke [mm]
100	100
200	200
300	300
400	400
500	500
600	600
800	800
1000	1000
...	50 ... 2000

006	Stroke reserve
OH	None
...H	0 ... 999 mm
007	Spindle pitch
5P	5 mm
10P	10 mm
20P	20 mm
008	Slide design
	Standard
L	Slide, long
009	Additional slide
	None
ZR	1 slide right
010	Lubrication
	Standard
GN	Lubrication nipple

Datasheet

General technical data						
Size		60		80		
Spindle pitch	[mm/rev]	5	10	5	10	20
Design		Electromechanical axis with ball screw				
Guide		Recirculating ball bearing guide				
Mounting position		Any				
Working stroke	[mm]	50 ... 1000		50 ... 2000		
Max. feed force F_x						
With axial kit	[N]	1550	1550	2650	2650	2650
With parallel kit	[N]	1550	1550	2650	2650	1700
No-load torque at low travel speed	[Nm]	0.089	0.092	0.127	0.127	0.147
	[m/s]	0.05	0.05	0.05	0.05	0.1
No-load torque at maximum travel speed	[Nm]	0.209	0.27	0.37	0.35	0.425
	[m/s]	0.25	0.5	0.25	0.5	1
Max. radial force ¹⁾	[N]	230	230	500	500	180
Max. rotational speed ²⁾	[rpm]	6667	6667	5000	5000	5000
Max. speed	[m/s]	0.56	1.11	0.42	0.83	1.67
Max. acceleration	[m/s ²]	15				
Repetition accuracy	[mm]	±0.01				
Reversing backlash	[mm]	0.15				
Position sensing		Via proximity switch				

1) At the drive shaft

2) Rotational speed and velocity are stroke-dependent

Operating and environmental conditions		
Ambient temperature ¹⁾	[°C]	0 ... +60
Degree of protection		IP30
Duty cycle	[%]	100
Maintenance interval		Lifetime lubrication

1) Note operating range of proximity switches

Weight [g]				
Size		60		80
Slide design			L	L
Basic weight with 0 mm stroke ¹⁾		1774	2286	3147
Additional weight per 10 mm stroke		54	54	90
Moving mass		555	810	990
				1671

1) Including slide

Spindle				
Size		60		80
Diameter	[mm]	12		16
Pitch	[mm/rev]	5/10		5/10/20

Datasheet

Mass moment of inertia					
Size		60			
Spindle pitch	[mm/rev]	5		10	
Slide design			L		L
J_0	[kg mm ²]	6.350	6.995	6.350	6.995
J_H per metre stroke	[kg mm ² /m]	15.716	15.716	15.716	15.716
J_L per kg payload	[kg mm ² /kg]	0.633	0.633	2.533	2.533

Mass moment of inertia							
Size		80					
Spindle pitch	[mm/rev]	5		10		20	
Slide design			L		L		L
J_0	[kg mm ²]	10.619	13.662	10.619	13.662	10.619	13.662
J_H per metre stroke	[kg mm ² /m]	39.016	39.016	39.016	39.016	39.016	39.016
J_L per kg payload	[kg mm ² /kg]	0.633	0.633	2.533	2.533	0.101	0.101

The mass moment of inertia J_A of the entire axis is calculated as follows:

$$J_A = J_0 + J_H \times \text{working stroke [m]} + J_L \times m_{\text{payload [kg]}}$$

Homing

Homing can be carried out in two ways:

- Against a fixed stop
- Using a reference switch

The following values must be observed:

Size		60	80
Max. impact energy	[J]	1	2
Note on the impact energy in the end positions	[m/s]	At maximum homing speed of 0.01 m/s	

Materials

Axis	
Drive cover	Gravity die-cast aluminium, painted
Spindle nut	Steel
Spindle	Steel
Slide	Wrought aluminium alloy
Cover strip	High-alloy stainless steel
Guide	Steel
Profile	Anodised wrought aluminium alloy
Note on materials	RoHS-compliant
LABS (PWIS) conformity	VDMA24364 zone III

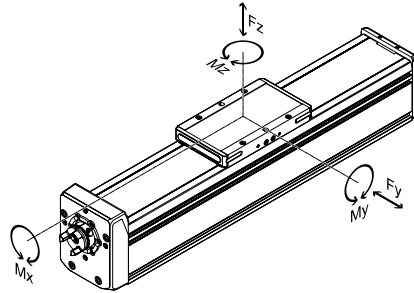
Datasheet

Load values

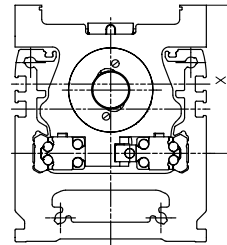
The indicated forces and torques refer to the centre of the guide. The point of application of force is the point where the centre of the guide and the longitudinal centre of the slide intersect.

The appropriate size is selected using the following three steps:

1. Check the maximum permissible values (must not be exceeded)
2. Calculate the load comparison factor
3. Determine the service life



Distance from the slide surface to the centre of the guide



Distance from the slide surface to the centre of the guide

Size	60	80
Dimension x [mm]	60	62

1. Check the maximum permissible values

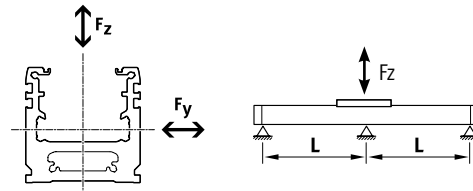
Max. permissible forces and torques for the overall axis (strength limits)

Size	60	80
Slide design		L
Max. force Fy, overall axis [N]	930	1650
Max. force Fz, overall axis [N]	1300	2750
Max. torque Mx, overall axis [Nm]	36	65
Max. torque My, overall axis [Nm]	15	85
Max. torque Mz, overall axis [Nm]	15	45

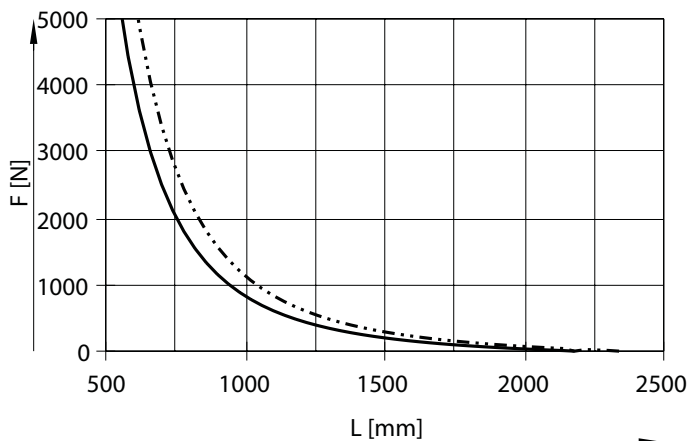
Maximum permissible support spacing L as a function of force F

The axis may need to be supported in order to limit deflection in the case of long strokes.

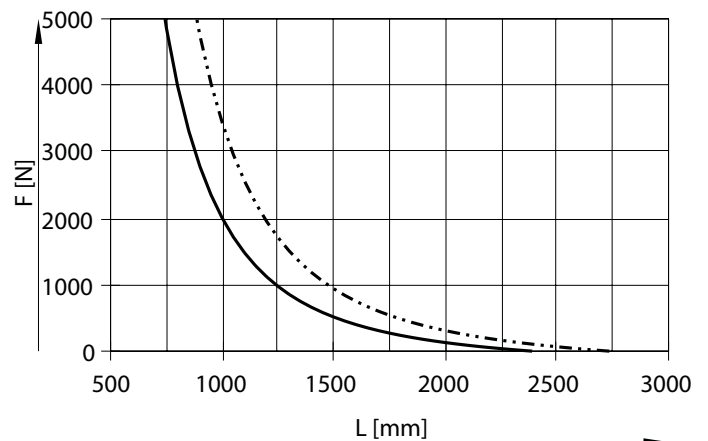
The following graphs can be used to determine the maximum permissible support spacing L as a function of force F acting on the axis. The deflection is $f = 0.5 \text{ mm}$.



Size 60



Size 80



— Fy
- - - Fz

— Fy
- - - Fz

Datasheet

2. Calculate the load comparison factor

Note
 For a guide system to have a service life of 5000 km, the load comparison factor must have a value of $f_v \leq 1$, based on the maximum permissible forces and torques for a service life of 5000 km.
 This formula can be used to calculate a guide value.
 The engineering software "Electric Motion Sizing" is available for more precise calculations → www.festo.com/x/electric-motion-sizing

If the axis is subjected to two or more of the indicated forces and torques at the same time, the following equation must be satisfied in addition to the indicated maximum loads:

Calculating the load comparison factor:

$$f_v = \frac{|F_{y1}|}{F_{y2}} + \frac{|F_{z1}|}{F_{z2}} + \frac{|M_{x1}|}{M_{x2}} + \frac{|M_{y1}|}{M_{y2}} + \frac{|M_{z1}|}{M_{z2}} \leq 1$$

F_1/M_1 = values occurring in the application

F_2 = permissible values at 5000 km from the graph "support spacing over load"

M_2 = maximum permissible values (see table)

Max. permissible torques for the guide calculation with reference service life

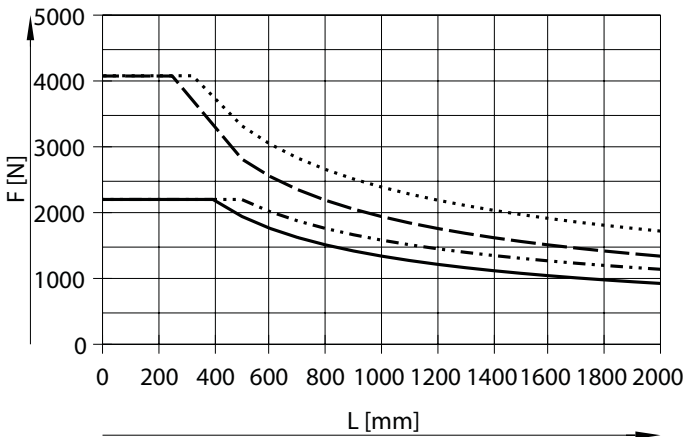
Size	60		80	
Slide design		L		L
Reference service life	[km]	5000		
Max. torque Mx	[Nm]	37	65	95
Max. torque My	[Nm]	15	141	42
Max. torque Mz	[Nm]	15	139	42

Maximum permissible support spacing L as a function of force F

Depending on how firmly the axis is supported, the maximum permissible forces vary due to the design of the guide system.

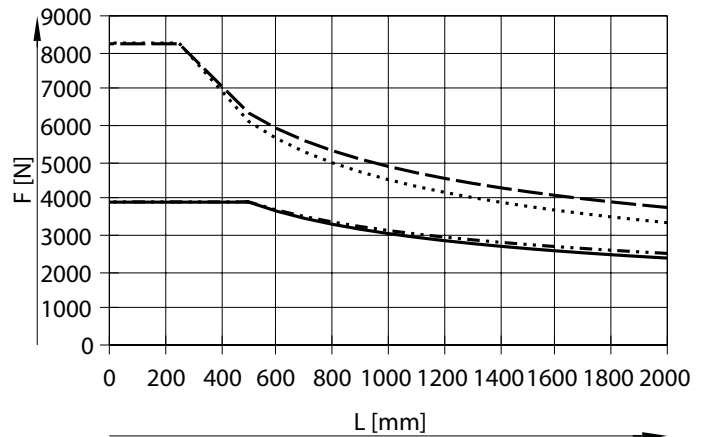
If the axis is used as a cantilever or in yoke operation, the values for a support spacing of 2000 mm can be selected.

Size 60



- Fy - ELGD-60
- - Fz - ELGD-60
- Fy - ELGD-60-L
- ... Fz - ELGD-60-L

Size 80



- Fy - ELGD-80
- - Fz - ELGD-80
- Fy - ELGD-80-L
- ... Fz - ELGD-80-L

Datasheet

3. Determine the service life

The service life of the guide depends on the load. To be able to provide an indication of the service life of the guide, the graph below plots the load comparison factor f_v against the service life.

These values are only theoretical. You must consult your local Festo contact for a load comparison factor f_v greater than 1.3.

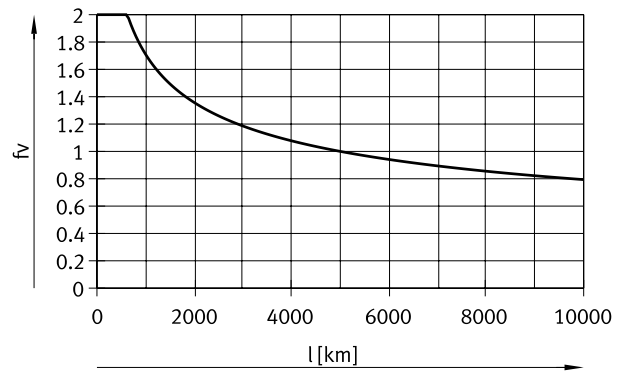
Load comparison factor f_v as a function of service life l

Example:

A user wants to move an x kg load. Using the formula (→ page 8) gives a value of 1.3 for the load comparison factor f_v . According to the graph, the guide would have a service life of approx. 2500 km. Reducing the acceleration reduces the M_z and M_y values. A load comparison factor f_v of 1 now gives a service life of 5000 km.

Note:

If the application has been calculated using “Electric Motion Sizing”, the average guide comparison index represents the workload of the guide. (100% average guide comparison index corresponds to $f_v = 1$). With this value, the service life can be estimated using the service life graph



Comparison of the characteristic load values for 100 km with dynamic forces and torques of recirculating ball bearing guides

The characteristic load values of the bearing guides are standardised to ISO and JIS using dynamic and static forces and torques. These forces and torques are based on an expected service life of the guide system of 100 km to ISO or 50 km to JIS.

As the characteristic load values are dependent on the service life, the maximum permissible forces and torques for a 5000 km service life cannot be compared with the dynamic forces and torques of bearing guides to ISO/JIS.

To make it easier to compare the guide capacity of linear axes ELGD with bearing guides, the table below lists the theoretically permissible forces and torques for a calculated service life of 100 km. This corresponds to the dynamic forces and torques to ISO.

These 100 km values have been calculated mathematically and are only to be used for comparing with dynamic forces and torques to ISO. The drives must not be loaded with these characteristic values as this could damage the axes.

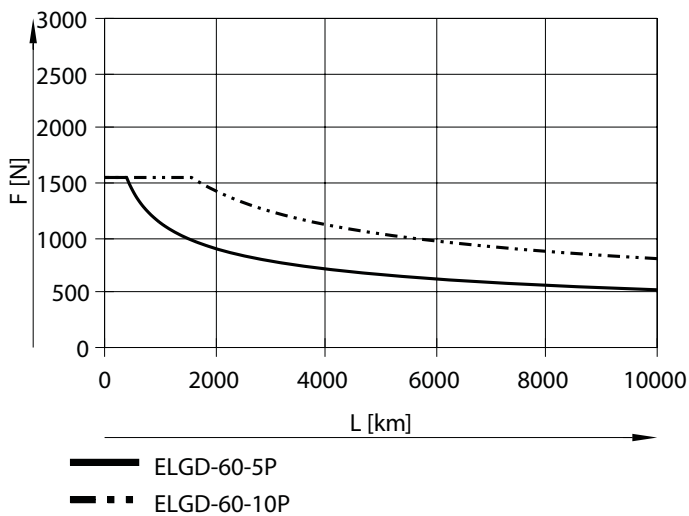
Max. permissible forces and torques for a theoretical service life of 100 km (from a guide perspective only)

Size	60		80	
		L		L
$F_{y_{max}}$ [N]	9208	18415	17576	35153
$F_{z_{max}}$ [N]	9208	18415	17576	35153
$M_{x_{max}}$ [Nm]	157	314	422	844
$M_{y_{max}}$ [Nm]	60	500	162	1356
$M_{z_{max}}$ [Nm]	60	500	162	1356

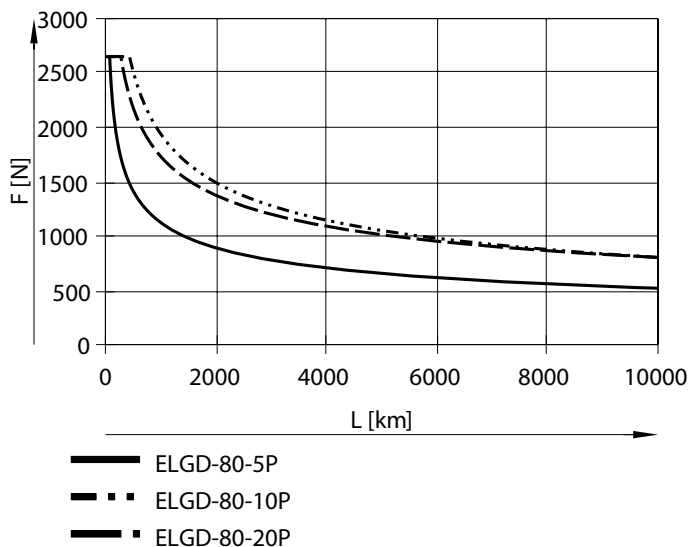
Datasheet

Feed force F as a function of running performance L

Size 60

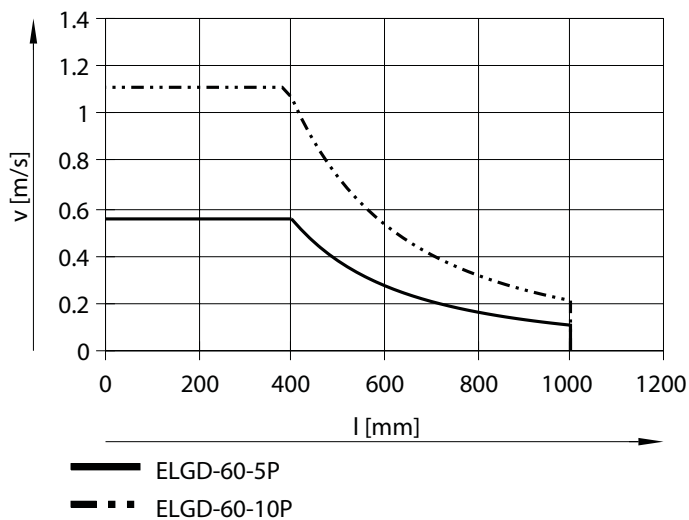


Size 80

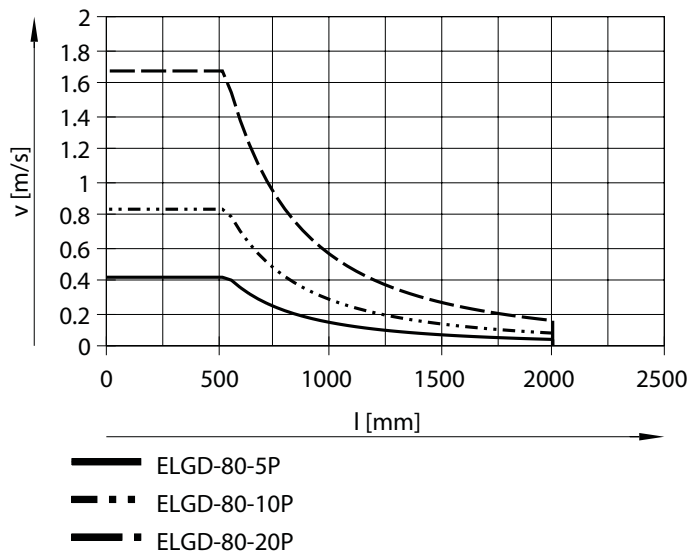


Speed v as a function of working stroke l

Size 60

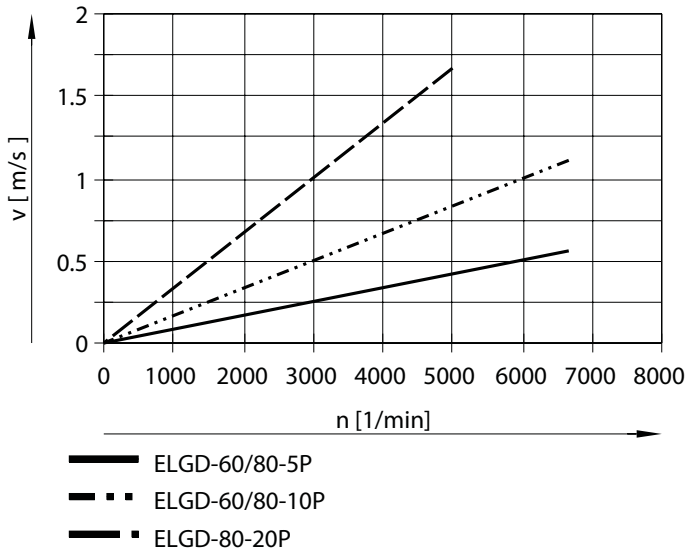


Size 80



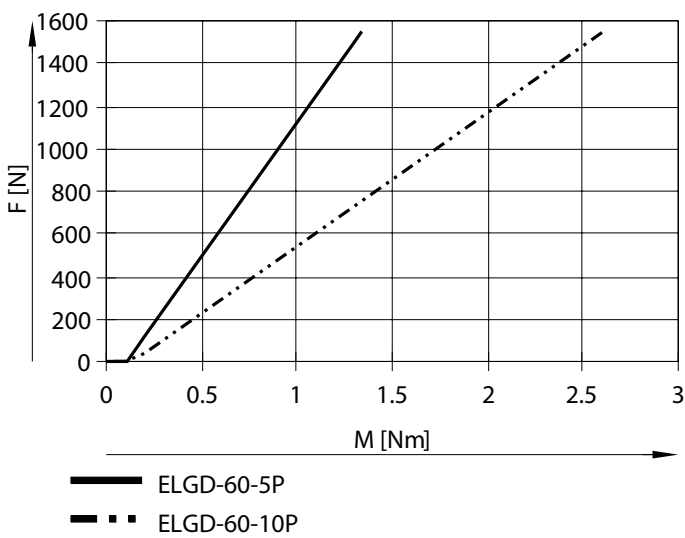
Datasheet

Speed v as a function of rotational speed n

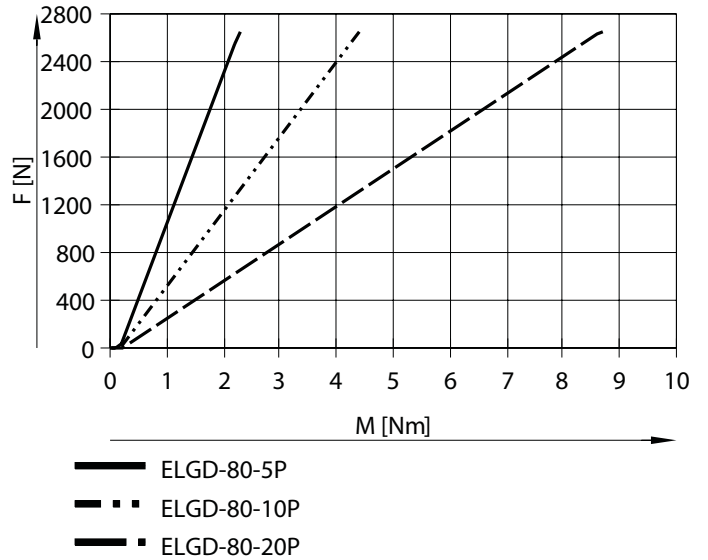


Feed force F as a function of input torque M

Size 60

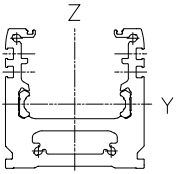


Size 80



Datasheet

2nd moment of area



Size		60	80
I_y	[mm ⁴]	0.509×10^6	1.213×10^6
I_z	[mm ⁴]	0.686×10^6	2.052×10^6

Recommended deflection limits

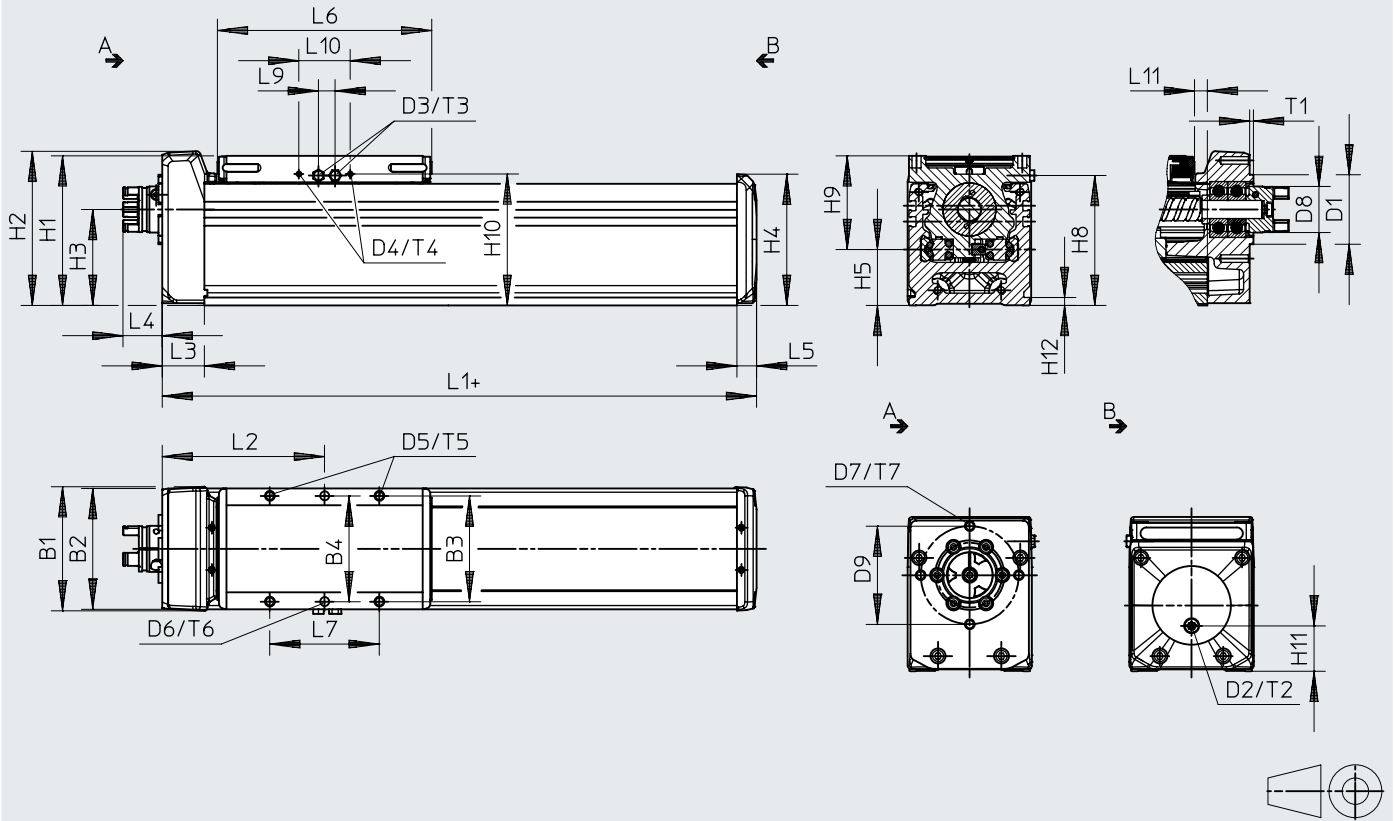
To avoid impairing the functionality of the axes, we recommend that the following deflection limits are observed. Greater deformation can result in increased friction, greater wear and reduced service life.

Size	Dynamic deflection (moving load)	Static deflection (stationary load)
60, 80	0.05% of the axis length, max. 0.5 mm	0.1% of the axis length

Datasheet

Dimensions – ELGD-BS-...

Download CAD data → www.festo.com



+ = plus stroke length + 2x stroke reserve

	B1	B2	B3	B4	D1 ∅ f7	D2	D3	D4	D5	D6 ∅ H7	D7	D8 ∅	D9 ∅	H1
ELGD-BS-60	62	60	52.5	52.5	±0.03	G1/8	M6	M3	M5	5	M4	30.5	48	82
ELGD-BS-80	82.2	80	70	70	±0.03	G1/8	M6	M3	M6	6	M6	30.5	65	99

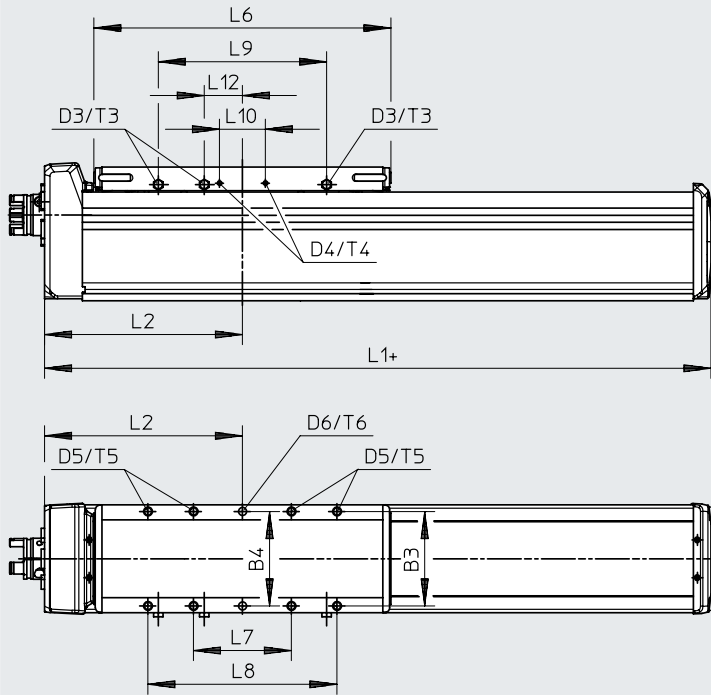
	H2	H3	H4	H5	H8	H9	H10	H11	H12	L1	L2	L3	L4	L5
ELGD-BS-60	79	49.4	69.9	22	70	60	71	23.4	5.3	170.5	95	26.5	26.9	15.5
ELGD-BS-80	102.2	63.5	86.9	37	86	62	87	30	5.3	193.5	108	28	25.9	13

	L6	L7 ±0.1	L9	L10	L11		T1	T2	T3	T4	T5	T6	T7
					min.	max.							
ELGD-BS-60	118	50	11.8	34	9	9.5	2.5	6	6	7	16.5	6	8
ELGD-BS-80	142	72.5	11	34	9	9.5	2.5	6	6	7	17.5	8	15

Datasheet

Dimensions – ELGD-BS-...L (with long slide)

Download CAD data → www.festo.com



+ = plus stroke length + 2x stroke reserve

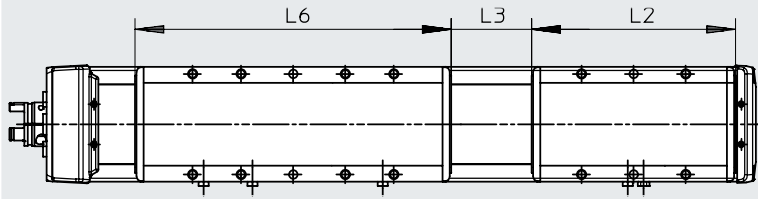
	B3	B4	D3	D4	D5	D6 ∅ H7	L1	L2 min.	L6
ELGD-BS-60-L	52.5	52.5 ±0.03	M6	M3	M5	5	211.5	116.5	159
ELGD-BS-80-L	70	70	M6	M3	M6	6	271.5	146.5	220

	L7	L8	L9	L10	L12	T3	T4	T5	T6
	±0.1	±0.1							±0.05
ELGD-BS-60-L	50	95	79	34	5.9	6	7	16.5	6
ELGD-BS-80-L	72.5	140	124.6	34	28.3	6	7	17.5	8

Datasheet

Dimensions – ELGD-BS-...-ZR (with additional slide)

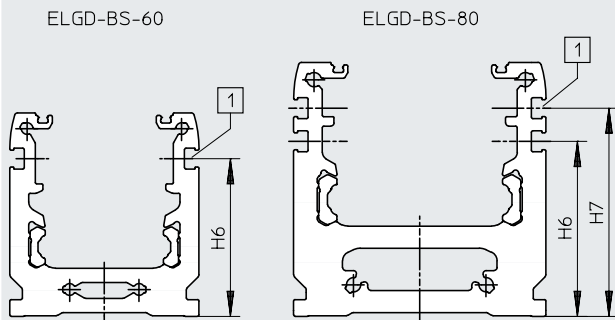
Download CAD data → www.festo.com



	L2	L3	L6
ELGD-BS-60	118	50	118
ELGD-BS-80	142	50	142
ELGD-BS-60-L	118	50	159
ELGD-BS-80-L	142	50	220

Dimensions – ELGD-BS-...- (profile)

Download CAD data → www.festo.com



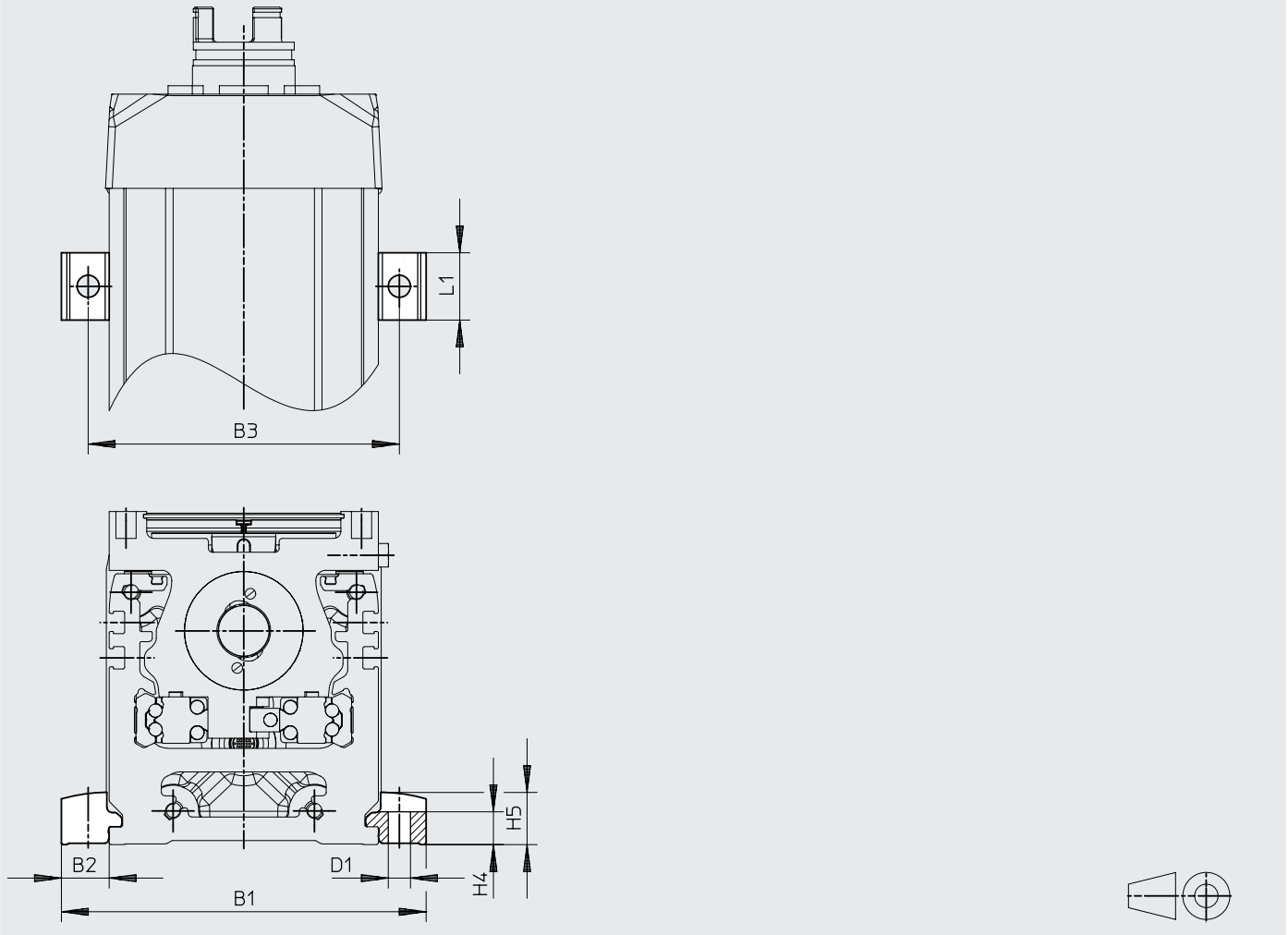
[1] Sensor slot for proximity switch

	H6	H7
ELGD-BS-60	50	–
ELGD-BS-80	55.5	66

Datasheet

Dimensions – Profile mounting EAHF-E24-60-P-S

Download CAD data → www.festo.com

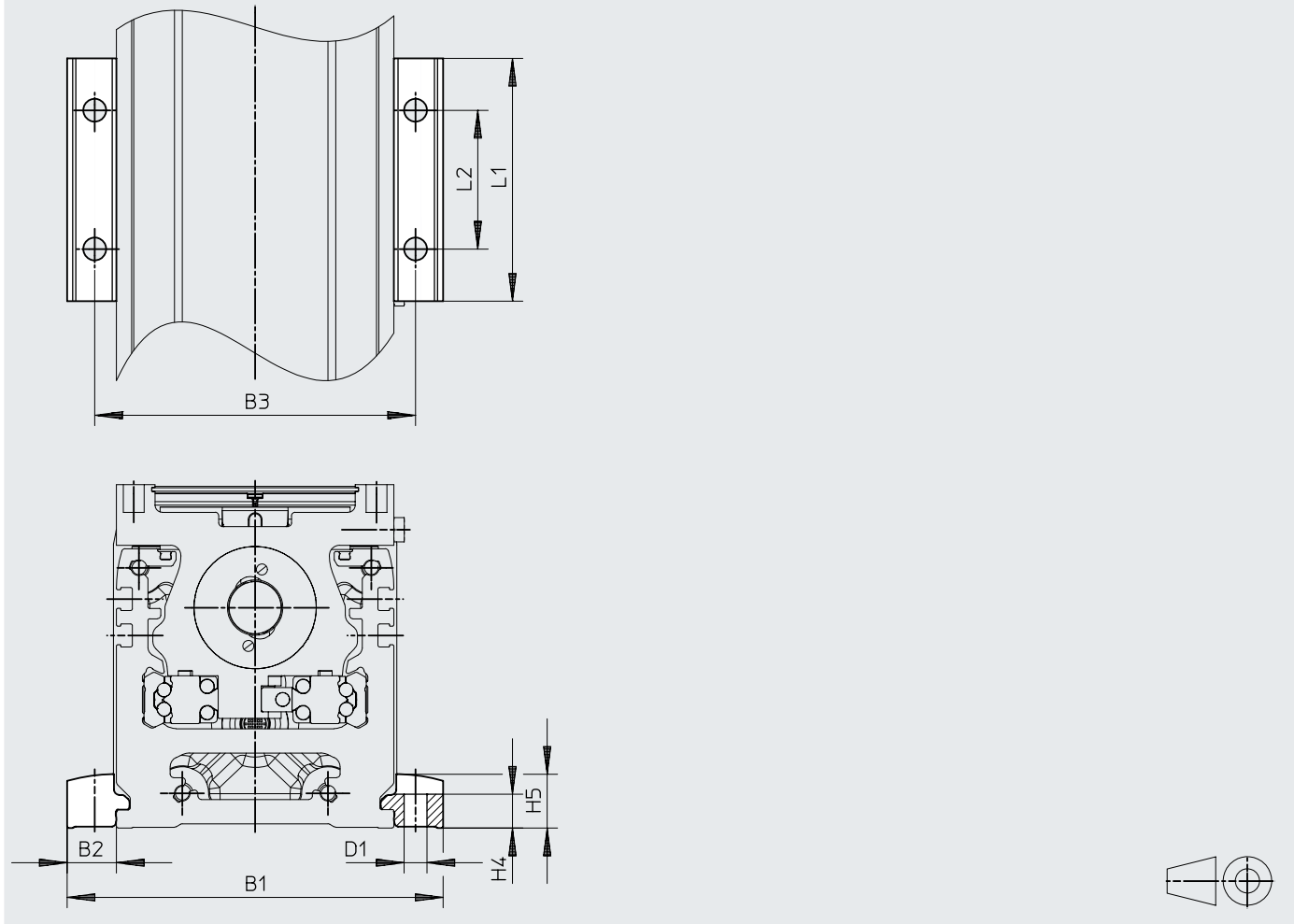


		B1	B2	B3	D1 ∅ H13	H4 ±0.1	H5	L1
EAHF-E24-60-P-S	ELGD-BS-60	88.4	14.2	72.5	6.6	9.8	15.5	20
	ELGD-BS-80	108.4	14.2	92.5	6.6	9.8	15.5	20

Datasheet

Dimensions – Profile mounting EAHF-E24-60-P

Download CAD data → www.festo.com

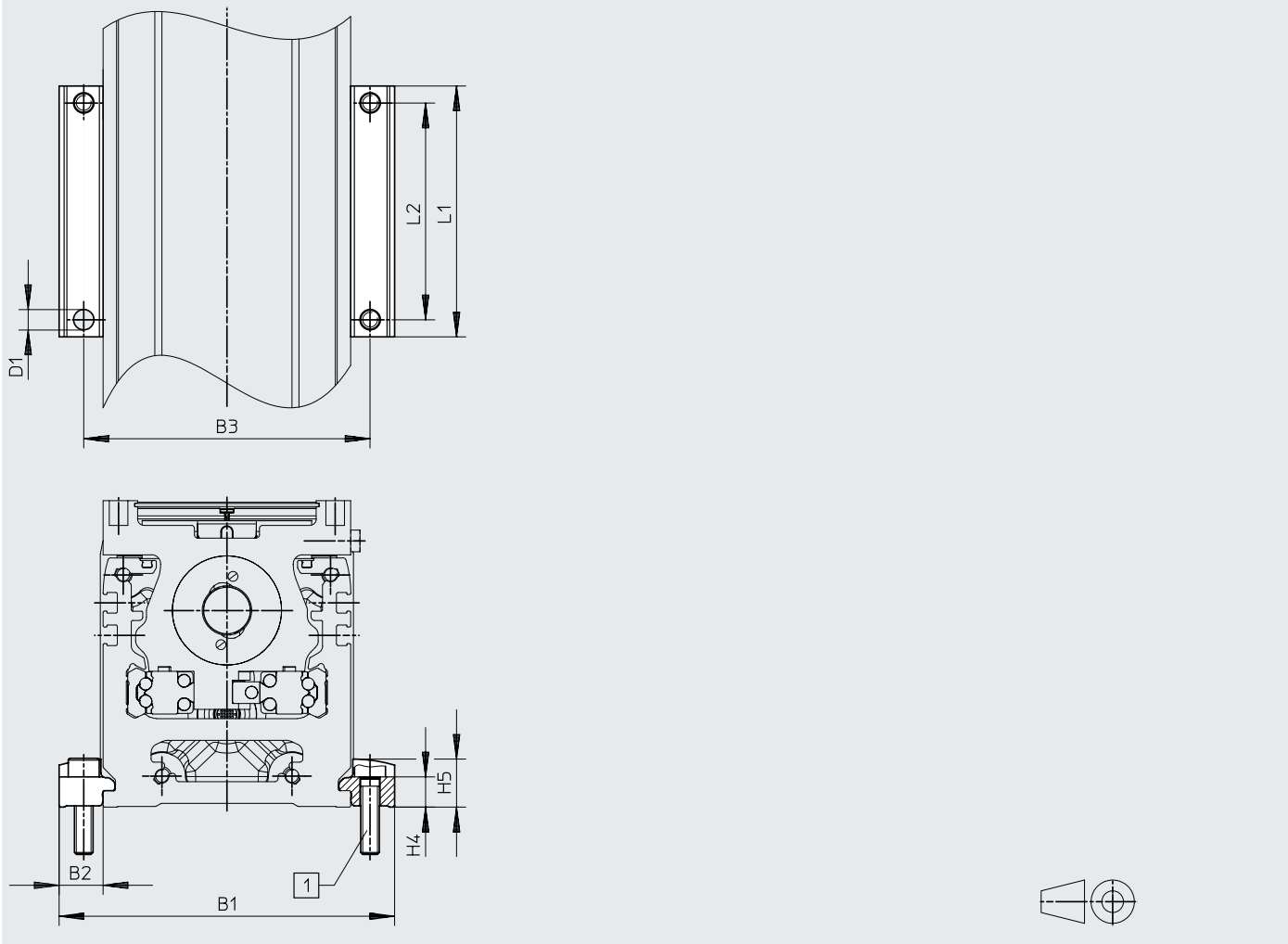


		B1	B2	B3	D1	H4	H5	L1	L2
EAHF-E24-60-P	ELGD-BS-60	88.4	14.2	72.5	6.6	9.8	15.5	70	40
	ELGD-BS-80	108.4	14.2	92.5	6.6	9.8	15.5	70	40

Datasheet

Dimensions – Profile mounting EAHF-E24-60-P-D

Download CAD data → www.festo.com

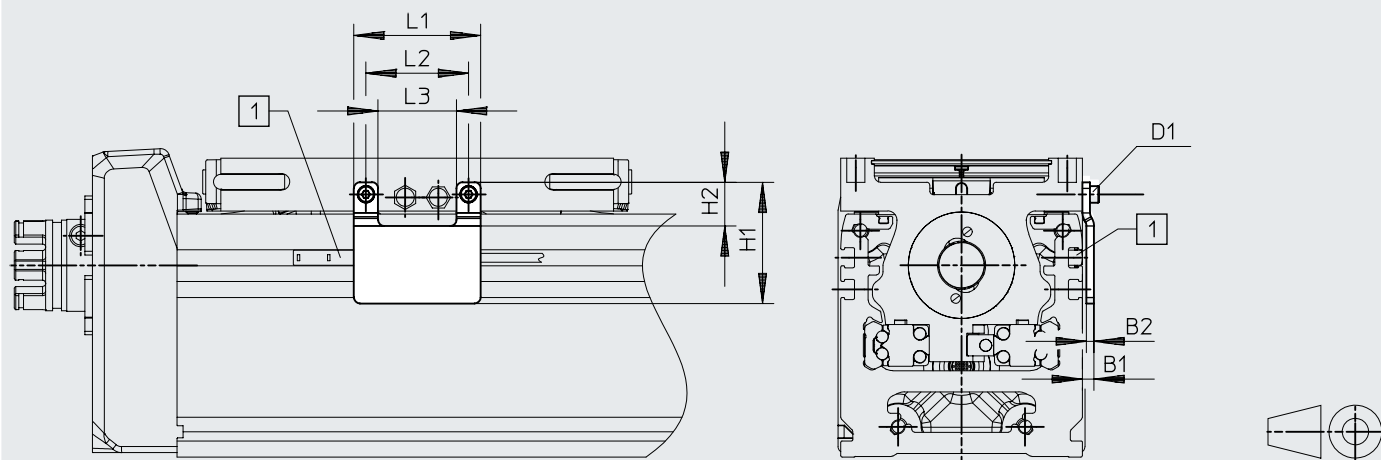


		B1	B2	B3	D1 ∅ H13	H4 ±0.1	H5	L1	L2
EAHF-E24-60-P-D5	ELGD-BS-60	88.4	14.2	72.5	5.5	9.8	15.5	62	52.5
EAHF-E24-60-P-D4	ELGD-BS-80	108.4	14.2	92.5	6.6	9.8	15.5	81	70

Datasheet

Dimensions – Switch lug EAPM-E24-60-SLS

Download CAD data → www.festo.com



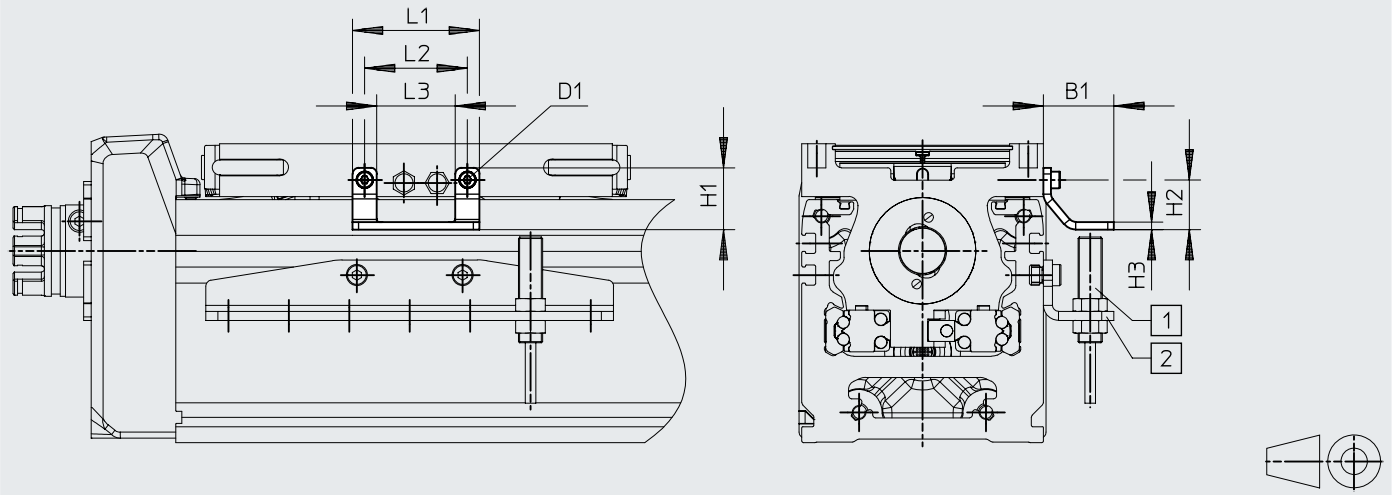
[1] Sensor slot for proximity switch SIES-8M

		B1	B2	D1	H1	H2	L1	L2	L3
EAPM-E24-60-SLS	ELGD-BS-60	3.8	2.5	M3 x8	40.2	14.5	42	34	26
	ELGD-BS-80								

Datasheet

Dimensions – Switch lug EAPM-E24-...-SLE

Download CAD data → www.festo.com



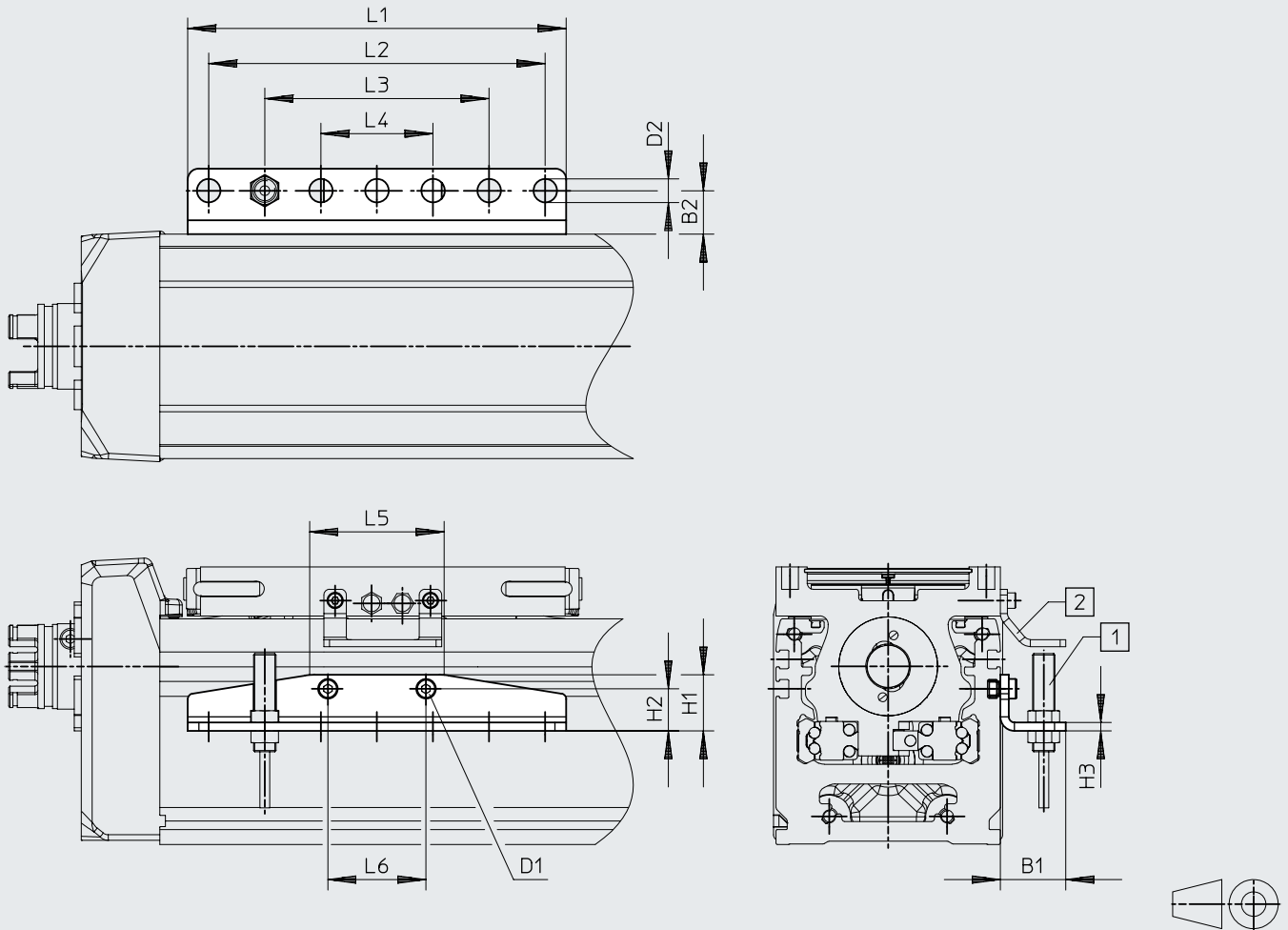
- [1] Proximity switch SIEN-M8
- [2] Sensor bracket EAPM-E24-60-SHE

		B1	D1	H1	H2	H3	L1	L2	L3
EAPM-E24-60-SLE	ELGD-BS-60	23.4	M3	20.5	16.5	2.5	42	34	26
	ELGD-BS-80								

Datasheet

Dimensions – Sensor bracket EAPM-E24-60-SHE

Download CAD data → www.festo.com



- [1] Proximity switch SIEN-8M
- [2] Switch lug EAPM-E24-60-SLE

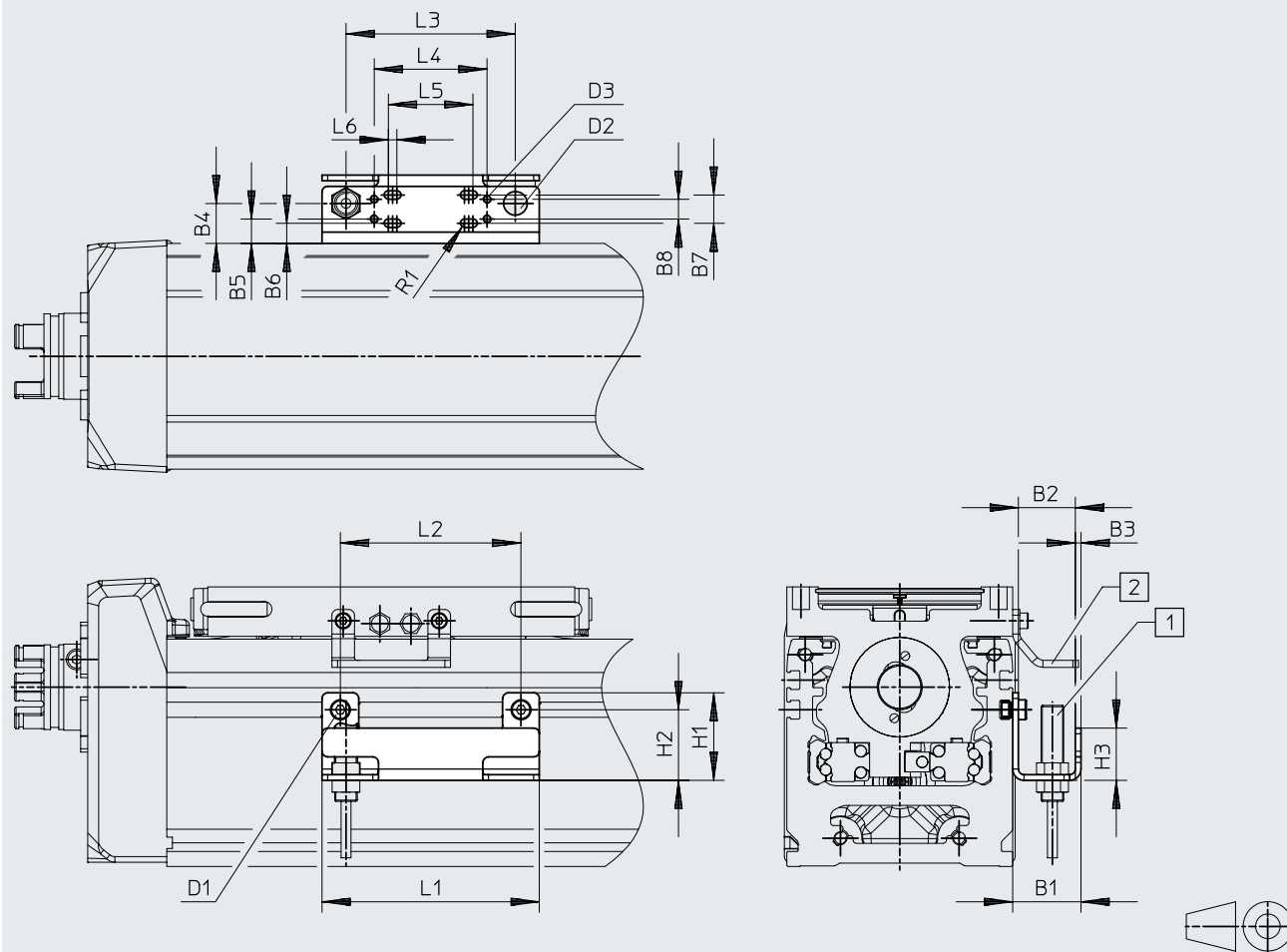
		B1	B2	D1	D2	H1	H2	H3
		±0.3			∅ H13	±0.3		
EAPM-E24-60-SHE	ELGD-BS-60	23.4	15.5	M4 x 6	8.4	20	15	3
	ELGD-BS-80							

		L1	L2	L3	L4	L5	L6
		±0.2					
EAPM-E24-60-SHE	ELGD-BS-60	135	120	80	40	48	35
	ELGD-BS-80						

Datasheet

Dimensions – Sensor bracket EAPM-E24-60-SHO

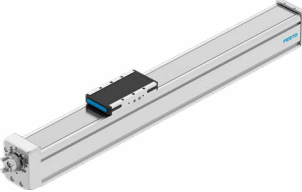
Download CAD data → www.festo.com



- [1] Inductive sensor (Omron)
- [2] Switch lug EAPM-E24-60-SLE

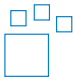
		B1	B2	B3	B4	B5	B6	B7
EAPM-E24-60-SHO	ELGD-BS-60	24.2	20.2	2	14.1	8.6	7.1	10
	ELGD-BS-80							
		B8	D1	D2 ∅	D3	H1	H2	H3
EAPM-E24-60-SHO	ELGD-BS-60	7	M3	8.4	M3	31	25	18.5
	ELGD-BS-80							
		L1	L2	L3	L4	L5	L6	R1
EAPM-E24-60-SHO	ELGD-TB-60	77	64	60	40	24	3	1.5
	ELGD-TB-80							

Datasheet

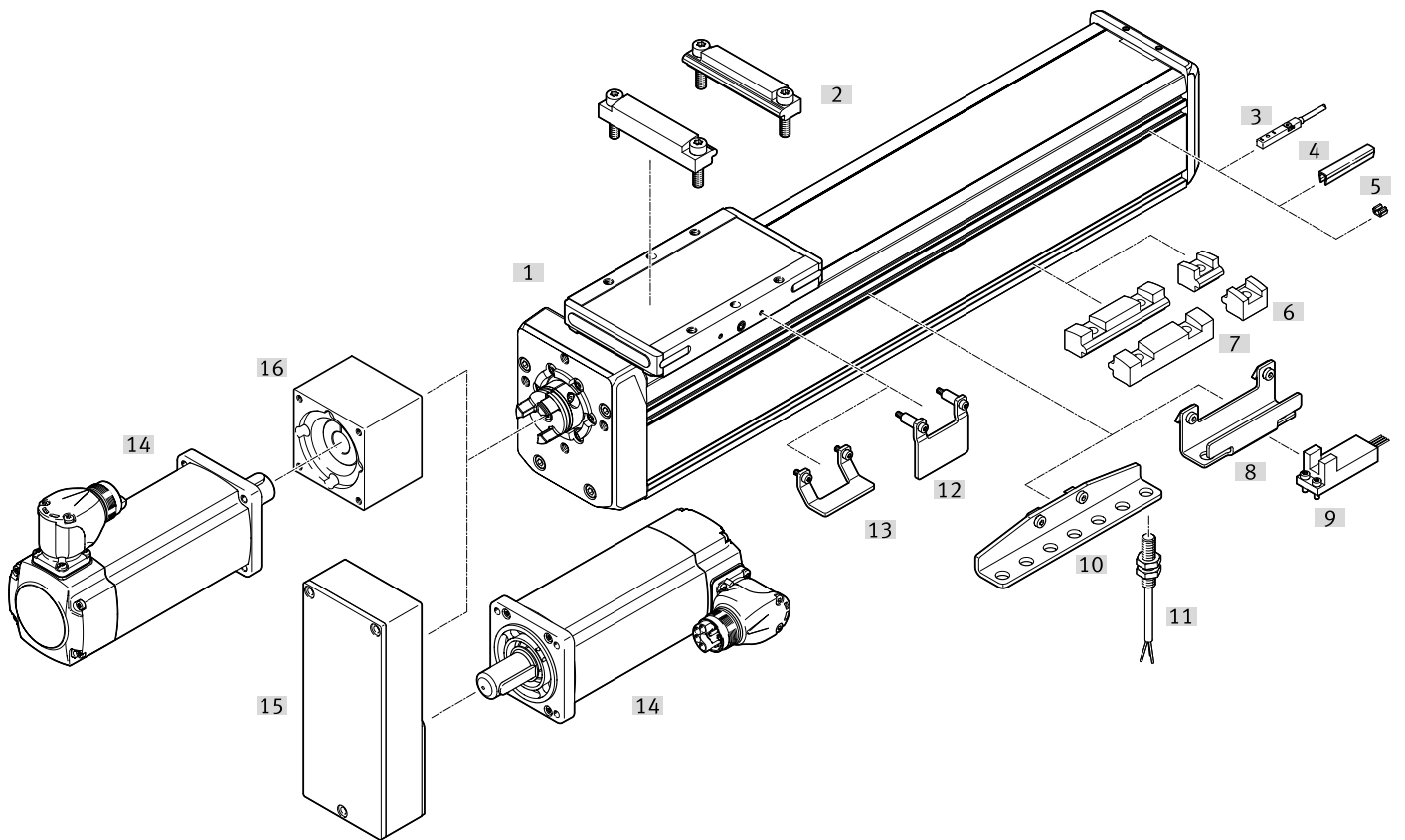
Ordering data	Size	Spindle pitch [mm]	Stroke [mm]	Part no.	Type	
	60	5	100	8192253	ELGD-BS-KF-60-100-0H-5P	
			200	8192254	ELGD-BS-KF-60-200-0H-5P	
			300	8192255	ELGD-BS-KF-60-300-0H-5P	
			400	8192256	ELGD-BS-KF-60-400-0H-5P	
			500	8192257	ELGD-BS-KF-60-500-0H-5P	
			600	8192258	ELGD-BS-KF-60-600-0H-5P	
			800	8192259	ELGD-BS-KF-60-800-0H-5P	
		10	100	8192260	ELGD-BS-KF-60-100-0H-10P	
			200	8192261	ELGD-BS-KF-60-200-0H-10P	
			300	8192262	ELGD-BS-KF-60-300-0H-10P	
			400	8192263	ELGD-BS-KF-60-400-0H-10P	
			500	8192264	ELGD-BS-KF-60-500-0H-10P	
			600	8192265	ELGD-BS-KF-60-600-0H-10P	
			800	8192266	ELGD-BS-KF-60-800-0H-10P	
	80	5	100	8192267	ELGD-BS-KF-80-100-0H-5P	
			200	8192268	ELGD-BS-KF-80-200-0H-5P	
			300	8192269	ELGD-BS-KF-80-300-0H-5P	
			400	8192270	ELGD-BS-KF-80-400-0H-5P	
			500	8192271	ELGD-BS-KF-80-500-0H-5P	
			600	8192272	ELGD-BS-KF-80-600-0H-5P	
			800	8192273	ELGD-BS-KF-80-800-0H-5P	
			1000	8192274	ELGD-BS-KF-80-1000-0H-5P	
			10	100	8192275	ELGD-BS-KF-80-100-0H-10P
				200	8192276	ELGD-BS-KF-80-200-0H-10P
				300	8192277	ELGD-BS-KF-80-300-0H-10P
				400	8192278	ELGD-BS-KF-80-400-0H-10P
				500	8192279	ELGD-BS-KF-80-500-0H-10P
				600	8192280	ELGD-BS-KF-80-600-0H-10P
800		8192281		ELGD-BS-KF-80-800-0H-10P		
1000		8192282		ELGD-BS-KF-80-1000-0H-10P		
20		100		8192283	ELGD-BS-KF-80-100-0H-20P	
		200		8192284	ELGD-BS-KF-80-200-0H-20P	
		300	8192285	ELGD-BS-KF-80-300-0H-20P		
		400	8192286	ELGD-BS-KF-80-400-0H-20P		
		500	8192287	ELGD-BS-KF-80-500-0H-20P		
		600	8192288	ELGD-BS-KF-80-600-0H-20P		
		800	8192289	ELGD-BS-KF-80-800-0H-20P		
		1000	8192290	ELGD-BS-KF-80-1000-0H-20P		

Ordering data – Modular product system

More information → [elgd-bs](#)

	Size	Stroke [mm]	Part no.	Type
	60	50 ... 1000	8176874	ELGD-BS-KF-60-...
	80	50 ... 2000	8176875	ELGD-BS-KF-80-...

Peripherals overview

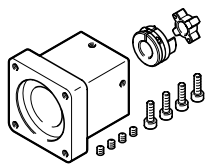


Peripherals overview

Accessories			
	Type	Description	→ Page/Internet
[1]	Spindle axis ELGD-BS	Electric drive	elgd-bs
[2]	Profile mounting EAHF-E24-...-D...	For axis/axis mounting with adapter plate	26
[3]	Proximity switch, T-slot SIES-8M	Inductive proximity switch, for T-slot	27
[4]	Slot cover ABP-S	For protection against contamination	27
[5]	Clip SMBK	For mounting the proximity switch cable in the slot	27
[6]	Profile mounting EAHF-E24-...-S	For mounting the axis on the side of the profile	26
[7]	Profile mounting EAHF-E24-...	For mounting the axis on the side of the profile	26
[8]	Sensor bracket EAPM-E24-SHO	For mounting third-party sensors on the axis	27
[9]	Sensor OMRON	Third-party sensor OMRON, EE-SX674 series	-
[10]	Sensor bracket EAPM-E24-SHE	For mounting the inductive proximity switches SIEN-M8 (round design) on the axis	26
[11]	Proximity switch, M8 SIEN-M8	Inductive proximity switch, round design	27
[12]	Switch lug EAPM-E24-SLS	For sensing the slide position via inductive proximity switch SIES-8M or for optical sensors (Omron) with sensor bracket EAPM-E24-SHO	26
[13]	Switch lug EAPM-E24-SLE	For sensing the slide position via inductive proximity switch SIEN-M8 (round design) and sensor bracket EAPM-E24-SHE	26
[14]	Motor EMMT	Motors and kits specially matched to the axis Detailed information: www.festo.com/catalogue/eamm Engineering tool: www.festo.com/x/electric-motion-sizing	emmt
[15]	Parallel kit EAMM	For parallel motor mounting	eammm-u
[16]	Axial kit EAMM	For axial motor mounting	eammm-a

Accessories

Permissible axis/motor combinations for axial and parallel assembly kits



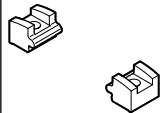
Below are the links where you can find all the information about:

- Axis/motor combinations
- Permissible external motors
- Technical data
- Dimensions

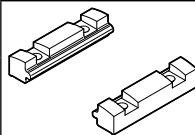
For axial assembly kits → Internet: [eamm-a](#)

For parallel assembly kits → Internet: [eamm-u](#)

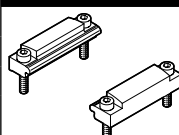
Profile mounting EAHF-E24-...-P-S

	Description	Material	Product weight	Part no.	Type
	For size 60, 80	Anodised wrought aluminium alloy	18 g	8197128	EAHF-E24-60-P-S

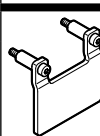
Profile mounting EAHF-E24-...-P

	Description	Material	Product weight	Part no.	Type
	For size 60, 80	Anodised wrought aluminium alloy	71 g	8197132	EAHF-E24-60-P

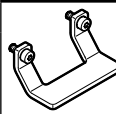
Profile mounting EAHF-E24-...-P-D...

	Description	Material	Product weight	Part no.	Type
	ELGD-60 to ELGD-60	Anodised wrought aluminium alloy	87 g	8197131	EAHF-E24-60-P-D5
	ELGD-60 to ELGD-80		119 g	8197129	EAHF-E24-60-P-D4
	ELGD-80 to ELGD-100		133 g	8197130	EAHF-E24-60-P-D6

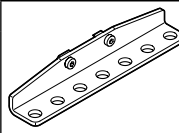
Switch lug EAPM-E24-...-SLS

	Description	Material	Product weight	Part no.	Type
	For size 60, 80	Steel	32 g	8197117	EAPM-E24-60-SLS

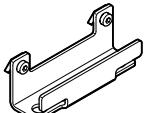
Switch lug EAPM-E24-...-SLE

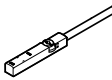
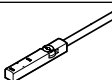
	Description	Material	Product weight	Part no.	Type
	For size 60, 80	Steel	20 g	8197116	EAPM-E24-60-SLE

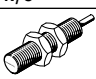

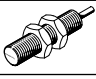
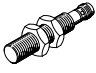
Sensor bracket EAPM-E24-...-SHE

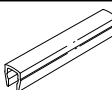
	Description	Material	Product weight	Part no.	Type
	For size 60, 80	Steel	103 g	8197123	EAPM-E24-60-SHE

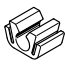
Accessories

Sensor bracket EAPM-E24-...-SHO						
	Description	Material	Product weight	Part no.	Type	
	For size 60, 80	Steel	67 g	8197121	EAPM-E24-60-SHO	

Proximity switch for T-slot, inductive							Datasheets → Internet: sies
	Type of mounting	Switching output	Electrical connection	Cable length [m]	Part no.	Type	
N/O							
	Inserted in the slot from above, flush with the cylinder profile	PNP	Cable, 3-wire	7.5	551386	SIES-8M-PS-24V-K-7.5-OE	
			Plug M8 x 1, 3-pin	0.3	551387	SIES-8M-PS-24V-K-0.3-M8D	
		NPN	Cable, 3-wire	7.5	551396	SIES-8M-NS-24V-K-7.5-OE	
			Plug M8 x 1, 3-pin	0.3	551397	SIES-8M-NS-24V-K-0.3-M8D	
N/C							
	Inserted in the slot from above, flush with the cylinder profile	PNP	Cable, 3-wire	7.5	551391	SIES-8M-PO-24V-K-7.5-OE	
			Plug M8 x 1, 3-pin	0.3	551392	SIES-8M-PO-24V-K-0.3-M8D	
		NPN	Cable, 3-wire	7.5	551401	SIES-8M-NO-24V-K-7.5-OE	
			Plug M8 x 1, 3-pin	0.3	551402	SIES-8M-NO-24V-K-0.3-M8D	

Proximity switch M8 (round design), inductive							Datasheets → Internet: sien
	Switching output	Electrical connection	Cable length [m]	Part no.	Type		
N/O							
	PNP	Cable, 3-wire	2.5	150386	SIEN-M8B-PS-K-L		
	NPN		2.5	150384	SIEN-M8B-NS-K-L		
	PNP	Plug M8 x 1, 3-pin	–	150387	SIEN-M8B-PS-S-L		
	NPN		–	150385	SIEN-M8B-NS-S-L		
N/C							
	PNP	Cable, 3-wire	2.5	150390	SIEN-M8B-PO-K-L		
	NPN		2.5	150388	SIEN-M8B-NO-K-L		
	PNP	Plug M8 x 1, 3-pin	–	150391	SIEN-M8B-PO-S-L		
	NPN		–	150389	SIEN-M8B-NO-S-L		

Slot cover ABP-5-S1						
	Description	Material	Pack size	Product weight	Part no.	Type
	For size 60, 80	ABS	2 every 0.5 m	13 g	563360	ABP-5-S1

Clip SMBK						
	Description	Pack size	Product weight	Part no.	Type	
	For size 60, 80	10	1g	534254	SMBK-8	