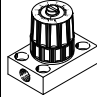



Precision flow control valves GRPO



Precision flow control valves GRPO

Product range overview and type codes

Product range overview									
Version	Valve function	Version	Type	Connection direction	Pneumatic connection 2	Pneumatic connection 1	qnN ¹⁾ [l/min]	Adjustment component	→ Page/Internet
Precision flow control valve	Metal Flow control function		GRPO	-	G ¹ / ₈	G ¹ / ₈	40.7 ... 75.8	Rotary knob with scale	3
				-	PK-3, PK-4	PK-3, PK-4	3.8 ... 75.8	Rotary knob with scale	

1) Standard nominal flow rate in direction of flow control.

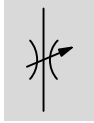
Type codes

		GRPO	-	70	-	1/8	-	AL
Type								
GRPO	Precision flow control valve							
Size								
10, 70, 160								
Pneumatic connection 1, 2								
Size 70, 160								
1/8	Thread G ¹ / ₈							
Size 10, 70								
PK-3	Push-in connector for tubing with 3 mm I.D.							
Size 160								
PK-4	Push-in connector for tubing with 4 mm I.D.							
Sub-base material								
Thread G ¹ / ₈								
AL	Wrought aluminium alloy							

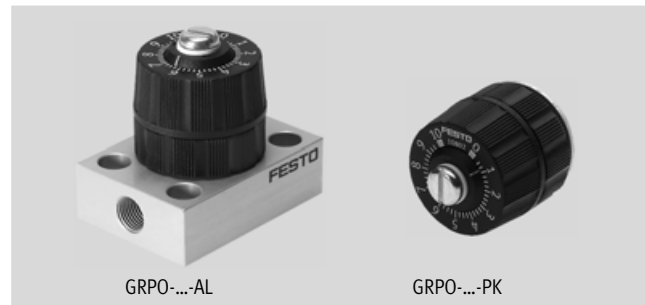
Precision flow control valves GRPO

Technical data

Function



- - Flow rate
3.8 ... 75.8 l/min
- - Temperature range
-10 ... +50 °C
- - Operating pressure
0 ... 8 bar



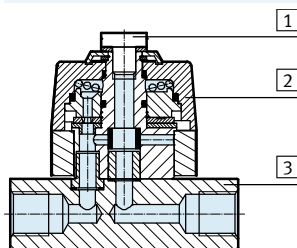
General technical data			
Valve function	Flow control function		
Type	GRPO-...-AL	GRPO-...-PK	
Pneumatic connection 1	G $\frac{1}{8}$	PK-3	PK-4
Pneumatic connection 2	G $\frac{1}{8}$	PK-3	PK-4
Adjustment component	Rotary knob with scale		
Actuation type	Manual		
Type of mounting	On sub-base	Front panel mounting	
Mounting position	Any		

Note: This product conforms to ISO 1179-1 and to ISO 228-1

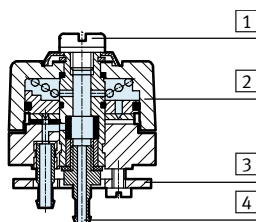
Operating and environmental conditions	
Operating pressure [bar]	0 ... 8
Operating pressure 2 → 1 [bar]	0 ... 0.5
Operating medium	Compressed air in accordance with ISO 8573-1:2010 [5:4:3] Inert gases
Note on operating/pilot medium	Operation with lubricated medium not possible
Ambient temperature [°C]	-10 ... +50
Temperature of medium [°C]	-10 ... +50

Materials

Sectional view



Precision flow control valve GRPO-...-AL	
1	Screws Steel
2	Housing PA, reinforced
3	Sub-base Wrought aluminium alloy
-	Seals NBR, PVC
Note on materials	RoHS-compliant Contains PWIS (paint-wetting impairment substances)



Precision flow control valve GRPO-...-PK	
1	Screws Steel
2	Housing PA, reinforced
3	Retainer Wrought aluminium alloy
4	PK connections Brass, wrought aluminium alloy
-	Seals NBR, PVC
Note on materials	RoHS-compliant Contains PWIS (paint-wetting impairment substances)

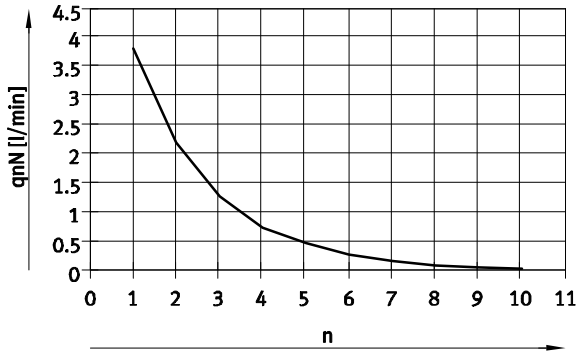
Precision flow control valves GRPO

Technical data



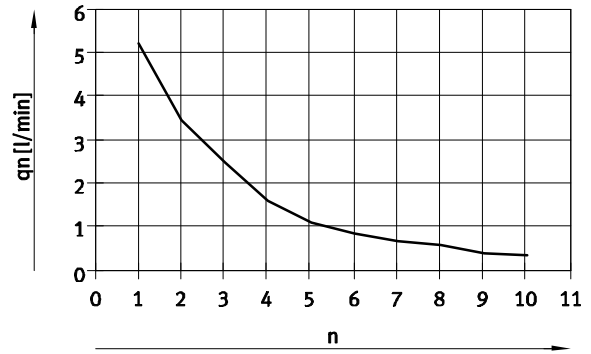
Standard nominal flow rate q_{nN} at 6 bar \rightarrow 5 bar
as a function of spindle rotations n

Size 10

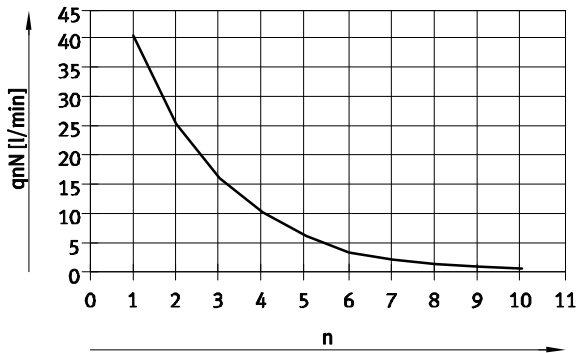


Standard flow rate q_n at 6 bar \rightarrow 0 bar
as a function of spindle rotations n

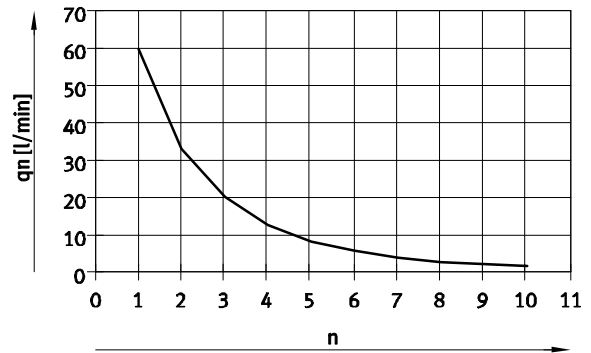
Size 10



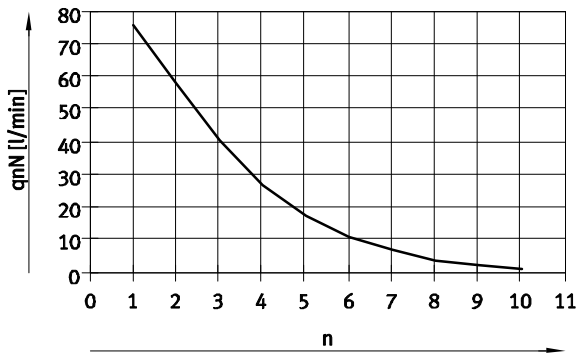
Size 70



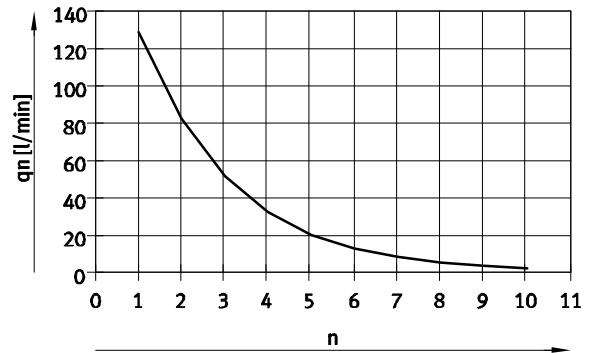
Size 70



Size 160



Size 160

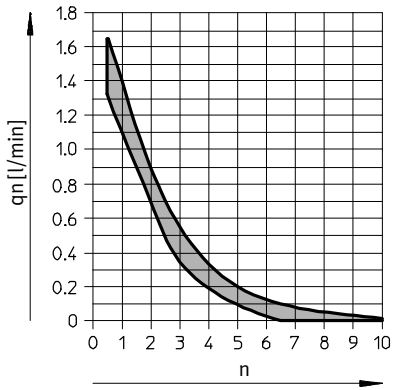


Precision flow control valves GRPO

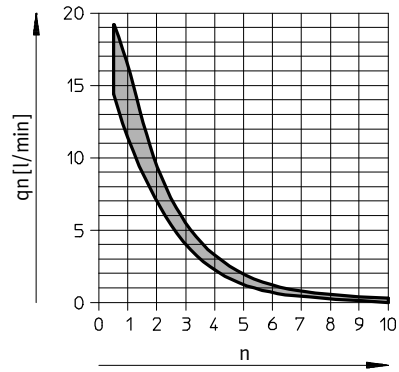
Technical data

Standard flow rate q_n at 1 bar \rightarrow 0 bar as a function of spindle rotations n

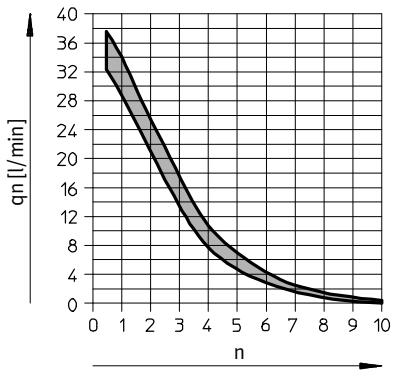
Size 10



Size 70



Size 160



Precision flow control valves GRPO

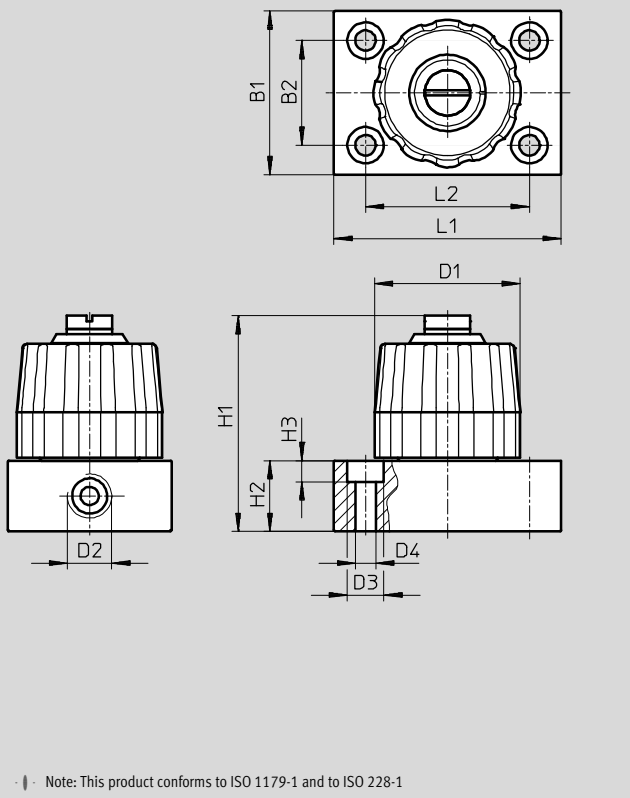
Technical data

FESTO

Dimensions

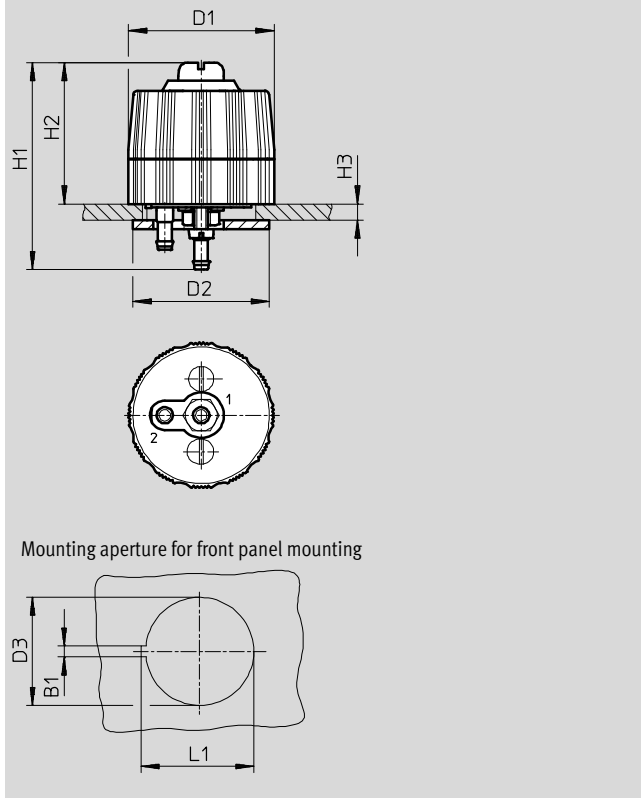
Download CAD data → www.festo.com

GRPO-...-AL



Note: This product conforms to ISO 1179-1 and to ISO 228-1

GRPO-...-PK



Type	Connection D2	B1	B2	D1	D3
GRPO-70-1/8-AL	G1/8	36	23	32	8
GRPO-160-1/8-AL					

Type	B1	D1	D2	D3
GRPO-10/70-PK-3	2.6	32	30	22
GRPO-160-PK-4				

Type	D4	H1	H2	H3	L1	L2
GRPO-70-1/8-AL	4.5	47.4	15.5	4.6	50	36
GRPO-160-1/8-AL						

Type	H1	H2	H3	L1
GRPO-10/70-PK-3	45.6	31.2	1.5 ... 10	23.5
GRPO-160-PK-4	44.5			

Ordering data

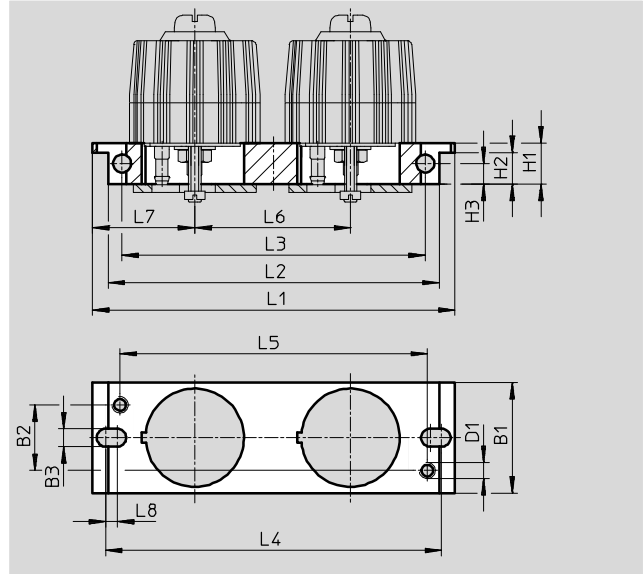
	Pneumatic connection		Standard nominal flow rate q _N at 6 bar → 5 bar In direction of flow control [l/min]	Standard flow rate q _n at 6 bar → 0 bar In direction of flow control [l/min]	Standard flow rate q _n at 1 bar → 0 bar In direction of flow control [l/min]	Weight [g]	Part No.	Type
	1	2						
Rotary knob with scale								
	G1/8	G1/8	40.7	60	19	110	542024	GRPO-70-1/8-AL
				75.8	129	38	110	542025
	PK-3	PK-3	3.8	5.2	1.65	48	13229	GRPO-10-PK-3
				40.7	60	19	48	10803
	PK-4	PK-4	75.8	129	38	48	13230	GRPO-160-PK-4

Precision flow control valves GRPO

Accessories

Mounting plates APL-2N-GRP
for precision flow control valve
GRPO-...-PK

Material: PA



Dimensions														
B1	B2	B3	D1	H1	H2	H3	L1	L2	L3	L4	L5	L6	L7	L8
26.8	16	4.4	M4	10	7.7	5	88.5	80.8	74	81	75	38	25	2.3

Ordering data			
	Bore Ø [mm]	Weight [g]	Part No. Type
	22	16	10391 APL-2N-GRP
	2 x 22	22	10392 APL-2N-GRPX2

Festo - Your Partner in Automation



1 Festo Inc.
5300 Explorer Drive
Mississauga, ON L4W 5G4
Canada

Festo Customer Interaction Center
Tel: 1 877 463 3786
Fax: 1 877 393 3786
Email: customer.service.ca@festo.com

2 Festo Pneumatic
Av. Ceylán 3,
Col. Tequesquináhuac
54020 Tlalnepantla,
Estado de México

Multinational Contact Center
01 800 337 8669
ventas.mexico@festo.com

3 Festo Corporation
1377 Motor Parkway
Suite 310
Islandia, NY 11749

Festo Customer Interaction Center
1 800 993 3786
1 800 963 3786
customer.service.us@festo.com

4 Regional Service Center
7777 Columbia Road
Mason, OH 45040

Connect with us



www.festo.com/socialmedia



www.festo.com

Subject to change