

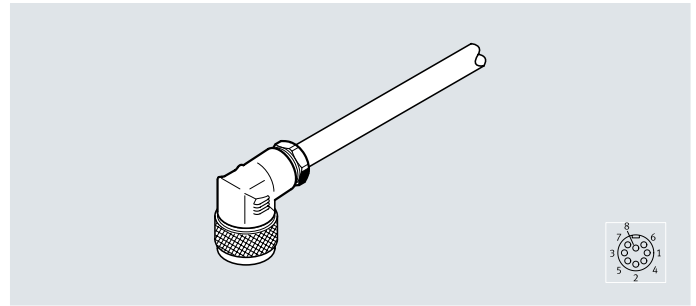
Product range overview

Function	Design	Type	Connection technology (Electrical connection 2)	Cable characteristic	Length	→ Page/ Internet
Electrical connection 1 socket	M16					
	8-pin	KMPPE	Open cable end	Standard	2.5 m 5 m	2

Datasheet

Connecting cable KMPPE

- Connecting cable for proportional-pressure regulators MPPES
- Pre-assembled at one end
- Angled socket
- Cable lengths 2.5 m or 5 m
- 8 wires
- M16x0.75 socket, 8-pin



General technical data

Conforms to	DIN 47100
Cable designation	Via accessories
Contact durability	500

Technical data – Electrical connection 1

Function	Field device side
Connection type	Socket
Cable outlet	Angled
Design	Round
Connection technology	M16x0.75 according to EN 61076-2-106
Number of pins/wires	8
Assigned pins/wires	8
Type of mounting	Screw-type lock

Technical data – Electrical connection 2

Function	Controller side
Connection type	Cable
Connection technology	Open end
Number of pins/wires	8
Assigned pins/wires	8
Wire ends	Cut off bluntly

Technical data – Electrics

Operating voltage range	[V DC]	0 ... 30
Acceptable current load at 40°C	[A]	5
Surge resistance	[kV]	0.6
Pollution degree		1

Technical data – Cable

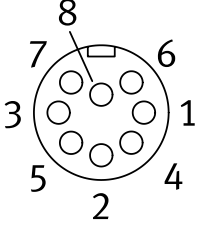
Cable diameter	[mm]	6.8
Cable characteristic		Standard
Test conditions, cable		Test conditions according to request
Cable composition	[mm ²]	4x0.25
		Shielded
Conductor nominal cross section	[mm ²]	0.25

Datasheet

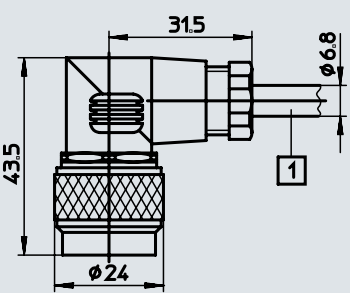
Materials	
Housing	PA
Screw-type lock	PA
Cable sheath	PVC
Cable sheath colour	Grey
Note on materials	RoHS-compliant
LABS (PWIS) conformity	VDMA24364-B1/B2-L

Operating and environmental conditions	
Ambient temperature [°C]	-30 ... +80
Ambient temperature with flexible cable installation [°C]	-5 ... +70
Degree of protection	IP67
Note on degree of protection	In mounted state
CE marking (see declaration of conformity) ¹⁾	To EU RoHS Directive
UKCA marking (see declaration of conformity) ¹⁾	To UK RoHS regulations

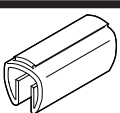
1) For information about the area of use, see the EC declaration of conformity at: www.festo.com/catalogue/... → Support/Downloads.
If the devices are subject to usage restrictions in residential, commercial or light-industrial environments, further measures for the reduction of the emitted interference may be necessary.

Circuitry (socket/plug view)				
Electrical connection 1	Pin	Wire colour ¹⁾	Pin	Electrical connection 2
	1	WH	-	-
	2	BN	-	-
	3	GN	-	-
	4	YE	-	-
	5	GY	-	-
	6	PK	-	-
	7	RD	-	-
	8	BU	-	-
	n.c.	Shielding	-	-

1) To IEC 757

Dimensions		Download CAD data → www.festo.com
	[1] Cable, length 2.5 m or 5 m depending on the order	

Ordering data					
Electrical connection		Cable length [m]	Weight [g]	Part no.	Type
Connection 1	Connection 2				
M16x0.75 socket, 8-pin	Open end, 8-core	2.5	243	161879	KMPPE-B-2.5
		5	459	161878	KMPPE-B-5

Ordering data – Accessories				
			Part no.	Type
	Inscription labels for attachment to a cable with diameter 5 ... 8 mm	11x20 mm	33361	KM-BZ

Festo - Your Partner in Automation



1 Festo Inc.
5300 Explorer Drive
Mississauga, ON L4W 5G4
Canada

Festo Customer Interaction Center
Tel: 1 877 463 3786
Fax: 1 877 393 3786
Email: customer.service.ca@festo.com



2 Festo Pneumatic
Av. Ceylán 3,
Col. Tequesquináhuac
54020 Tlalnepantla,
Estado de México

Multinational Contact Center
01 800 337 8669
ventas.mexico@festo.com



3 Festo Corporation
1377 Motor Parkway
Suite 310
Islandia, NY 11749

Festo Customer Interaction Center
1 800 993 3786
1 800 963 3786
customer.service.us@festo.com



4 Regional Service Center
7777 Columbia Road
Mason, OH 45040

Connect with us



www.festo.com/socialmedia



www.festo.com

Subject to change