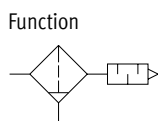





Filter silencer LFU

FESTO



Datasheet



-  - Flow rate
4000 ... 12500 l/min
-  - Temperature range
-10 ... +60°C
-  - Operating pressure
0 ... 1.6 MPa



The filter silencer cleans the collected exhaust air from pneumatic control systems.

The exhaust air escapes into the atmosphere via a fine filter insert (filter efficiency >99.99%).

At the same time, the noise from the exhaust air is greatly reduced. Any condensate is collected in the plastic bowl underneath and can be drained off via the condensate drain.

- Removes up to 99.99% of oil and other contaminants from the exhaust air
- The silencer reduces the exhaust noise regardless of frequency

General technical data				
Size	G1/4	G3/8	G1/2	G1
Pneumatic connection	G1/4	G3/8	G1/2	G1
Mounting position	Vertical ±5°			
Grade of filtration [µm]	1			
Condensate drain	Manual			
Flow rate with respect to atmosphere ¹⁾ [l/min]	≥4000	≥4700	6000	12500
Noise level	78 dB(A)		-	
Noise reduction ¹⁾	Reduction by 40 dB(A)		-	

1) At 0.6 MPa with respect to atmosphere.
 † Note: This product conforms to ISO 1179-1 and ISO 228-1.

Operating and environmental conditions				
Size	G1/4	G3/8	G1/2	G1
Operating pressure	[MPa]	0 ... 1.6		
	[bar]	0 ... 16		
	[psi]	0 ... 232		
Operating medium	Compressed air to ISO 8573-1:2010 [7:4:4]			
Note on the operating/pilot medium	Lubricated operation possible (in which case lubricated operation will always be required)			
Ambient temperature [°C]	-10 ... +60		-	
Corrosion resistance class CRC ¹⁾	2 - Moderate corrosion stress		1 - Low corrosion stress	

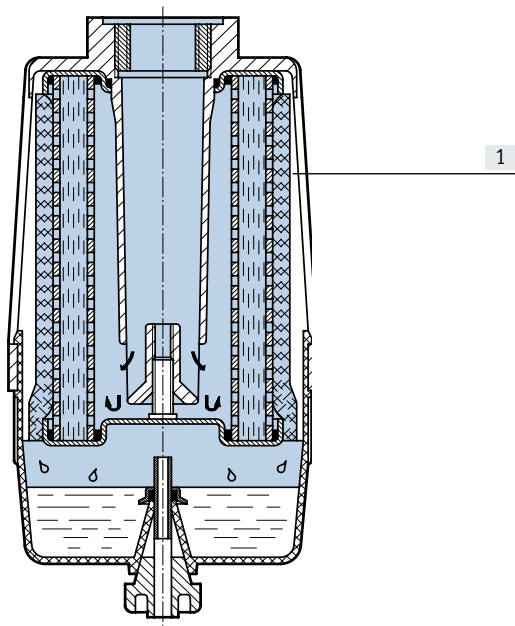
1) More information: www.festo.com/x/topic/crc

Weight [g]				
Size	G1/4	G3/8	G1/2	G1
Filter silencer	190	190	-	-

Datasheet

Materials

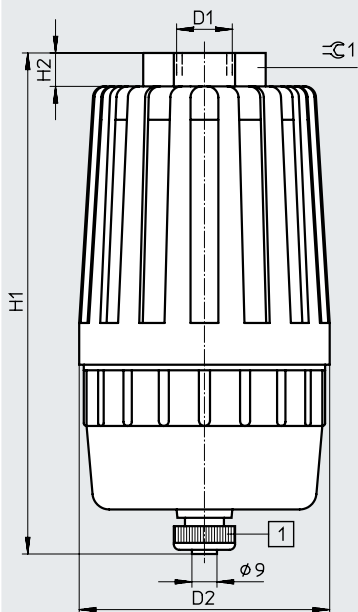
Sectional view



Filter silencer		
[1]	Housing	PP
Note on materials		RoHS-compliant
LABS (PWIS) conformity		VDMA24364-B1/B2-L

Dimensions and ordering data

Download CAD data → www.festo.com



[1] Condensate drain manual

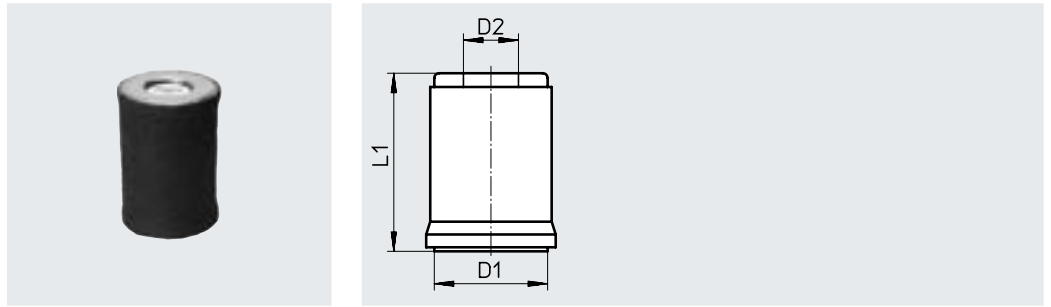
Connection	D1	D2	H1	H2	≙C1	Part no.	Type
G1/4	G1/4	77	131	7	26	539132	LFU-1/4
G3/8	G3/8	77	131	7	26	539133	LFU-3/8
G1/2	G1/2	90	180	12	36	10494	LFU-1/2
G1	G1	110	252	15	50	10495	LFU-1

Note: This product conforms to ISO 1179-1 and ISO 228-1.

Accessories

Filter cartridge LFPU

Note on materials:
RoHS-compliant



Dimensions and ordering data

For connection	D1 ∅	D2 ∅	L1	Part no.	Type
G1/4, G3/8	60	28	69	539134	LFPU-1/4-3/8
G1/2	70	34.8	110	10496	LFPU-1/2
G1	82	42.8	180	10497	LFPU-1