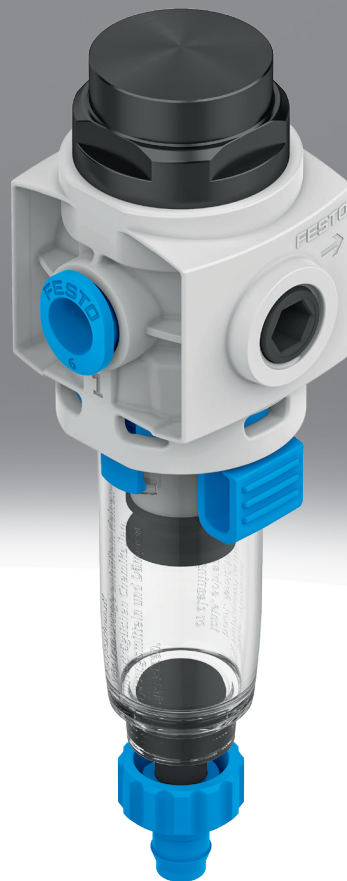


Filter MS2-LF-B

FESTO



Characteristics

At a glance

- Very compact series for use close to the process directly in the machine

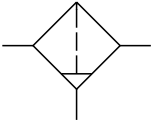
Diagrams

Further information → [ms-lf-b](#)



The diagrams shown in this document are also available online. These can be used to display precise values.

Function



The condensed water present in the supply network is separated by the centrifugal separator. The compressed air is then filtered using a sintered element.

Grade of filtration

The product is available with a grade of filtration of 5 µm.

Condensate drain

The condensate is drained using a manual condensate drain valve.

Special material properties

[F1A] Recommended for production facilities for the manufacture of lithium-ion batteries

Metals with copper, zinc or nickel as the main component are excluded from use. Exceptions are nickel in steels, chemically nickel-plated surfaces, circuit boards, cables, electrical plug connectors and coils

Version

[B] 2nd generation

Basic component with sturdy and lightweight polymer housing. Fully compatible with the MS series.

Type code

001	Series	
MS	MS series	
002	Size	
2	Grid dimension 25 mm	
003	Function	
LF	Filter	
004	Pneumatic connection	
M5	Female thread M5	
QS6	Push-in connector 6 mm	

005	Filter design	
C	5 µm	
006	Condensate drain	
M	Manually	
007	Special material properties	
	None	
F1A	Recommended for production facilities for the manufacture of lithium-ion batteries	
008	Version	
B	2nd generation	

Datasheet

General technical data

Pneumatic connection, port 1	M5	QS-6
Pneumatic connection, port 2	M5	QS-6
Standard nominal flow rate	225 l/min	250 l/min
Size	2	
Design	Sintered filter with centrifugal separator	
Type of mounting	Either:, Front panel mounting, In-line installation, With accessories	
Mounting position	Vertical +/-5°	
Grade of filtration	5 µm	
Condensate drain	Manually rotating	

Operating and environmental conditions

Operating pressure	0.1 ... 1 MPa	
Operating pressure	1 ... 10 bar	
Operating pressure	14.5 ... 145 psi	
Operating medium	Compressed air to ISO 8573-1:2010 [7:4:4], Inert gases	
Ambient temperature	-5 ... 50°C	
Media temperature	-5 ... 50°C	
Storage temperature	-5 ... 50°C	
Corrosion resistance class CRC	1 - Low corrosion stress	

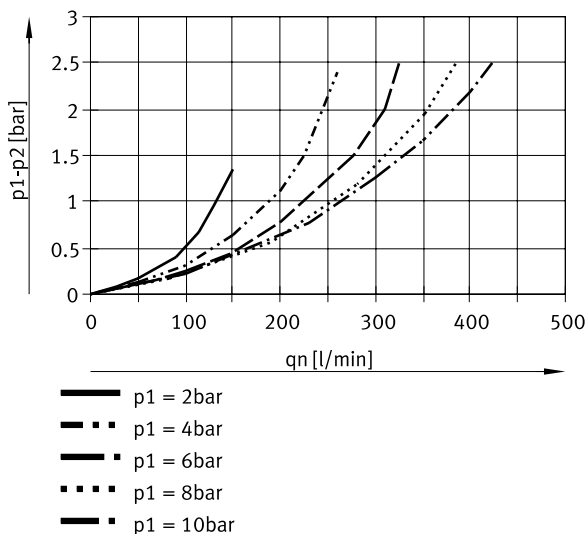
Materials

Material housing	PA-reinforced
Material membrane	NBR
Material spring	High-alloy steel
Material filter	PE
Note on materials	RoHS-compliant
LABS (PWIS) conformity	VDMA24364-B1/B2-L
Air purity class at output	Compressed air to ISO 8573-1:2010 [6:4:4]
Cleanroom class	Class 7 according to ISO 14644-1

Additional material specifications – Products for battery production

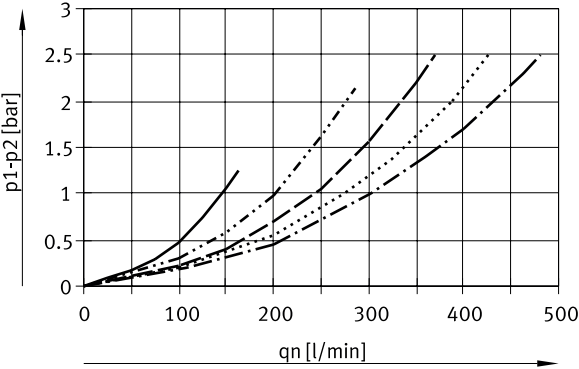
Suitability for the production of Li-ion batteries	Metals with more than 1% by mass of copper, zinc or nickel are excluded from use. Excluded are nickel in steels, chemically nickel-plated surfaces, printed circuit boards, wires, electrical connectors and coils.
--	---

Normal flow rate as a function of differential pressure p1 - p2 (MS2-LF-M5-...-B)



Datasheet

Normal flow rate as a function of differential pressure p1 - p2 (MS2-LF-QS6-...-B)

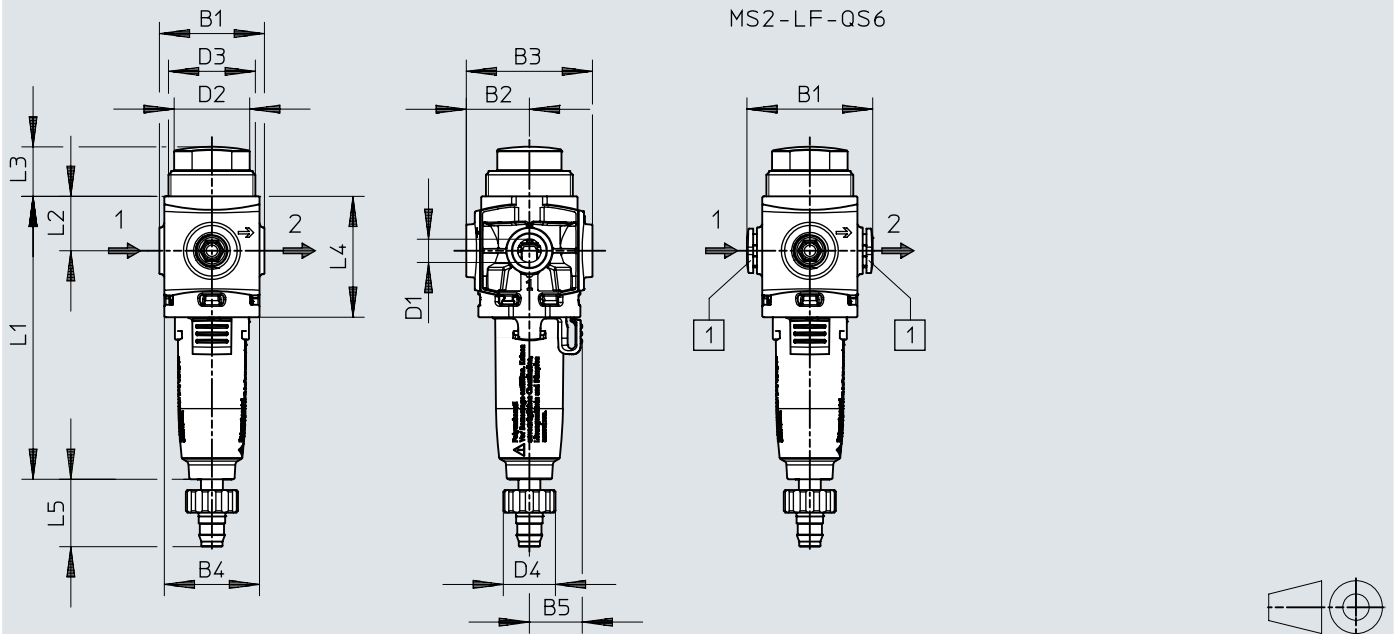


- p1 = 2bar
- · - p1 = 4bar
- · - p1 = 6bar
- · · p1 = 8bar
- · - p1 = 10bar

Dimensions

Dimensions – MS2-LF

Download CAD data → www.festo.com

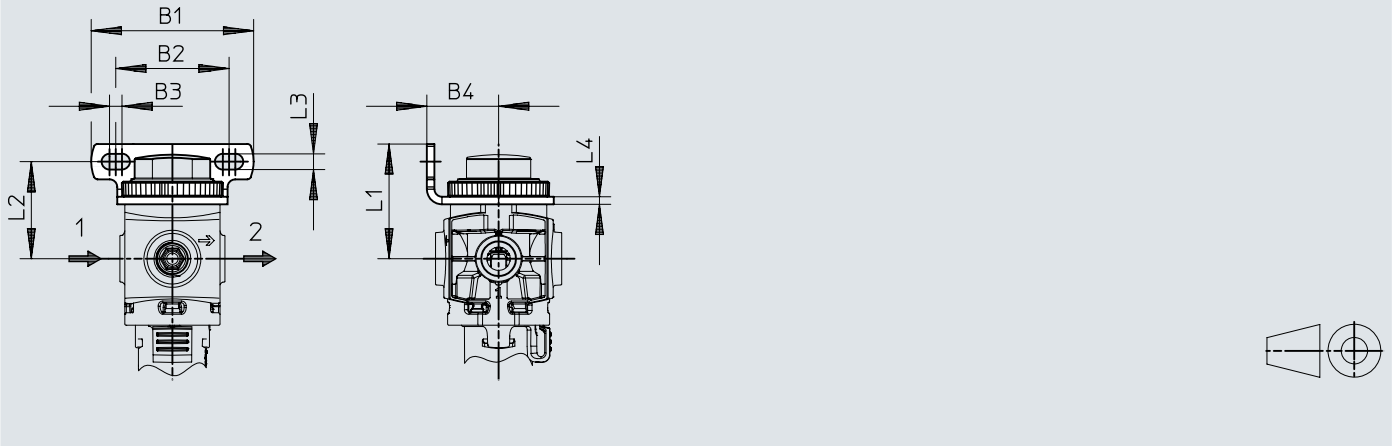


[1] Pneumatic connection QS-6

	B1	B2	B3	B4	B5	D1	D2 ∅	D3 ∅	D4	L1	L2	L3	L4	L5
MS2-LF-M5-C-M-B	28	16,7	33,4	25,2	14	M5	20	M23x1	13,8	74,9	14,4	13,1	32	17,9
MS2-LF-M5-C-M-F1A-B						QS6								
MS2-LF-QS6-C-M-B	33,1													
MS2-LF-QS6-C-M-F1A-B														


Dimensions


Dimensions – Mounting bracket MS...-WR-B

Download CAD data → www.festo.com

	B1 ±0,2	B2	B3	B4	L1	L2	L3 ±0,1	L4
MS2-LF-...-B	43	30	3,3	19	30,4	25,7	4,2	2

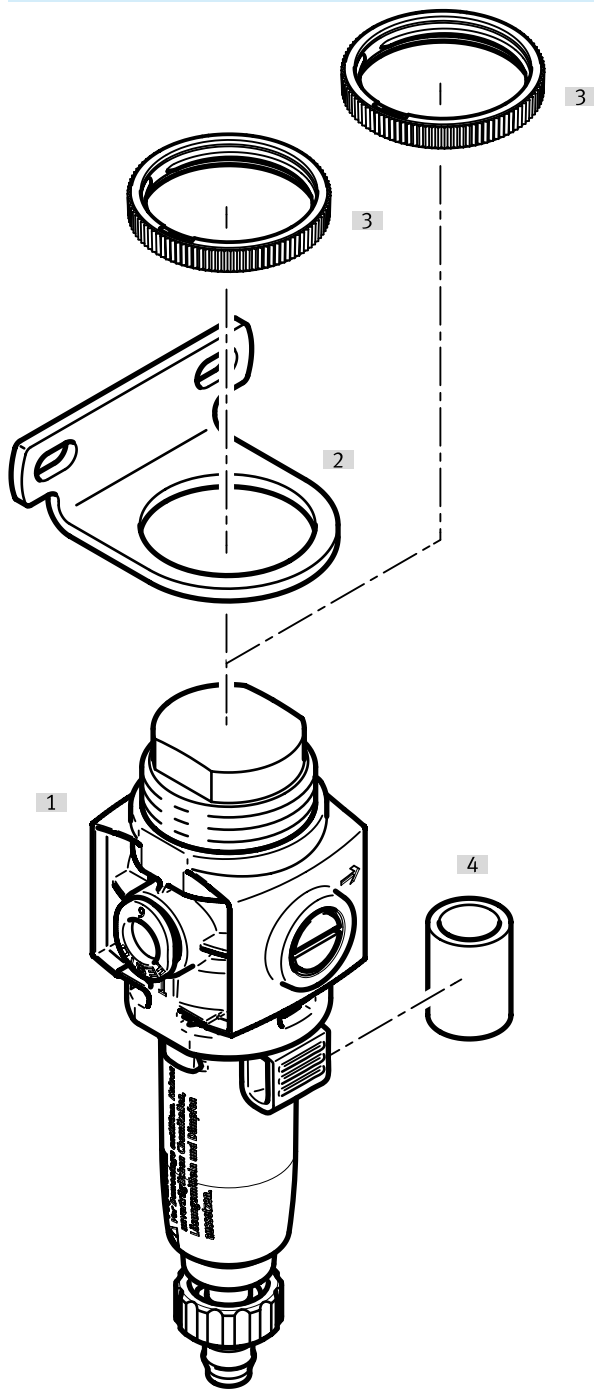
Ordering data

Ordering data					
	Size	Pneumatic connection, port 1	Product weight	Part no.	Type
	2	M5	45.3 g	8183325	MS2-LF-M5-C-M-B
		QS-6	42.1 g	8183324	MS2-LF-QS6-C-M-B

Ordering data – Products for battery production					
	Size	Pneumatic connection, port 1	Product weight	Part no.	Type
	2	M5	45.3 g	8181093	MS2-LF-M5-C-M-F1A-B
		QS-6	42.1 g	8181092	MS2-LF-QS6-C-M-F1A-B

Peripherals overview


Peripherals overview Size 2



Accessories		→ Page/Internet
Type/order code	Description	
[1] Filter MS2-LF...-B		ms-lf-b
[2] Mounting bracket MS2-WR-B	For wall mounting, knurled nut included in scope of delivery	10
[3] Nut MS2-WRS	For front panel mounting	10
[4] Filter cartridge MS2-LFP...		10


Accessories

Mounting bracket MS2-WR-B


	Corrosion resistance class CRC ¹⁾	LABS (PWIS) conformity	Product weight	Part no.	Type
	1	VDMA24364-B2-L	13.8 g	8087978	MS2-WR-B

1) More information www.festo.com/x/topic/kbk

Filter cartridge MS2-LFP..

	Size	LABS (PWIS) conformity	Grade of filtration	Part no.	Type
	Micro	VDMA24364-B1/B2-L	5 µm	526818	MS2/LFP-D-MICRO-5M

Nut MS2-WRS

	Corrosion resistance class CRC ¹⁾	LABS (PWIS) conformity	Product weight	Part no.	Type
	1	VDMA24364-B1/B2-L	0.7 g	8098037	MS2-WRS

1) More information www.festo.com/x/topic/kbk